

1.264 Recitation 9/26-27

Darris Hupp
Sol Bisker



Overview

- Announcements
- UML Lecture Exercises
- Data Models Using Visual Paradigm
- Dreamweaver and IIS
- Homework 3 Questions

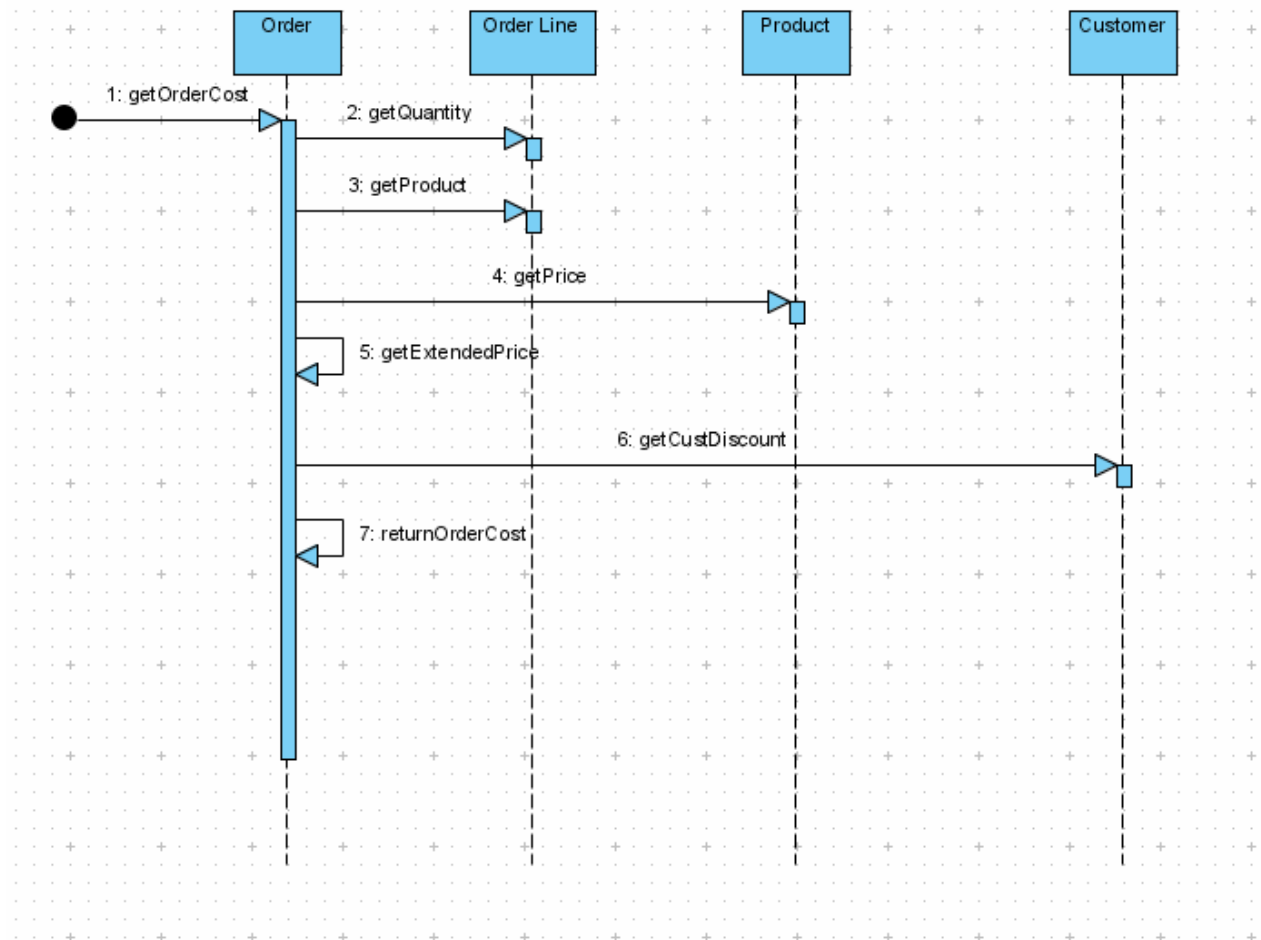
Announcements

- Make sure you are checked off for SQL Server
- Get checked off for Dreamweaver and IIS by next week

UML Lecture Exercises

- Sequence Diagram Example
- Activity Diagram Example

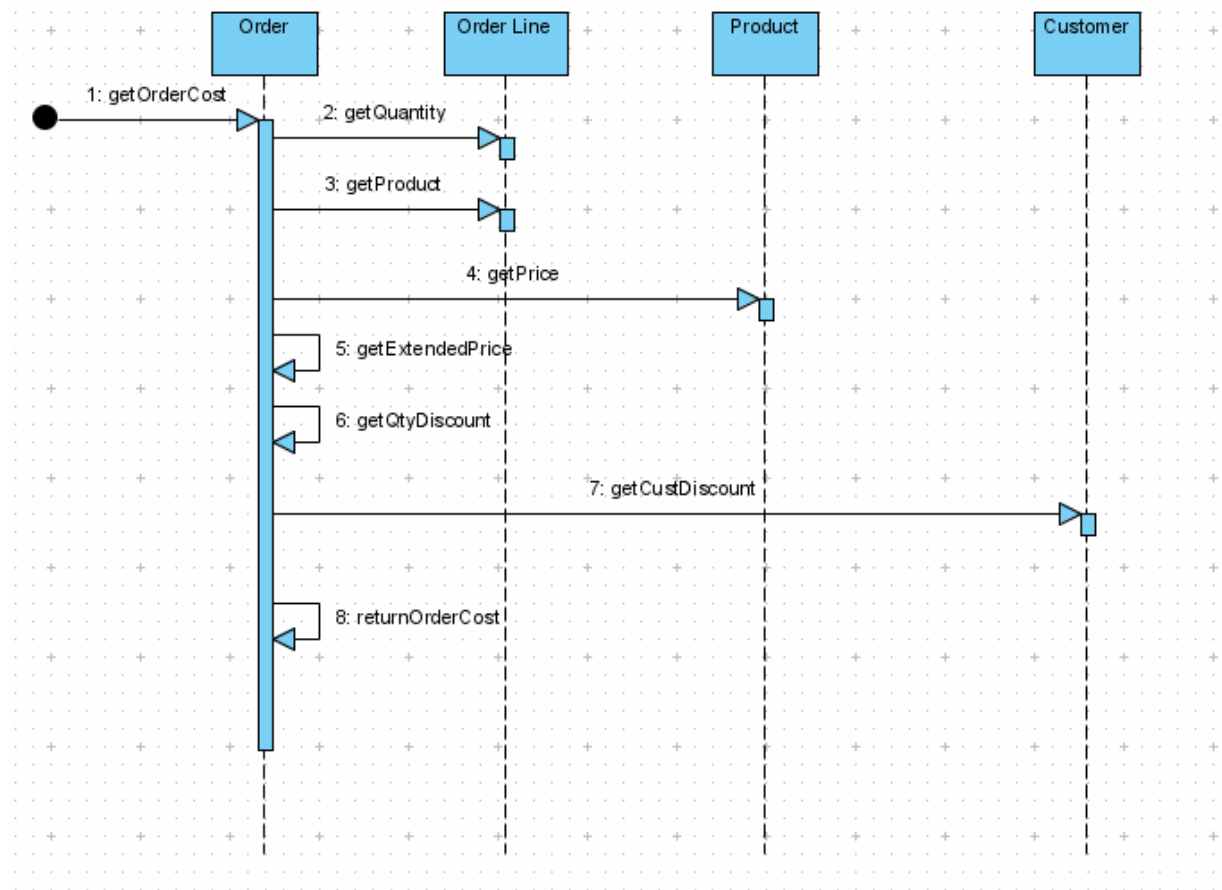
Sequence diagram example



Sequence diagram exercise

- **Add a discount calculation based on the total order quantity, in addition to the customer discount**

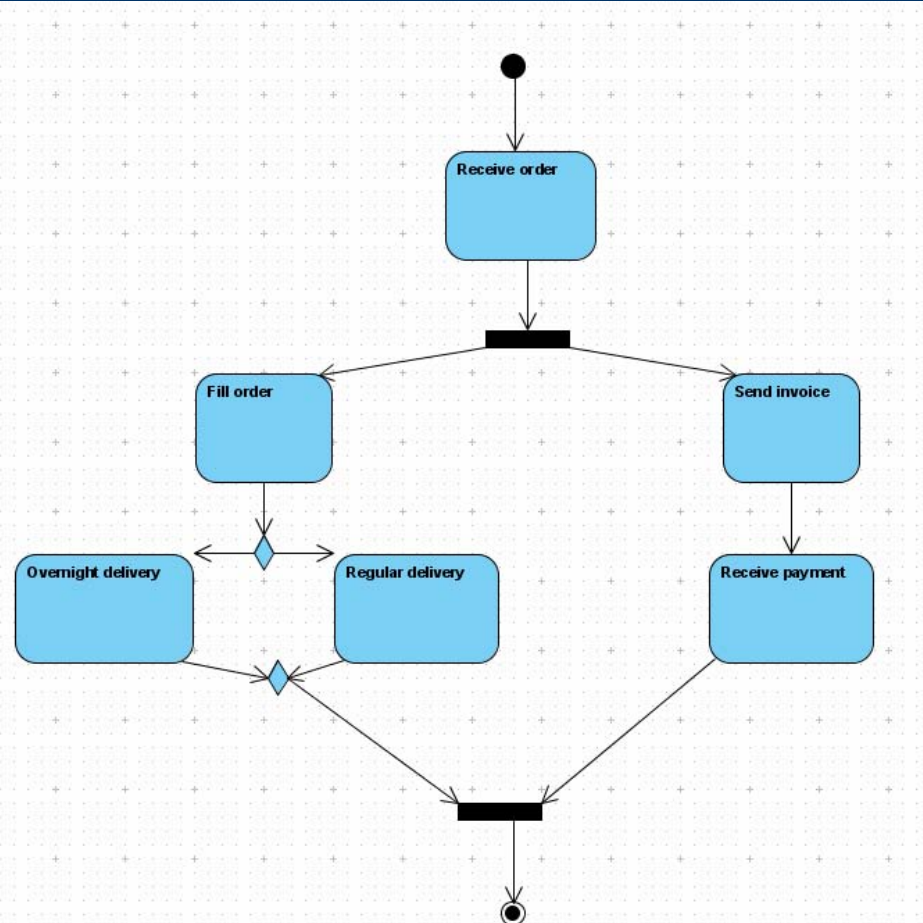
Sequence diagram solution



Activity diagram

- **Shows flow of messages, logic, actions**
- **This is at a much higher level of abstraction than flow charts**
 - **Flow charts show logic for single method (if statements, loops, etc.)**
 - **Activity diagrams show flow among objects**

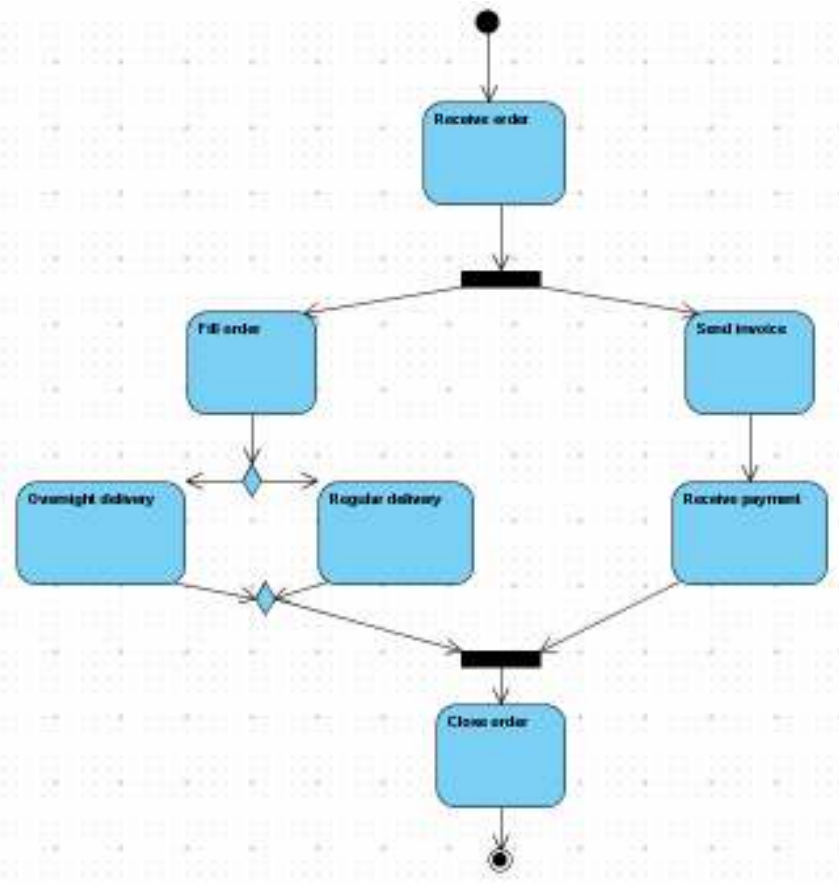
Activity diagram example



Activity diagram exercise

- **Add a 'close order' activity**

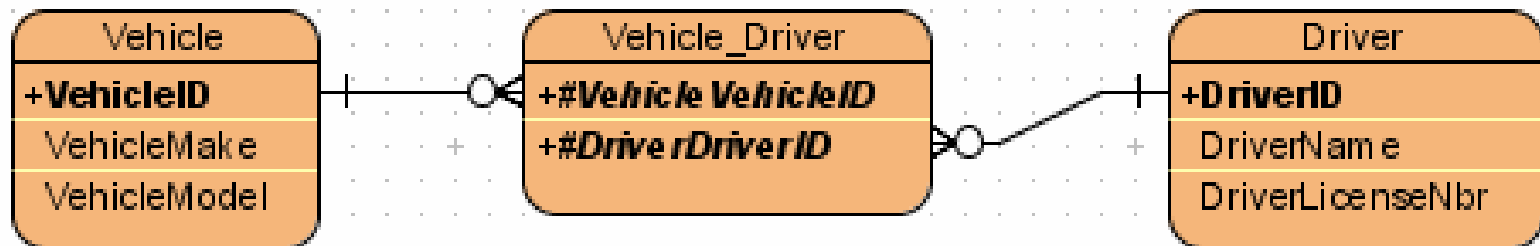
Activity diagram solution



Data Models and Visual Paradigm

- Create a new Entity Relationship Diagram
- Add entities by clicking on Entity in the Entity Relationship panel and then on the workspace
- Add attributes to entities by right-clicking on the entity and then choosing New Column
- Make an attribute a primary key by right-clicking on the attribute and choosing Open Specification, then check “include in primary key”
- Create a one-to-many relationship between two entities by clicking on one-to-many in the Entity Relationship panel, and dragging mouse from primary key entity to foreign key entity... the foreign key attribute in the second entity will be created automatically

Many-to-many relationships with foreign keys



Software Installation

- Dreamweaver
 - Install from CD, follow installation instructions
- Internet Information Services (IIS)
 - Hit the “Start” button and select the “Control Panel” Double-click the “Add/Remove Programs” icon and a new window will open.
 - Along the left, click the button marked “Add/Remove Windows Components.” On the screen that appears, select the “Internet Information Services” option (and feel free to deselect any others you don’t want) and click “Install” to begin the installation.
 - CAVEAT – For some people, this will require your original Windows XP CD in order to install. If this turns out to be the case, let us know and we will do what we can to help.
 - Once installed, you’ll want to confirm that IIS is indeed installed.
 - To do so, go to Start>Control Panel>Administrative Tools>Services, look in the list for an item called “Internet Information Services.” This screen is what you will use to start and stop IIS as well.