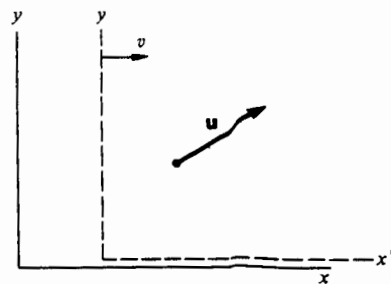


Relativistic Velocity Transformation

R4-1

- Particle velocity \vec{u} (u_x, u_y) in x, y, z, t system
- What is \vec{u}' in x', y', z', t' ?
- S' velocity is v w.r.t S .



$$u_x = \lim_{\Delta t \rightarrow 0} \frac{\Delta x}{\Delta t} \quad u_y = \lim_{\Delta t \rightarrow 0} \frac{\Delta y}{\Delta t}$$

Also

$$u'_x = \lim_{\Delta t' \rightarrow 0} \frac{\Delta x'}{\Delta t'} \quad u'_y = \lim_{\Delta t' \rightarrow 0} \frac{\Delta y'}{\Delta t'}$$

Lorentz transformation differentials:

$$\Delta x' = \gamma (\Delta x - v \Delta t)$$

$$\Delta y' = \Delta y$$

$$\Delta t' = \gamma \left(\Delta t - \frac{v}{c^2} \Delta x \right)$$

$$\therefore \frac{\Delta x'}{\Delta t'} = \frac{\gamma (\Delta x - v \Delta t)}{\gamma \left(\Delta t - \frac{v}{c^2} \Delta x \right)} = \frac{\Delta x / \Delta t - v}{1 - \frac{v}{c^2} \left(\frac{\Delta x}{\Delta t} \right)}$$

Let $\Delta t \rightarrow 0$

$$u'_x = \frac{u_x - v}{1 - \frac{v}{c^2} u_x}$$

$$\text{Also } u_y' = \frac{u_y}{\gamma \left[1 - \frac{v u_x}{c^2} \right]}$$

$$u_z' = \frac{u_z}{\gamma \left[1 - \frac{v u_x}{c^2} \right]}$$

Invert to get

$$u_x = \frac{u_x' + v}{1 + \frac{v u_x'}{c^2}}$$

$$u_y = \frac{u_y'}{\gamma \left[1 + \frac{v u_x'}{c^2} \right]}$$

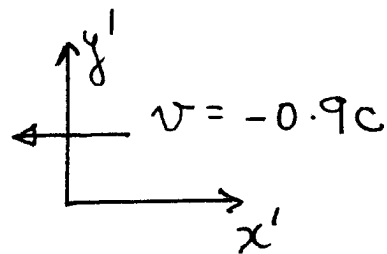
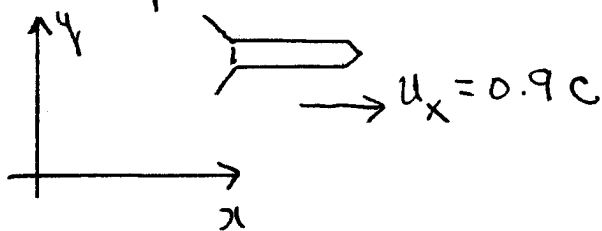
$$u_z = \frac{u_z'}{\gamma \left[1 + \frac{v u_x'}{c^2} \right]}$$

If $v \ll c$

$$\left. \begin{aligned} u_x' &= u_x - v \\ u_y' &= u_y \\ u_z' &= u_z \end{aligned} \right\} \text{Galilean Trans.}$$

Example:

R4-3



$$u'_x = \frac{u_x - v}{1 - \frac{v}{c^2} u_x} = \frac{0.9c - (-0.9c)}{1 - [(-0.9c)(0.9c)]} = \frac{1.8c}{1.81}$$

$$u'_x = 0.99c$$

Example:

$$\text{let } u_x = c$$

$$u'_x = \frac{c - v}{1 - \frac{vc}{c^2}} \equiv c$$

Independent of v !!
limiting velocity $\equiv c$

Doppler Effect

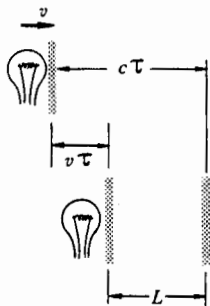
RA-4

- Sound pitch increases when source approaches.
- Pitch decreases when source recedes.
- What about light?
- Source produces light flashes with period $\tau_0 = 1/\nu_0$ in its rest frame - S'
- Source moving with velocity v relative to S .
- Due to time dilation the period in the observers (S) rest frame is

$$\tilde{\tau} = \gamma \tau_0$$

- Pulse arrives at observer with speed c .

Observed frequency is



$\tau_D = c/L$ where L is the separation between two pulses. Since source is moving to observer

$$L = c\tilde{\tau} - v\tilde{\tau} = (c-v)\tilde{\tau}$$

and

$$\tau_D = \frac{c}{(c-v)\tilde{\tau}}$$

$$\nu_D = \frac{1}{1 - v/c} \frac{1}{\lambda \tilde{\nu}_0}$$

$$\nu_D = \nu_0 \frac{\sqrt{1 - v^2/c^2}}{1 - v/c}$$

$$\nu_D = \nu_0 \sqrt{\frac{1 + v/c}{1 - v/c}} \quad (\text{source approaching})$$

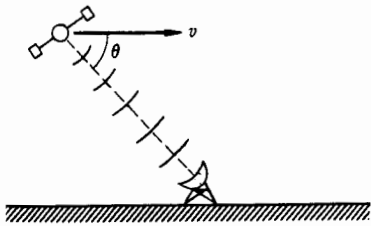
ν_D : frequency in observer's rest frame

ν_0 : frequency in source rest frame

$$\nu_D = \nu_0 \sqrt{\frac{1 - v/c}{1 + v/c}} \quad (\text{source receding})$$

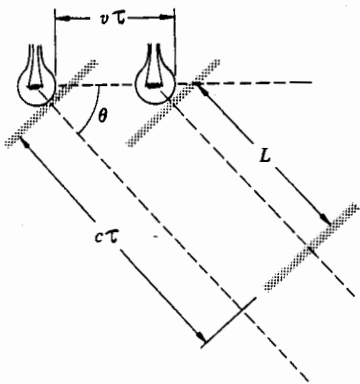
Doppler Effect: Off-line

R4-6



Consider source of light making an angle θ to direction of motion.

Period of flashes,
 $\tilde{\tau} = \gamma \tau_0$



Observed frequency,
 $\nu_D = \frac{c}{L}$

L : distance between flashes
 $v\tau$: distance source moves between flashes.

$$L = c\tilde{\tau} - v\tilde{\tau} \cos \theta \\ = (c - v \cos \theta) \tilde{\tau}$$

$$\nu_D = \frac{c}{L} = \frac{c}{(c - v \cos \theta) \tau_0 \gamma}$$

$$\nu_D = \nu_0 \frac{\sqrt{1 - v^2/c^2}}{1 - \frac{v}{c} \cos \theta}$$

$$\nu_D (\theta = 90^\circ) = \nu_0 / \gamma$$

$$\nu_D (\text{classical}) \equiv 0.$$

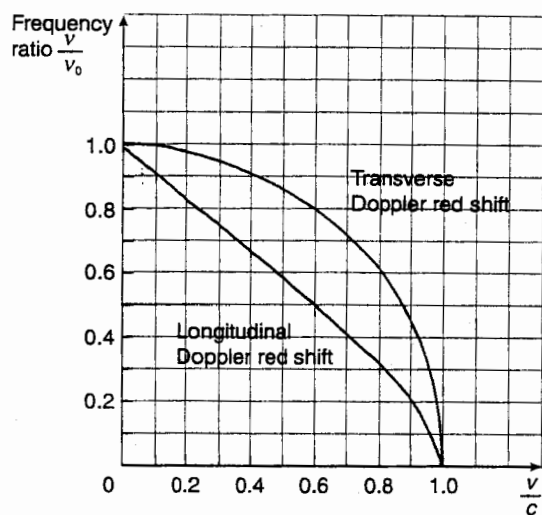


FIGURE 25.43 Longitudinal and transverse Doppler effects.

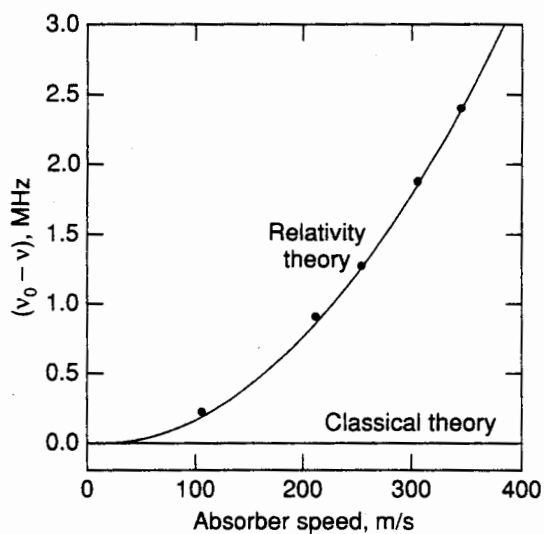
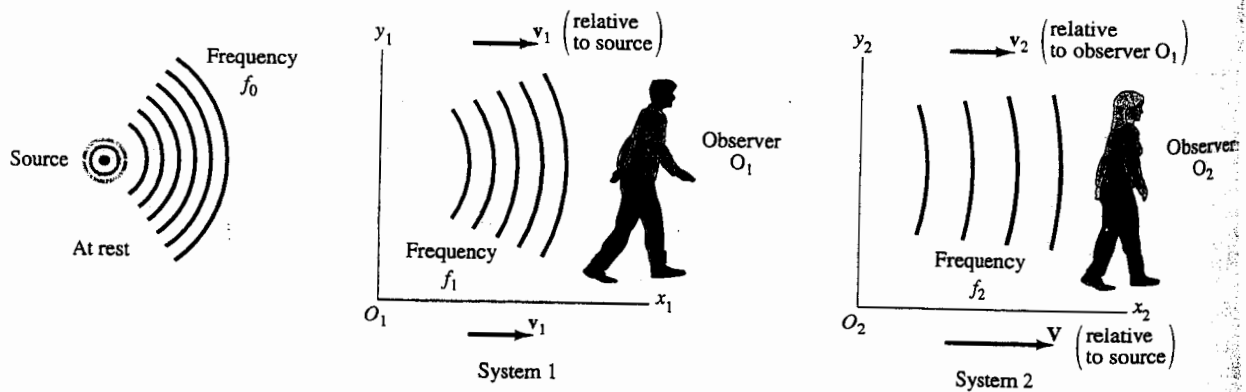


FIGURE 2-12. The results of Kindig [9] on the transverse Doppler effect. The experimental points agree very well with the relativistic prediction and not at all with the classical prediction.

Two Observers / Doppler Shift



- Light emitted with rest-frame frequency = ν_0
- S' moves away with speed v_1 along x -axis. measures redshifted frequency ν_1 .
- S'' moves away with speed v_2 along x -axis relative to S' and measures a frequency ν_2 .
- Assume S'' moves with velocity v relative to rest-frame. He should observe ν_2 as frequency shift relative to ν_0 .

$$\nu_1 = \nu_0 \sqrt{\frac{1 - v_1/c}{1 + v_1/c}} \quad [\text{Observer } S']$$

$$\nu_2 = \nu_1 \sqrt{\frac{1 - v_2/c}{1 + v_2/c}} \quad [\text{Observer } S'']$$

$$\nu_2 = \nu_0 \sqrt{\frac{1 - v_1/c}{1 + v_1/c}} \sqrt{\frac{1 - v_2/c}{1 + v_2/c}}$$

We must also have,

$$\nu_2 = \nu_0 \sqrt{\frac{1 - v/c}{1 + v/c}}$$

$$\therefore \frac{1 - v/c}{1 + v/c} = \frac{[1 - v_1/c][1 - v_2/c]}{[1 + v_1/c][1 + v_2/c]}$$

Solve for v

$$v = \frac{v_1 + v_2}{1 + v_1 v_2 / c^2}$$

Twin Paradox

R4-8

A: Bob

B: Dave

- Twins; one stays and one travels
- A sees B travel a distance L with velocity v :
$$T = L/v$$
- B reverses direction and returns in same time T .
- Assume turn-around can be neglected.
- A observes time \bar{T}_B' on B's clock is related to his time $\bar{T}_A = 2T$

$$\bar{T}_B' = \bar{T}_A / \gamma$$

$$\frac{\text{Aging of B}}{\text{Aging of A}} = \frac{\bar{T}_B'}{\bar{T}_A} = \frac{1}{\gamma} \quad (\text{As viewed by A})$$

• B's Perspective:

- A travels with velocity $-v$; turns around and comes back.

$$\bar{T}_B = 2T$$

$$\bar{T}_A' = \bar{T}_B / \gamma$$

$$\frac{\text{Aging of B}}{\text{Aging of A}} = \frac{\bar{T}_B}{\bar{T}_A'} = \gamma \quad (\text{As viewed by B})$$

Paradox: A thinks B is younger and B thinks A is younger

• This problem elicited many papers and discussions for many years. Is something wrong with Special Relativity?

No !!

Resolution:

- Example: Bob leaves his brother in NYC.
- Travels with $v = 0.8c$ to a star, $\gamma = 5/3$.
- By his clock the travel time $\bar{T}_B = 3 \text{ yrs}$.
- Fires his rockets and reverses direction and speed.
- At end fires rockets to stop in NYC.
- Total travel time: $\bar{T}_B = 6 \text{ yrs}$
- We will ignore the accelerations. Time accelerating can be made much shorter than travel time.
- Dave's clock reads 10 yrs.
- Both twins have identical clocks which send out light signals at one-year intervals.
- Dave gets signals from Bob's clock and records them against the annual signals

of his clock.

- Bob receives the signals from Dave's clock and records them against the signals from his own clock.

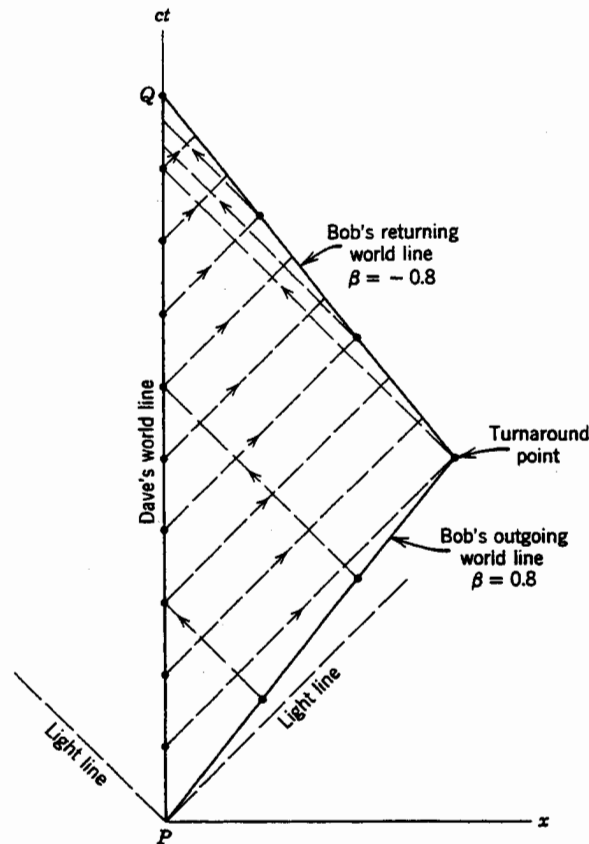


Figure B-2. Spacetime diagram of the twin paradox.

- Dave's world-line is the ct -axis. He stays at $x=0$.
- Mark off 10 yrs on the ct -axis.
- Bob's world line is inclined, ct' , for a frame moving with $v=0.8c$. He stays at $x'=0$.
- After 3 yrs he reverses velocity to $v=-0.8c$ and returns.

- Mark off 3 yrs going and 3 yrs returning.
- Draw light signals from Dave to Bob.
- Draw light signals from Bob to Dave.
- Signals parallel to light line.

- Bob sends 6 signals; the last on arrival.
- Dave sends 10 signals; the last on arrival.

- How to explain space-time diagram?
- Doppler effect.
- As clocks recede, their frequency is

$$\vartheta = \vartheta_0 \sqrt{\frac{1-\beta}{1+\beta}} = \frac{\vartheta_0}{3}$$

- Bob receives first signal from Dave after 3 yrs, just as he turns around.
- Dave receives signals at a reduced rate from Bob on the way out, once every 3 of his years. Receives three signals in nine years.

- As clocks approach, their frequencies are

$$\vartheta = \vartheta_0 \sqrt{\frac{1+\beta}{1-\beta}} = 3\vartheta_0$$

- Bob receives 9 signals from Dave on his return journey. Altogether he gets 10 signals.

- Dave receives 3 signals from Bob on the last year. Dave receives 6 signals.
- No disagreement on signals :
 Bob sends 6 ; Dave receives 6
 Dave sends 10 ; Bob receives 10
- Why are the times different?
- Dave sees Bob recede for 9 years and return for one year.
- Bob sees himself receding for 3 years and approaching for three years.
- Dave received signals at a slow rate for nine years and a fast rate for one year.
- Bob had slow signals for three years and fast signals for 3 years.
- Doppler effect shows the asymmetry in the travel
- Bob is younger than Dave after trip.

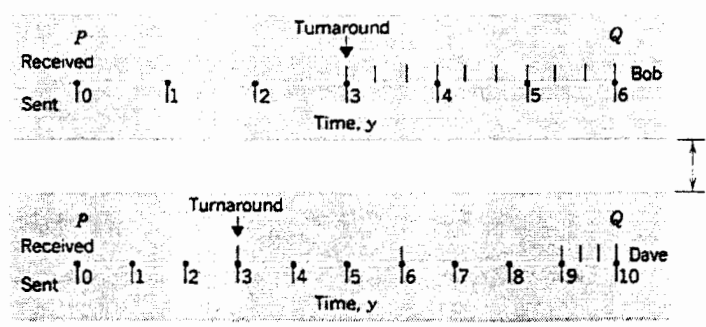


Figure B-3. The signal logs for the twins.

Appearance of Moving Objects

R4-13

- Confusion on appearance of rapidly moving objects. Not totally understood till ~1960.
- Consider a board of length L_0 and width W_0 in its rest frame.
- Moving with speed v parallel to L_0 .
- Take a picture in a plane $\perp v$.
- Picture: Instant simultaneous collection of light from object.

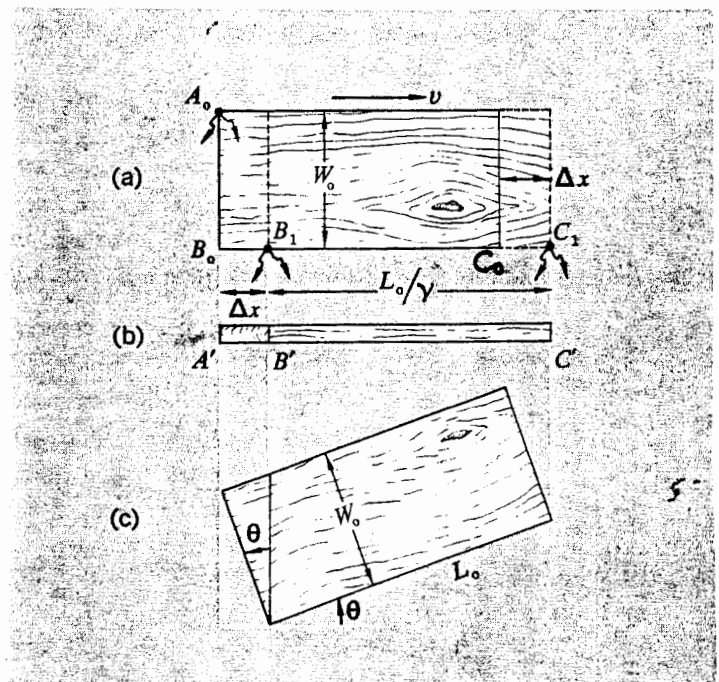
- Consider three points: A_0, B_0, C_0
- Light from B_0, C_0 arrives at film plane at same time.
- Light from A_0 must start earlier to reach film on time.

$$\Delta t = W_0/c$$

- In time Δt board moves to the right

$$\Delta x = v \Delta t = v \frac{W_0}{c}$$

Fig. 5-11 (a) A rectangular object moving at speed v parallel to x . (b) The apparent positions of the corners A, B, C as recorded at a given instant by a distant observer looking in the y direction in the plane of the object. (c) It is inferred that the object is rotated in its own plane, but not Lorentz-contracted.



$$\text{At } \Delta t : \quad \begin{aligned} B_0 &\rightarrow B_1 \\ C_0 &\rightarrow C_1 \end{aligned}$$

• Board along x is Lorentz contracted

$$\therefore B_1 C_1 = L_0 / \gamma$$

$$\text{Also} \quad A'B' = vW_0/c$$

Consider board at rest but rotated through angle θ

$$A'B' = W_0 \sin \theta$$

$$B_1 C_1 = B' C' = L_0 \cos \theta$$

Appears as if board is rotated

$$\sin \theta = v/c$$

$$\cos \theta = \sqrt{1 - \frac{v^2}{c^2}}$$