

MIT Open Access Articles

The design, construction, and commissioning of the KATRIN experiment

The MIT Faculty has made this article openly available. **Please share** how this access benefits you. Your story matters.

Citation: Formaggio, Joseph. 2021. "The design, construction, and commissioning of the KATRIN experiment." *Journal of Instrumentation*, 16 (08).

As Published: 10.1088/1748-0221/16/08/T08015

Publisher: IOP Publishing

Persistent URL: <https://hdl.handle.net/1721.1/141803>

Version: Final published version: final published article, as it appeared in a journal, conference proceedings, or other formally published context

Terms of use: Creative Commons Attribution 4.0 International license



TECHNICAL REPORT • OPEN ACCESS

The design, construction, and commissioning of the KATRIN experiment

To cite this article: The KATRIN collaboration *et al* 2021 *JINST* **16** T08015

View the [article online](#) for updates and enhancements.

You may also like

- [Operation and performance of the ATLAS semiconductor tracker in LHC Run 2](#)
The ATLAS collaboration, Georges Aad, Brad Abbott et al.



The Electrochemical Society
Advancing solid state & electrochemical science & technology

242nd ECS Meeting

Oct 9 – 13, 2022 • Atlanta, GA, US

Extended abstract submission deadline: April 22, 2022

Connect. Engage. Champion. Empower. Accelerate.

MOVE SCIENCE FORWARD



Submit your abstract



TECHNICAL REPORT

The design, construction, and commissioning of the KATRIN experiment



The KATRIN collaboration

M. Aker,^a K. Altenmüller,^{b,c} J.F. Amsbaugh,^d M. Arenz,^e M. Babutzka,^{a,f} J. Bast,^a S. Bauer,^g H. Bechtler,^a M. Beck,^g A. Beglarian,^h J. Behrens,^{a,f,g} B. Bender,^a R. Berendes,^g A. Berlev,ⁱ U. Besserer,^a C. Bettin,^a B. Bieringer,^g K. Blaum,^j F. Block,^f S. Bobien,^k M. Böttcher,^g J. Bohn,^a K. Bokeloh,^g H. Bolz,^a B. Bornschein,^a L. Bornschein,^a H. Bouquet,^h N.M. Boyd,^d T. Brunst,^{b,l} T.H. Burritt,^d T.S. Caldwell,^{m,n} Z. Chaoui,^{d,o} S. Chilingaryan,^h W. Choi,^f T.J. Corona,^{m,n} G.A. Cox,^a K. Debowski,^p M. Deffert,^f M. Descher,^f D. Díaz Barrero,^q P.J. Doe,^d O. Dragoun,^r G. Drexlin,^f J.A. Dunmore,^d S. Dyba,^g F. Edzards,^{b,l} F. Eichelhardt,^{a,f} K. Eitel,^a E. Ellinger,^p R. Engel,^a S. Enomoto,^d M. Erhard,^{a,f} D. Eversheim,^e M. Fedkevych,^g A. Felden,^a S. Fischer,^a J.A. Formaggio,^s F.M. Fränkle,^{a,m,n} G.B. Franklin,^t H. Frenzel,^a F. Friedel,^f A. Fulst,^g K. Gauda,^g R. Gehring,^k W. Gil,^a F. Glück,^a S. Görhardt,^{a,f} J. Grimm,^a R. Grössle,^a S. Groh,^{a,f} S. Grohmann,^k R. Gumbsheimer,^a M. Hackenjös,^{a,f} D. Häbeler,^a V. Hannen,^g F. Harms,^{a,f} G.C. Harper,^d J. Hartmann,^h N. Haußmann,^p F. Heizmann,^{a,f} K. Helbing,^p M. Held,^a S. Hickford,^{a,f} D. Hilke,^{a,f} B. Hillen,^g R. Hiller,^f D. Hillesheimer,^a D. Hinz,^a T. Höhn,^a M. Hötzel,^{a,f} S. Holzmann,^k S. Horn,^a T. Houdy,^{b,l} M.A. Howe,^{m,n} A. Huber,^f T. James,^{u,a} A. Jansen,^a M. Kaiser,^a C. Karl,^{b,l} O. Kazachenko,^k J. Kellerer,^f L. Kippenbrock,^d M. Kleesiek,^{a,f} M. Kleifges,^h J. Kleinfeller,^a M. Klein,^{a,f} C. Köhler,^{b,l} L. Köllenberger,^a A. Kopmann,^h M. Korzeczek,^f A. Kosmider,^{a,f} A. Kovalík,^r B. Krasch,^a H. Krause,^a M. Kraus,^{a,f} L. Kuckert,^{a,f} A. Kumb,^a N. Kunka,^h T. Lasserre,^c L. La Cascio,^f O. Lebeda,^r M.L. Leber,^d B. Lehnert,^v B. Leiber,^{a,f} J. Letnev,^w R.J. Lewis,^x T.L. Le,^a S. Lichter,^a A. Lokhov,^{g,i} J.M. Lopez Poyato,^q M. Machatschek,^f E. Malcherek,^a M. Mark,^a A. Marsteller,^a E.L. Martin,^{d,m,n} K. Mehret,^a M. Meloni,^a C. Melzer,^a A. Menshikov,^h S. Mertens,^{b,l} L.I. Minter (née Bodine),^d B. Monreal,^{y,z} J. Mostafa,^h K. Müller,^a A.W. Myers,^d U. Naumann,^p H. Neumann,^k S. Niemes,^a P. Oelpmann,^g A. Off,^a H.-W. Ortjohann,^g A. Osipowicz,^w B. Ostrick,^g D.S. Parno,^t D.A. Peterson,^d P. Plischke,^a

A.W.P. Poon,^v M. Prall,^g F. Priester,^a P.C.-O. Ranitzsch,^g J. Reich,^{a,f} P. Renschler,^{a,f}
 O. Rest,^g R. Rinderspacher,^a R.G.H. Robertson,^d W. Rodejohann,^j C. Rodenbeck,^g
 M. Röllig,^a C. Röttele,^{a,f} P. Rohr,^h S. Rupp,^a M. Ryšavý,^r R. Sack,^g A. Saenz,^{aa} M. Sagawe,^a
 P. Schäfer,^a A. Schaller (née Pollithy),^{b,l} L. Schimpf,^f K. Schlösser,^a M. Schlösser,^a
 L. Schlüter,^{b,l} S. Schneidewind,^g H. Schön,^k K. Schönung,^a M. Schrank,^a B. Schulz,^{aa}
 J. Schwarz,^{a,f} M. Šefčík,^r H. Seitz-Moskaliuk,^f W. Seller,^w V. Sibille,^s D. Siegmann,^{b,l}
 M. Slezák,^{b,l} F. Spanier,^a M. Steidl,^a M. Sturm,^a M. Sun,^d D. Tcherniakhovski,^h H.H. Telle,^{q,u}
 L.A. Thorne,^t T. Thümmel,^{a,*} N. Titov,ⁱ I. Tkachev,ⁱ N. Trost,^{a,f} K. Urban,^{b,l} K. Valerius,^a
 B.A. VanDevender,^d T.D. Van Wechel,^d D. Vénos,^r A. Verbeek,^a R. Vianden,^e
 A.P. Vizcaya Hernández,^t K. Vogt,^a B.L. Wall,^d N. Wandkowsky,^{a,f} M. Weber,^h
 H. Weingardt,^a C. Weinheimer,^g C. Weiss,^{ab} S. Welte,^a J. Wendel,^a K.J. Wierman,^{d,m,n}
 J.F. Wilkerson,^{m,n} J. Wolf,^f S. Wüstling,^h W. Xu,^s Y.-R. Yen,^t M. Zacher,^g S. Zadoroghny,ⁱ
 M. Zboril^{g,r} and G. Zeller^a

^a*Institute for Astroparticle Physics (IAP), Karlsruhe Institute of Technology (KIT),
 Hermann-von-Helmholtz-Platz 1, 76344 Eggenstein-Leopoldshafen, Germany*

^b*Technische Universität München,
 James-Franck-Str. 1, 85748 Garching, Germany*

^c*IRFU (DPhP & APC), CEA, Université Paris-Saclay,
 91191 Gif-sur-Yvette, France*

^d*Center for Experimental Nuclear Physics and Astrophysics and Dept. of Physics, University of Washington,
 Seattle, WA 98195, U.S.A.*

^e*Helmholtz-Institut für Strahlen- und Kernphysik, Rheinische Friedrich-Wilhelms-Universität Bonn,
 Nussallee 14-16, 53115 Bonn, Germany*

^f*Institute of Experimental Particle Physics (ETP), Karlsruhe Institute of Technology (KIT),
 Wolfgang-Gaede-Str. 1, 76131 Karlsruhe, Germany*

^g*Institut für Kernphysik, Westfälische Wilhelms-Universität Münster,
 Wilhelm-Klemm-Str. 9, 48149 Münster, Germany*

^h*Institute for Data Processing and Electronics (IPE), Karlsruhe Institute of Technology (KIT),
 Hermann-von-Helmholtz-Platz 1, 76344 Eggenstein-Leopoldshafen, Germany*

ⁱ*Institute for Nuclear Research of Russian Academy of Sciences,
 60th October Anniversary Prospect 7a, 117312 Moscow, Russia*

^j*Max-Planck-Institut für Kernphysik,
 Saupfercheckweg 1, 69117 Heidelberg, Germany*

^k*Institute for Technical Physics (ITEP), Karlsruhe Institute of Technology (KIT),
 Hermann-von-Helmholtz-Platz 1, 76344 Eggenstein-Leopoldshafen, Germany*

^l*Max-Planck-Institut für Physik,
 Föhringer Ring 6, 80805 München, Germany*

^m*Department of Physics and Astronomy, University of North Carolina,
 Chapel Hill, NC 27599, U.S.A.*

ⁿ*Triangle Universities Nuclear Laboratory,
 Durham, NC 27708, U.S.A.*

^o*Permanent address: Laboratory of Optoelectronics and Devices, Physics Department,
 Faculty of Sciences, University of Setif-1 (19000), Algeria*

*Corresponding author.

^p*Department of Physics, Faculty of Mathematics and Natural Sciences, University of Wuppertal, Gaußstr. 20, 42119 Wuppertal, Germany*

^q*Departamento de Química Física Aplicada, Universidad Autónoma de Madrid, Campus de Cantoblanco, 28049 Madrid, Spain*

^r*Nuclear Physics Institute of the CAS, v. v. i., CZ-250 68 Řež, Czech Republic*

^s*Laboratory for Nuclear Science, Massachusetts Institute of Technology, 77 Massachusetts Ave, Cambridge, MA 02139, U.S.A.*

^t*Department of Physics, Carnegie Mellon University, Pittsburgh, PA 15213, U.S.A.*

^u*Department of Physics, Swansea University, Swansea SA2 8PP, U.K.*

^v*Institute for Nuclear and Particle Astrophysics and Nuclear Science Division, Lawrence Berkeley National Laboratory, Berkeley, CA 94720, U.S.A.*

^w*University of Applied Sciences (HFD) Fulda, Leipziger Str. 123, 36037 Fulda, Germany*

^x*School of Physics and Astronomy, Cardiff University, Cardiff, Wales, CF24 3AA, U.K.*

^y*Department of Physics, Case Western Reserve University, Cleveland, OH 44106, U.S.A.*

^z*Department of Physics, University of California at Santa Barbara, Santa Barbara, CA 93106, U.S.A.*

^{aa}*Institut für Physik, Humboldt-Universität zu Berlin, Newtonstr. 15, 12489 Berlin, Germany*

^{ab}*Project, Process, and Quality Management (PPQ), Karlsruhe Institute of Technology (KIT), Hermann-von-Helmholtz-Platz 1, 76344 Eggenstein-Leopoldshafen, Germany*

E-mail: thomas.thuemmler@kit.edu

ABSTRACT: The KARlsruhe TRItium Neutrino (KATRIN) experiment, which aims to make a direct and model-independent determination of the absolute neutrino mass scale, is a complex experiment with many components. More than 15 years ago, we published a technical design report (TDR) [1] to describe the hardware design and requirements to achieve our sensitivity goal of 0.2 eV at 90% C.L. on the neutrino mass. Since then there has been considerable progress, culminating in the publication of first neutrino mass results with the entire beamline operating [2]. In this paper, we document the current state of all completed beamline components (as of the first neutrino mass measurement campaign), demonstrate our ability to reliably and stably control them over long times, and present details on their respective commissioning campaigns.

KEYWORDS: Beam-line instrumentation (beam position and profile monitors, beam-intensity monitors, bunch length monitors); Spectrometers; Gas systems and purification; Neutrino detectors

ARXIV EPRINT: [2103.04755](https://arxiv.org/abs/2103.04755)

Contents

1	Introduction	1
2	System overview	1
2.1	Setup of the KATRIN experiment	1
2.2	Key parameters of the KATRIN experiment	4
2.3	Measurement modes	5
3	Windowless gaseous tritium source	8
3.1	WGTS principle and basic requirements	8
3.2	WGTS magnet cryostat system	9
3.2.1	Magnet system setup	10
3.2.2	Setup of the beam tube cooling system	11
3.2.3	Commissioning of the WGTS magnet cryostat system	13
3.3	Tritium loops	16
3.3.1	Tritium loops overview	16
3.3.2	KATRIN tritium loop system setup	19
3.3.3	Commissioning results	22
3.4	WGTS rear wall	25
3.4.1	Potential definition	25
3.4.2	Rear wall setup	25
3.4.3	Rear wall illumination	27
4	Transport system	28
4.1	Differential pumping system	28
4.1.1	DPS principle and basic requirements	29
4.1.2	Magnet system	30
4.1.3	Beam tube, pump ports and glove box	31
4.1.4	Pumping system	31
4.1.5	Commissioning results	32
4.2	Cryogenic pumping system	33
4.2.1	CPS principle and basic requirements	33
4.2.2	Magnet-cryostat setup	34
4.2.3	Argon cryo pump	35
4.2.4	Commissioning results with the magnet-cryostat system	37
4.2.5	Commissioning results with the argon frost pump	37
5	Spectrometer system	39
5.1	Spectrometer principle and basic requirements	39
5.1.1	Main spectrometer related background	41
5.1.2	Penning trap between the pre- and main spectrometers	43

5.2	The spectrometer vacuum system	43
5.2.1	Vacuum system of the pre-spectrometer	44
5.2.2	Vacuum system of the main spectrometer	45
5.3	High voltage system	48
5.3.1	High voltage at the pre-spectrometer	49
5.3.2	High voltage at the main spectrometer	49
5.3.3	Inner electrodes of the main spectrometer	50
5.3.4	High voltage distribution and monitoring	54
5.4	Magnet system	57
5.4.1	Beam line magnets	57
5.4.2	Air coil system	59
5.5	Background mitigation	60
5.5.1	Magnetic pulse	60
5.5.2	Penning wiper	60
5.5.3	Electric dipole	61
5.5.4	UV irradiation system — the light hammer	63
6	Detector system	63
6.1	Detector principle and basic requirements	63
6.2	Focal plane detector system overview	64
6.3	Focal plane detector	64
6.4	Readout electronics and data acquisition	65
6.4.1	Digital filters	66
6.4.2	Run modes and performance	68
6.4.3	Grid synchronization signal	69
6.5	Calibration and post-acceleration system	70
6.6	Passive shield and veto system	71
7	Calibration and monitoring systems	72
7.1	Overview	72
7.2	Gas composition monitoring	72
7.2.1	Measurement principle and requirements	73
7.2.2	Laser Raman spectroscopy system	73
7.2.3	Performance of the Raman setup	75
7.3	Activity monitoring	76
7.3.1	BIXS monitor	77
7.3.2	Forward beam monitor	77
7.4	Ion creation, blocking, and removal	80
7.4.1	Tritium ion creation and induced background	81
7.4.2	Ion blocking and removal with ring and dipole electrodes	81
7.4.3	Ion detection	82
7.5	Spectrometer magnetic field monitoring system	83
7.5.1	Stationary magnetic monitoring system	84

7.5.2	Mobile magnetic monitoring system	85
7.6	Monitoring high voltage system stability	87
7.6.1	Monitor spectrometer setup	88
7.6.2	Implanted $^{83}\text{Rb}/^{83\text{m}}\text{Kr}$ source	88
7.6.3	Electron energy stability	89
7.7	Electron sources	89
7.7.1	High resolution angular-selective electron gun	89
7.7.2	Condensed $^{83\text{m}}\text{Kr}$ source	95
7.7.3	Gaseous $^{83\text{m}}\text{Kr}$ source	97
7.7.4	CERMAX lamp	103
8	Data management and control systems	104
8.1	Overview	104
8.2	Machine control system	107
8.3	Experimental control system	108
8.4	Data management, monitoring, and analysis system	109
8.4.1	KaaS cloud platform	110
8.4.2	ADEI data management platform	112
8.4.3	BORA status monitoring framework	113
8.4.4	Processing of run data	114
8.4.5	Databases for run and sensor data	114
8.4.6	User-side analysis tools	116
9	Summary	117

1 Introduction

The determination of the neutrino mass plays an important role in cosmology, particle physics, and astroparticle physics. The investigation of the energy spectrum of tritium β -decay currently is the most model-independent method for addressing this topic and gives the most sensitive result [2].

Owing to neutrino flavor mixing, the effective neutrino mass m_ν appears as an incoherent sum of the neutrino mass eigenstates contributing to the electron neutrino. Furthermore, the signature of the neutrino mass is maximal at a few eV below the kinematic endpoint of the tritium β -spectrum at $E_0 \approx 18.6$ keV [3–5]. Based on the experience of its predecessor experiments in Mainz [6] and Troitsk [7], which determined an upper bound of $m_\nu < 2$ eV [8], the [KARlsruhe TRItium Neutrino \(KATRIN\)](#) experiment aims to improve the sensitivity on m_ν by one order of magnitude to 0.2 eV [1].

[KATRIN](#) uses an ultra-luminous, [Windowless Gaseous Tritium Source \(WGTS\)](#) and an integrating spectrometer of [Magnetic Adiabatic Collimation with Electrostatic \(MAC-E\)](#) filter type [9, 10] for the energy analysis of the β -decay electrons.

This paper, which builds on the original [technical design report \(TDR\)](#) [1], will focus on hardware implementation and commissioning results, and various systems for calibration and

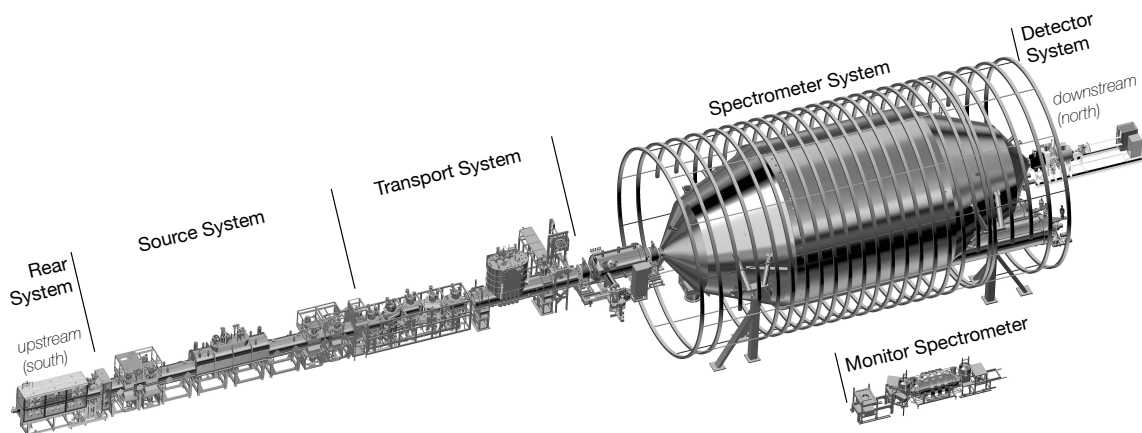


Figure 1. Schematic view of the [KATRIN](#) experimental setup. The overall length of the setup is about 70 m. The β -electrons from the tritium source are guided to the spectrometer by the electromagnetic field along the beamline. Electrons which have passed the spectrometer are then counted by the detector. Refer to section 7.6 for details about the [Monitor Spectrometer \(MoS\)](#) in its parallel beamline.

monitoring. It describes the status of all systems as they were during the first neutrino mass measurement campaign.

The hardware implementation is described in the corresponding sections below, which include the source, transport, spectrometer, and detector sections. Each of these has undergone its respective commissioning phase. The level of detail in the individual sections varies depending on the availability of previously published commissioning reports, which will be cited accordingly. For a complex system like the [KATRIN](#) experiment, the ability to precisely calibrate and monitor its many subsystems is imperative. There have been several dedicated measurement campaigns over the years to hone different calibration techniques using electron sources, as well as more recent campaigns which focused on building a better understanding of ion safety and plasma effects. Additional systems for monitoring every operating parameter — from the source gas composition and activity to the adjustment of the spectrometer’s high voltage — have successfully demonstrated the [KATRIN](#) experiment’s ability to meet its design requirements for stability and control.

2 System overview

2.1 Setup of the [KATRIN](#) experiment

The [KATRIN](#) tritium β -decay experiment consists of five main systems: the source system, the transport system, the spectrometer system, the detector system, and the rear system (figure 1). This section gives a short overview of the tasks the different systems have to perform. Detailed information, including references, can be found in subsequent sections.

Source system. The source system (section 3) delivers up to 10^{11} tritium β -electrons per second with high stability. Its main purpose is to provide the [Windowless Gaseous Tritium Source \(WGTS\)](#). It consists of the source magnet-cryostat system with a 10-m-long source tube, the [Rear Wall \(RW\)](#),¹ the [\$\beta\$ -Induced X-Ray Spectroscopy \(BIXS\)](#) system for monitoring the tritium source strength, and the tritium inner loop system. The inner loop system processes up to 40 g of pure tritium per day (section 3.3.1).

Transport system. The transport system (section 4) transports β -electrons adiabatically from the source to the spectrometer system. The tritium flow rate between the source and the spectrometer system is reduced by more than 12 orders of magnitude to keep the detector background rate from tritium β -decay in the [Main Spectrometer \(MS\)](#) below 1×10^{-3} cps. The reduction is achieved by a combination of differential and cryogenic pumping, the [Differential Pumping Section \(DPS\)](#) and the [Cryogenic Pumping Section \(CPS\)](#). Whereas the former uses a combination of [turbo-molecular pumps \(TMPs\)](#) to reduce tritium flow by 5 orders of magnitude, the latter is a cold argon frost system held at 3 K to 4 K, to further reduce tritium flow by more than 7 orders of magnitude.

Spectrometer system. The spectrometer system (section 5) consists of two large-volume [MAC-E](#) filter spectrometers: the [Pre-Spectrometer \(PS\)](#) and the [Main Spectrometer \(MS\)](#). In addition, there is the [Monitor Spectrometer \(MoS\)](#) in a parallel beamline (section 7.6). The [PS](#) can be configured to work as a pre-filter. Setting its retarding voltage down to -18.3 kV it can reject all β -electrons from the tritium source except those in the region of interest close to the β -spectrum endpoint E_0 . Due to its minimum magnetic field of 20 mT, the [PS](#) transports electrons adiabatically at all retarding potential settings, even grounded. The [MS](#) is designed to analyze the energy of the tritium β -electrons with a resolution of ~ 1 eV. However, in the standard neutrino mass measurement mode, the energy resolution is set to 2.77 eV for 18.6-keV electrons, see section 2.2.

Detector system. The detector system (section 6) counts all β -electrons and background electrons which pass through the [MS](#), and enables systematic investigations of the whole [KATRIN](#) experiment. Its main component is the [Focal Plane Detector \(FPD\)](#). It can handle high count rates (on the order 1 Mcps over the entire detector) necessary for test and calibration measurements with sources such as $^{83\text{m}}\text{Kr}$, as well as a timing resolution of < 100 ns for time-of-flight mode measurements.

¹For technical reasons is the [Rear Wall \(RW\)](#) located in the glovebox of the [Rear System \(RS\)](#) (figure 2).

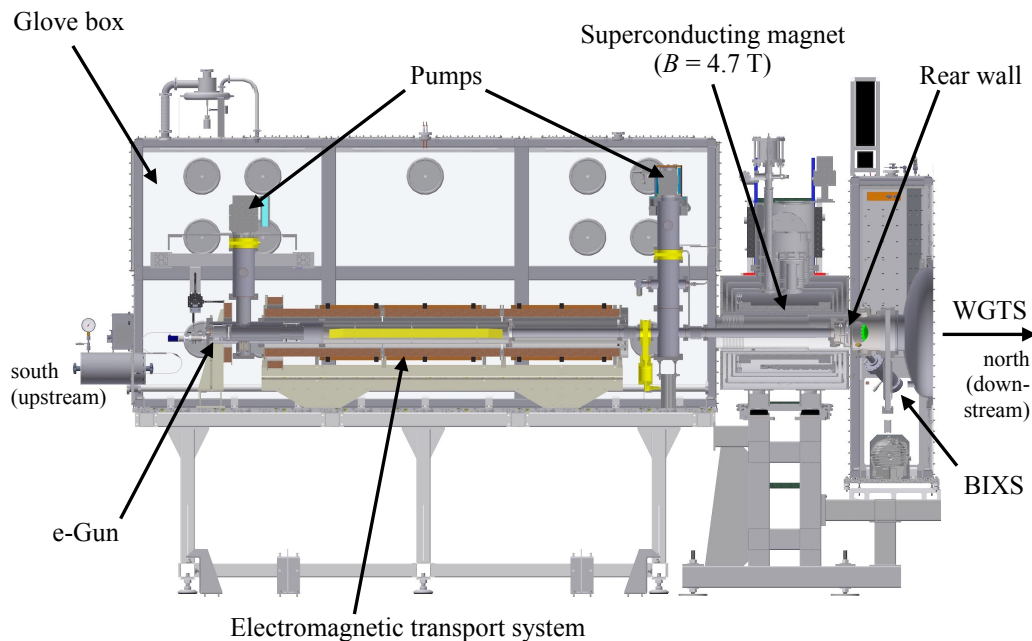


Figure 2. CAD drawing of the RS seen from the eastern side. This is the upstream end of the experiment, facing downstream (north) towards the WGTS. The two main components are shown here: electron gun (e-gun) system and the superconducting magnet. In addition, the Rear Wall (RW) which separates the RS from the WGTS, and the BIXS system which monitors the tritium source strength by measuring the X-rays from the RS are displayed. The parts which have contact to tritium are enclosed in a glovebox.

Rear system. The rear system is located upstream of the source system (figure 2). It consists of an e-gun system for calibration and monitoring purposes (section 7), and a superconducting magnet to guide the e-gun electrons into the WGTS. The rear system enables the monitoring of crucial operation parameters, such as source gas composition, source gas activity, and MS high voltage stability.

Numerous interplaying parameters and processes contribute to the overall performance of the KATRIN experiment, which needs to be operated in a reliable, stable and reproducible way over a measurement period of several years. In order to achieve this, both a distributed calibration and monitoring system (section 7) and a complex data and control infrastructure (section 8) have been developed, installed, and commissioned.

2.2 Key parameters of the KATRIN experiment

The key parameters of the experiment were specified such that there are comparable contributions of statistical ($\sigma_{\text{stat}} = 0.018 \text{ eV}^2$) and systematic ($\sigma_{\text{syst,tot}} = 0.017 \text{ eV}^2$) uncertainties to the neutrino mass squared $m_{\bar{\nu}}^2$ after 3 full years of beam time.

The key operation parameters of the KATRIN experiment are summarized in table 1. The following list provides a short description of each parameter:

- Column density ρd : the integrated number of tritium molecules along the beam tube axis per unit of cross-sectional area.

- Tritium purity ε_T : the fraction of tritium atoms in the gas before injection into the [WGTS](#),

$$\varepsilon_T = \frac{N_{T_2} + \frac{1}{2}(N_{DT} + N_{HT})}{N_{T_2} + N_{DT} + N_{D_2} + N_{HT} + N_{HD} + N_{H_2}}, \quad (2.1)$$

where $N_{\{XY\}}$ is the number of molecules of a given isotopologue, with $\{X,Y\}$ being {tritium (T), deuterium (D) or hydrogen (H)}.

- HT/DT ratio κ :

$$\kappa = \frac{N_{HT}}{N_{DT}}. \quad (2.2)$$

- Source temperature T_S : the temperature of the source beam tube.
- Source tube temperature stability $\sigma_{T,S}$: the stability of the source tube temperature over time.
- Source magnetic field B_S : the magnetic field inside the source tube. This is the starting magnetic field of the β -electrons.
- Transported magnetic flux Φ : the magnetic flux which has to be guided from the [WGTS](#) through the whole system to the detector free of any obstacles.

$$\Phi = \int \vec{B} \cdot d\vec{A} \quad (2.3)$$

where \vec{B} is the magnetic field and \vec{A} the surface element. The transmission of electrons from the [e-gun](#) and krypton sources, and hence the correct alignment of the entire beam line, has been successfully achieved in the First Light commissioning campaign 2016 [11].

- Maximum magnetic field B_{\max} : the maximum value of the magnetic field located at the pinch magnet at the downstream end of the [MS](#). The ratio of B_S to B_{\max} defines the maximum accepted pitch angle θ_{\max} (see equation (5.3) and section 5.1).
- Retarding voltage monitoring precision σ_{HV} : the precision to which the spectrometer's retarding voltage can be measured.
- Spectrometer energy resolution ΔE : the energy resolution for a [Magnetic Adiabatic Collimation with Electrostatic \(MAC-E\)](#) filter configuration is the amount of energy, which remains in the cyclotron motion even after adiabatic collimation of a transmitted β -electron from an isotropic source. See section 5.1 for details.
- Background B: the detector signals that are produced by processes other than β -electrons.

The most notable differences compared to the specifications from the design report [1] are a global 70% scaling of the magnetic fields and an increased background. The magnetic field reduction was necessary due to the technical limitations of the [CPS](#) magnet system (section 4.2). The increased background is due to a new background source which was not observed in previous, less sensitive experiments. The reduction of this background was achieved at the cost of a worsened [MS](#) energy resolution. The optimal trade-off between background and energy resolution with respect to the neutrino mass sensitivity was found for a background level around 300×10^{-3} cps at an energy resolution of 2.77 eV for 18.6-keV electrons.

Table 1. Key operation parameters of the **KATRIN** experiment. The first column represents the values given in the **technical design report (TDR)** [1]. The second column shows the current standard **KATRIN** operational settings, where those values marked with a * were determined during commissioning measurements.

Parameter	Design Report	Standard Setting
Column density ρd	$5 \times 10^{17}/\text{cm}^2$	$5 \times 10^{17}/\text{cm}^2$
Tritium purity ε_T	>95 %	>95 %*
Source temperature T_S	27 K	30 K*
Source tube temperature stability $\sigma_{T,S}$	<0.1 %/h	<0.1 %/h*
Source magnetic field B_S	3.6 T	2.52 T
Transported magnetic flux Φ	191 T cm ²	134 T cm ²
Maximum magnetic field B_{max}	6 T	4.2 T
Retarding voltage monitoring precision σ_{HV}	$<3 \times 10^{-6}$	$<3 \times 10^{-6}$
Spectrometer energy resolution ΔE	0.93 eV	2.77 eV *
Background B	10×10^{-3} cps	300×10^{-3} cps*

2.3 Measurement modes

The **KATRIN** experimental setup can be operated with different control parameters that allow various measurement modes, including standard neutrino-mass runs, regular calibration measurements, and dedicated studies on systematic effects. Between measurement phases, the experiment is put into maintenance mode typically at least once per year.

Neutrino-mass mode. This is the standard mode of operation to continually adjust the retarding voltage of the **MS** in the range of $[E_0 - 40 \text{ eV}; E_0 + 50 \text{ eV}]$ while tritium is in the system. This scanning range can be adjusted if required. The voltage and the time spent at each setting are defined by the **Measurement Time Distribution (MTD)** (figure 3). A typical run at a given voltage lasts between 20 s and 600 s; a full scan of the energy range given above takes about 2 h.

Of these standard neutrino-mass runs, a small portion will be dedicated to sterile neutrino searches. These searches involve scanning much farther (order of keV) below the endpoint E_0 .

Calibration mode. To check the long-term system stability, calibration measurements are done regularly. The neutrino-mass mode is suspended for the duration of these measurement:

- An energy calibration of the **FPD** (section 6) is performed weekly, which requires closing off the detector system from the main beamline for about 4 h.
- The offset and the gain correction factor of the low-voltage readout in the high-voltage measurement chain needs to be calibrated based on standard reference sources (section 5.3.4). This requires stopping the precision monitoring of the **MS** retarding potential twice per week for about 0.5 h each.

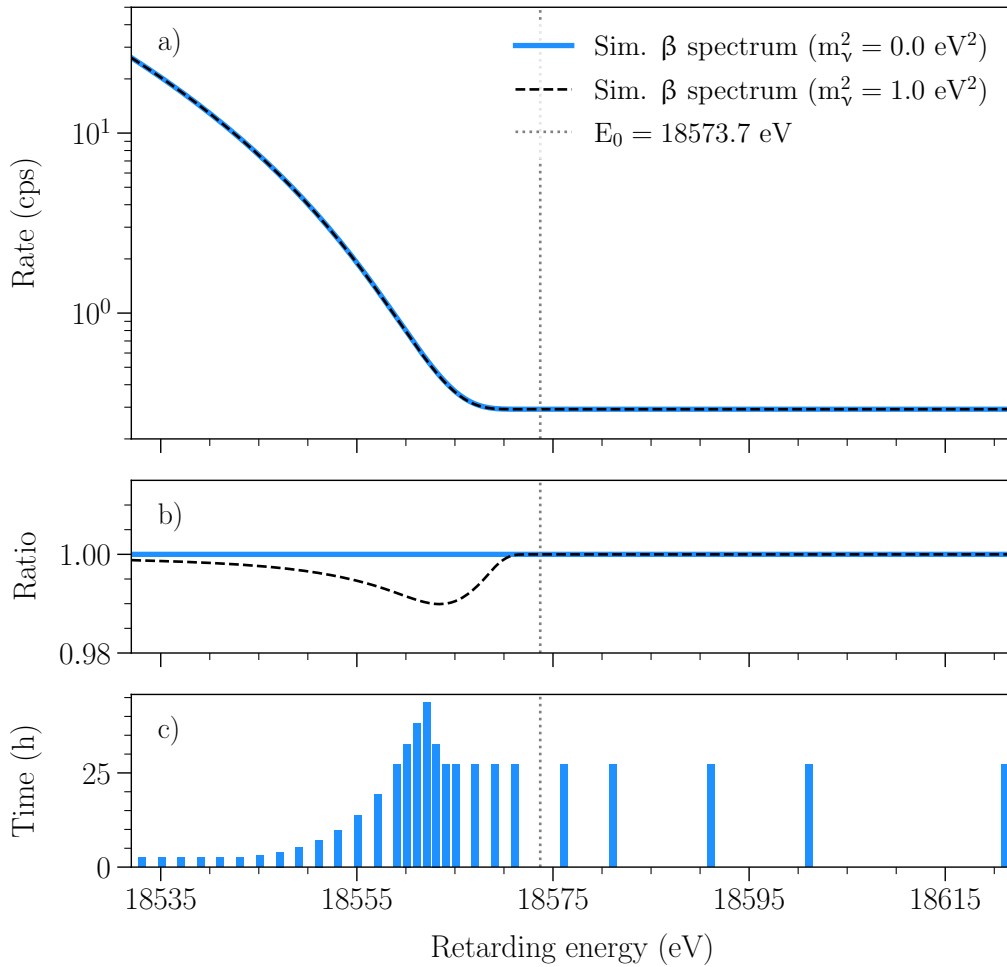


Figure 3. Scanning scheme and MTD for measuring a continuous spectrum with a MAC-E filter. Plot (a) shows two simulated integrated electron energy spectra in a 90-eV wide energy window around the endpoint E_0 of tritium β -decay. Simulation input parameters and endpoint energy value are taken from [2]. The two different spectra are compared near the β -decay endpoint: one with a squared neutrino mass of 1.0 eV^2 , and one with 0.0 eV^2 . Their ratio is shown in plot (b). The MTD in plot (c) shows how the amount of time spent at each retarding potential is defined, which is needed to discriminate both spectra with the highest sensitivity. It is optimized for a neutrino mass sensitivity of 1 eV . The region with the largest amount of time allotted per retarding potential corresponds to the energy range where the neutrino mass causes the largest deviation from the zero-mass spectrum.

- The column density of the WGTS (section 3) is determined by a dedicated calibration electron source. The MS is set to a fixed retarding potential while the energy of the dedicated electron source is varied in a 200-eV range. This measurement takes about 2 h, typically once per week.

Systematic-effects modes. In addition to the regular neutrino-mass and calibration modes, the system is also operated under special conditions to study various systematic effects. These measurements were performed during system commissioning and are not part of the typical operation of the experiment:

- The investigations of the **MS** background require closing off the spectrometer and detector sections from the source and transport sections. The measurement is then performed at a fixed spectrometer voltage, typically for several hours. Multiple runs are often combined to accumulate sufficient statistics. Further details on these backgrounds, as well as their mitigation, are discussed later in the paper (section 5.5).
- The energy loss of signal electrons due to scattering in the source section [12] is studied by a mono-energetic photoelectron source at the **RS**. These electrons are used as probes to determine the loss at different energies, and are used to form an *in situ* measurement of the energy loss function (section 7.7.1). A typical measurement set takes about 12 h to collect; data from several sets are combined in the analysis.
- Plasma effects, which influence the potential seen by β -electrons in the **WGTS**, were explored using the **Gaseous ^{83m}Kr Source (GKrS)** in the **WGTS** (section 7.7.3). These investigations demonstrated how the **RW** can be used to control and stabilize the plasma effects (section 3.4).
- The detection and blocking of ions in the beamline is of vital importance. These ions are a potential source of background electrons in the spectrometer section, and could damage the **FPD** if they are not blocked. Studies on ion detection and blocking techniques were completed as part of an ion safety check (section 7.4).

Maintenance mode. This mode is scheduled at least once a year for dedicated maintenance tasks, such as servicing cryogenic pumps, conditioning the spectrometers' vacuum via bake-out, **CPS** regeneration, and other infrastructure upkeep. With one or more subsystems taken offline for maintenance, no data is taken in this mode.

3 Windowless gaseous tritium source

An ultra-luminous windowless gaseous tritium source (**WGTS**) with an activity of up to 10^{11} Bq is used in the **KATRIN** experiment. Such a source was operated by the LANL experiment [13] and developed further by the Troitsk experiment [14]. Section 3.1 describes the working principle of a **WGTS** and summarizes the main requirements the **WGTS** has to fulfill in the **KATRIN** experiment. To implement a **WGTS**, key systems are needed which are described in the sections 3.2, 3.3 and 3.4.

3.1 WGTS principle and basic requirements

The working principle of the **WGTS** is shown in figure 4. A **WGTS** consists of a tube filled with high-purity molecular tritium gas. The tritium decays inside the tube and the β -electrons are adiabatically guided (without disturbing the electron's energy) to the spectrometer by a magnetic field. The tube has no windows at its ends to prevent energy loss of the electrons in the window material.² The tritium molecules therefore can freely diffuse from the middle of the tube to both ends, where they are pumped away to prevent the spectrometer from being contaminated. A continuous injection of fresh tritium results in a stable longitudinal density profile of tritium molecules, as shown schematically in figure 4. The **WGTS** needs to be operated at low temperatures (below 100 K) to

²Energy loss by inelastic scattering of electrons with the tritium gas exists and needs to be taken into account.

reduce the conductance of the tube, and therefore the tritium throughput necessary for maintaining the tritium molecule density.

The **WGTS** tube in the **KATRIN** experiment is 10 m long and has a diameter of 90 mm. The reference column density is 5.0×10^{17} molecules/cm². Superconducting solenoids generate a homogeneous magnetic field of up to 3.6 T, which adiabatically guides the β -electrons towards the tube ends. The nominal magnetic field configuration of the **KATRIN** experiment is set such that β -electrons with starting angles of up to 51° with respect to the magnetic field are transmitted through the beam line [1].

A large amount of tritium on the gram scale is needed to operate the **WGTS**. For a given amount of tritium inside the source tube, there needs to be more than 10^4 times as much tritium in the entire system. This is due to the fact that one has to operate dedicated loops and buffer volumes for tritium supply and tritium purification. Therefore, the use of the **WGTS** requires access to a laboratory with an adequate tritium infrastructure. For that reason the **KATRIN** experiment was set up at the **Karlsruhe Institute of Technology (KIT)**, whose on-site **Tritium Laboratory Karlsruhe (TLK)** is currently the only scientific laboratory equipped with a closed tritium cycle [15] and licensed to handle the required amount of tritium. Figure 5 gives an overview of how the source and transport systems are connected to the tritium loops and the **TLK** infrastructure. For additional details, see sections 3.3, 3.4, 4.1 and 4.2.

The high stability of the tritium isotopic composition and the column density of the **WGTS** are vital to the determination of the neutrino mass. These parameters are associated with several leading systematic uncertainties: activity fluctuations of the **WGTS**, energy-loss corrections due to scattering of β -electrons with tritium molecules in the **WGTS**, and the final-state spectrum. The precise knowledge of these parameters is crucial to combining the data which will be taken over

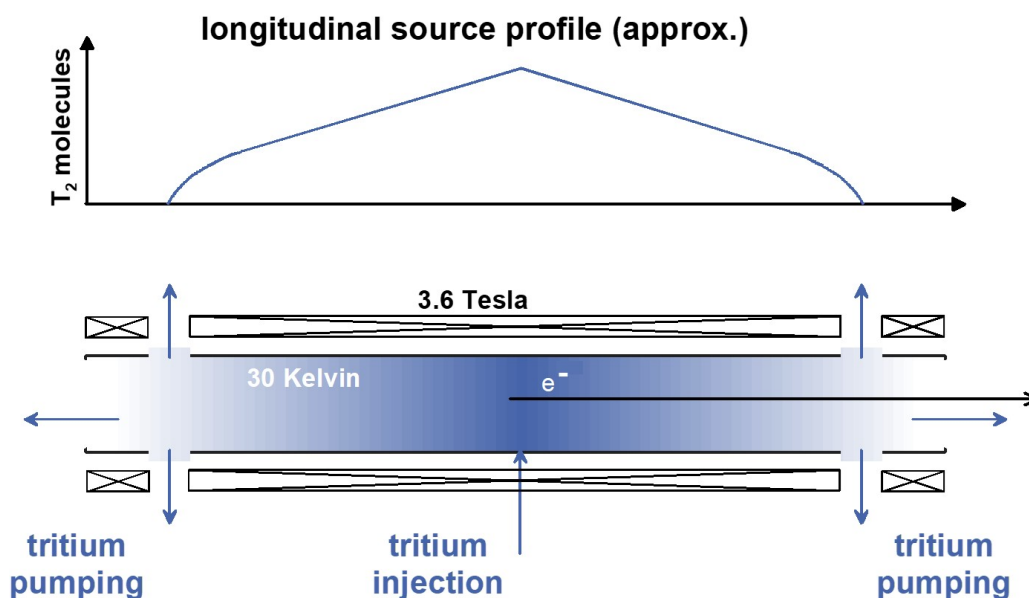


Figure 4. The working principle of the **Windowless Gaseous Tritium Source**. The density profile inside the beam tube is kept constant by continuous injection of tritium gas in the middle and pumping it out at both ends. The **WGTS** beam tube of **KATRIN** is 10 m long and has a diameter of 9 cm.

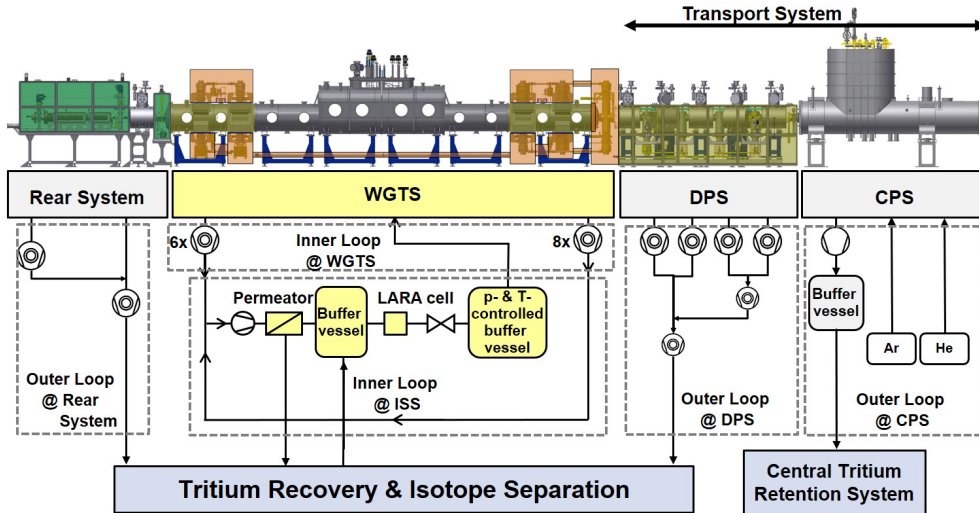


Figure 5. Scheme of the source and transport systems with tritium loops and the [Tritium Laboratory Karlsruhe \(TLK\)](#) infrastructure. To achieve the required tritium column density, the tritium gas is operated in a closed Inner Loop (yellow parts). Tritium gas which diffuses out of both ends of the [WGTS](#) beam tube is pumped out by the pumping systems of the Outer Tritium Loop. All tritium loop systems are connected to the infrastructure systems of [TLK](#). All systems can be separated by gate valves. The Rear System contains the High Resolution Angular Selective Electron Gun which is i.a. used for energy loss measurements in the tritium source (section 7.7.1).

the extended measurement period of a few years [1]. Table 1 summarizes the key parameters of the [KATRIN](#) experiment, including the two key parameters of the [WGTS](#): column density and tritium purity. The stability requirement for the column density is $<0.1\%/h$. This leads to stringent stability limits for other operating parameters such as source temperature, injection rate and pumping speed. The [WGTS](#) is planned to be used continuously for 10 weeks per measurement campaign and up to 3 campaigns per year. The combination of such stringent stability and continuous usage requirements presents a great technical challenge. This section gives a prescription to how these challenges were met and overcome.

A detailed discussion of the [WGTS](#) operating parameters and their impact on the systematic uncertainties of the neutrino-mass measurement can be found in [16]. The technical realization of the [WGTS](#) magnet cryostat system together with special tritium loops is described in the following two subsections.

3.2 [WGTS](#) magnet cryostat system

The [WGTS](#) magnet cryostat mainly consists of the following subsystems (figure 6):

- The 10-m-long [WGTS](#) beam tube within magnets M1, M2 and M3 (figure 4) encloses the windowless gaseous tritium source. The temperature of the tube is 30 K at standard conditions.
- The magnetic guiding system, with fields up to 3.6 T, guides β -electrons along the beam axis either downstream towards the spectrometers or upstream towards the [WGTS](#) rear wall.

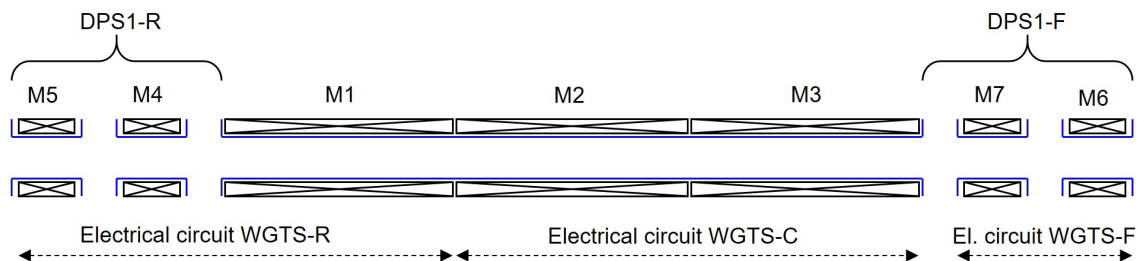


Figure 6. A sketch of the WGTS magnet cryostat. It consists of the central beam part with solenoids M1, M2 and M3, and a differential pumping section (DPS1-R/F) on both ends (solenoids M4-M7). The magnets are operated in 3 electrical circuits. Pump ports are located between M5 and M4, M4 and M1, M3 and M7, and M7 and M6.

- The differential pumping sections DPS1-R and DPS1-F with the corresponding beam tube elements and the pump ports at the ends of the **WGTS** beam tube reduce the tritium gas flow rate by a factor of about 200 and return the tritium to the injection system.

The magnet system consists of seven superconducting solenoids and four pairs of superconducting dipole magnets. Its setup is described in section 3.2.1. The commissioning results are reported in section 3.2.3. The requirements for temperature stabilization of the beam tube (section 2.2) are quite demanding, and can only be met with a dedicated cooling system. This system and its commissioning results are described in section 3.2.2 and section 3.2.3.

3.2.1 Magnet system setup

The **WGTS** magnet system is manufactured in one 16-m-long cryostat [17, 18], housing seven chambers of superconducting solenoids, a helium reservoir, beam tubes, and thermal shields. Seven solenoid modules with warm bores are installed in a straight line, surrounding five beam tube sections that are interconnected with four pumping ducts (figure 6). Three 3.3-m-long solenoid modules (M1, M2, and M3) are located at the central part of the **WGTS**, providing a homogeneous magnetic field along the 10-m-long central beam tube. Two 1-m-long solenoid modules are connected to the ends (M5 and M4 at the rear side, M7 and M6 at the front side). The solenoid modules are grouped in 3 electrical circuits: WGTS-R (M5, M4, and M1), WGTS-C (M2 and M3), and WGTS-F (M7 and M6) for driven-mode operation (operational scheme is explained in [19]), each with its own **Power Supply Unit (PSU)**. In addition, four dipole coil pairs are installed for the purposes of beam alignment and calibration. Two dipole coil pairs (DR_x and DR_y) are wound on the rear end module M5 and two other pairs (DF_x and DF_y) on the front end module M6. These are used to deflect the guiding magnetic fields radially up to 42 mm in the x- and y- directions relative to the z (axial) axis.³

The **PSUs** from FuG⁴ provide a current, which is stable to better than 10 ppm per 8 h, and which allows to meet the magnetic field stability requirement of better than 0.03 %/month at the source. The field stability of the magnets in WGTS-R and WGTS-C can be monitored by a closed-loop flux

³This is necessary for both beam alignment and systematic investigations, e.g. to investigate the density of the tritium source as a function of the radial position by means of electrons from an e-gun.

⁴FuG Elektronik GmbH, <https://www.fug-elektronik.de>.

Table 2. Possible operation modes of **WGTS** magnet cryostat. By changing the coolant, the **WGTS** beam tube temperature can be operated at different temperature regimes. With a given coolant, the temperature can be fine-tuned by adjusting the pressure in the two-phase cooling system.

Coolant	Temperature Range for Operation
Neon	28 K–37 K
Nitrogen	80 K–103 K
Argon	90 K–115 K

gate sensor in the **PSU**, while those in **WGTS-F** can be monitored via a precision resistor in the **PSU**. More details about the magnet system including the magnet safety system are described in [19–21].

The superconducting coils of the **WGTS** are cooled in a liquid helium (LHe) bath at 4.5 K and 0.13 MPa that is provided in a 1.5 m³ helium reservoir by Joule-Thompson expansion of supercritical helium [17]. The supercritical helium at 5 K and 0.5 MPa is supplied by a LINDE⁵ TCF 50 refrigerator [22]. The cryostat including the magnet chambers and the He reservoir has a total LHe volume of about 2.8 m³. This volume is sufficient to keep the system at 4.5 K for about 24 h in case of an LHe supply interruption. The cryostat is equipped with a safety valve opening at 0.2 MPa overpressure and a burst-disc opening at 0.3 MPa overpressure for the 4.5 K helium cooling system.

3.2.2 Setup of the beam tube cooling system

In order to achieve the temperature stability requirement of 0.1 % in the central beam tube of the **WGTS** [1], a unique two-phase neon cooling system was developed [17, 18]. Two 16-mm-diameter tubes are brazed to both sides of the central beam tube and are filled with two-phase neon (figure 7) with both liquid and vapor phase occupying about half of the cross-section. Neon was selected as it offers a suitable vapor pressure of 2 bar at 30 K [23]. Other coolants allow for other beam-tube operation temperatures (table 2).

The liquid neon evaporates due to heat input and diffuses towards the thermosiphon at one end of the cooling pipes. In a heat exchange with the 25 K cooling circuit of gaseous helium, the neon is re-liquefied and flows back towards the cooling tubes. No mechanical pumping is required for this two-phase cooling system. The evaporation process of neon is controlled by four heating wires of up to 2 W each. The heating power is adjusted according to the measured temperature fluctuations so that the resulting temperature stability is further improved.

The DPS1-R/F are cooled in separate cycles. For both inner parts (inside M4 and M7, figure 6), a two-phase neon cooling system is applied, while the two outermost beam tube elements (inside M5 and M6) are cooled with gaseous nitrogen only. The gaseous neon is at a temperature of ~80 K. Its cooling cycle is coupled via a heat exchanger to the outer shield of the **WGTS**, which is cooled by liquid nitrogen [18]. A higher temperature and a worse temperature stability can be tolerated for these outer sections of the **WGTS**, as the tritium density is much lower than that in the central beam tube.

The pump ports at both ends of the central beam tube are each equipped with four **TMP**, whereas each of the two pump ports in the DPS1-R/F has two **TMP** (section 3.3.2). The pumps are operated at room temperature. In order to minimize the heat load from the pumps, the pumping

⁵Linde Kryotechnik AG, <https://www.linde-kryotechnik.ch>.

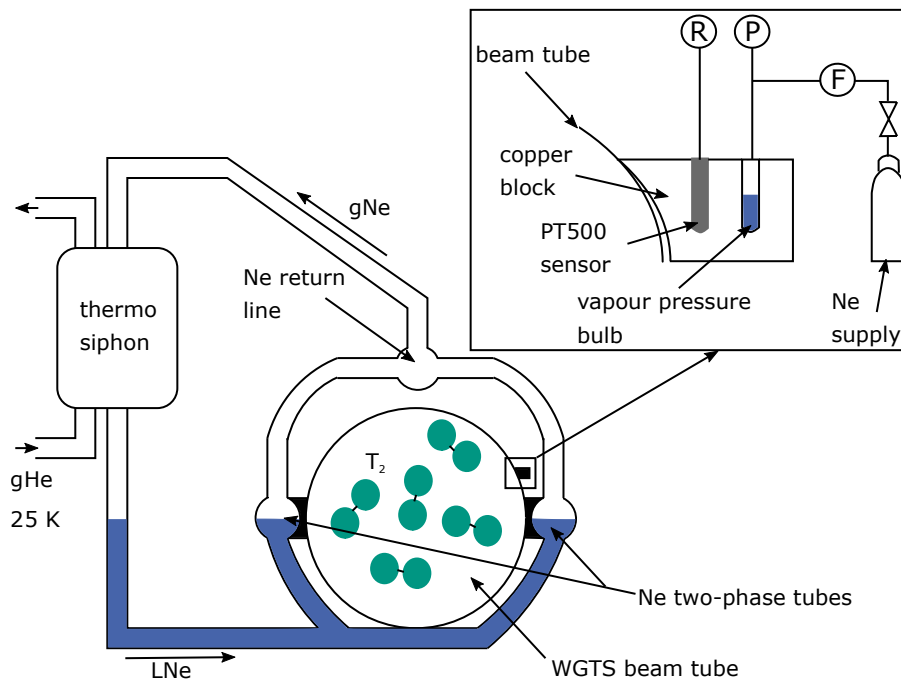


Figure 7. The two-phase cooling of **WGTS** beam tube. This figure presents the two-phase neon cooling of the **WGTS** central beam tube with the temperature monitoring and calibration system as described in the main text (R — resistance, P — pressure transducer, F — flow meter). The abbreviation gHe stands for gaseous helium, gNe for gaseous neon and LNe for liquid neon. This figure is reproduced from [24] (adapted from [17]).

ducts are lined with thermal radiation shield on their inner surface [18]. The concentric shields are blackened by $\text{Al}_2\text{O}_3/\text{TiO}_2$ and cooled with liquid nitrogen. The pumping chamber itself is cooled to ~ 30 K by the gaseous helium circuit.

For $^{83\text{m}}\text{Kr}$ operation (section 7.7.3), the **WGTS** temperature has to be increased to about 80 K to 100 K⁶ to prevent krypton atoms from freezing out on the inner surface of the beam tube at partial pressures of $\ll 1$ mbar [25]. The **WGTS** temperature is stabilized by replacing neon with argon [17, 26]. The temperature of the gaseous helium circuit is adjusted accordingly.

The temperature along the beam tube in the **WGTS** is monitored with a total of 52 platinum wire-wound glass sensors (Pt500 or Pt1000) [27]. Twenty-four Pt500 sensors are mounted on the central beam tube and two in each of the pump ports at the end of the central beam tube. The DPS1-R/F are equipped with ten Pt1000 sensors each, and two are further placed in each of the DPS1-R/F pump ports. The sensors are supplied with a current of $500\ \mu\text{A}$ by a Keithley (model 6220)⁷ DC current source. The voltage is read out in a 4-wire sensing configuration by Gantner (Q.bloxx, model A107 and A105).⁸

In the **KATRIN** experiment, the relative temperature changes are monitored as well as the absolute temperature of the central beam tube. This requires the calibration of the 28 Pt500 sensors, positioned at the central beam tube and in the pump ports [27]. The Pt500 sensors are each placed in

⁶The precise value is chosen in dependence on the experimental program.

⁷Keithley Instruments, <https://www.tek.com/keithley>.

⁸Gantner Instruments GmbH, <https://www.gantner-instruments.com>.

a copper block brazed to the beam tube. The copper block contains a vapor pressure bulb, which is filled with two-phase neon during calibration, with each the liquid and vapor phase occupying about half of the volume. The absolute temperature is derived from the saturation vapor pressure being read out with pressure transducers from Endress+Hauser.⁹ With this technique, the trueness of the temperature value of 83 mK at 30 K and 163 mK at 100 K are achieved for the Pt500 sensors [24].

3.2.3 Commissioning of the WGTS magnet cryostat system

After its delivery to KIT in 2015, the **WGTS** magnet cryostat system was positioned in the **TLK** hall and connected to the cryogenic transfer lines and the electrical cabinets. An intensive commissioning campaign was conducted, including electrical tests and control system checks, and led to the first cool-down to 30 K in 2016. From that time until the end of 2018, the **WGTS** magnet cryostat was returned to room temperature once for half a year of maintenance. For the rest of the time, the **WGTS** magnet cryostat remained at 30 K or 100 K. The change of the operational temperature was done by thermal radiation only [29]: the two-phase tubes were evacuated and the gaseous helium circuit was set to a new temperature set-point. When the operational temperature was increased from 30 K to 100 K, thermal radiation from the gaseous helium circuit at 95 K heated up the beam tube until argon can be condensed in the two-phase tubes. This process took about two days [24]. In the case of cooling from 100 K to 30 K, thermal radiation from the beam tube was absorbed by the gaseous helium circuit at 25 K until neon could be condensed in the two-phase cooling tubes. This took about three days [24].

In the following, the main results of about three years of **WGTS** operation at 30 K and 100 K are summarized.

Temperature stability at 30 K. The temperature stability of the central beam tube at 30 K is [24] (figure 8)

$$\left| \frac{\Delta T}{T} \right|_{\text{CB},30\text{K}} < (5 \pm 1) \times 10^{-5}/\text{h}. \quad (3.1)$$

For the DPS1-R/F sensors, a temperature stability of

$$\left| \frac{\Delta T}{T} \right|_{\text{DPS1-R/F},30\text{K}} < (8 \pm 1) \times 10^{-5}/\text{h} \quad (3.2)$$

is found [24]. Both values safely met the requirements of $|\Delta T/T|_{\text{CB}} < 1 \times 10^{-3} \text{ h}^{-1}$ [1] and $|\Delta T/T|_{\text{DPS1-R/F}} < 1 \times 10^{-2} \text{ h}^{-1}$ [24].

Temperature stability at 100 K. The same temperature stability requirements as for 30 K have to be fulfilled at 100 K. For both the central beam tube and the DPS1-R/F, the measured stability is more than one order of magnitude better [24]:

$$\left| \frac{\Delta T}{T} \right|_{\text{CB},100\text{K}} < (4.9 \pm 0.4) \times 10^{-5}/\text{h}, \quad (3.3)$$

$$\left| \frac{\Delta T}{T} \right|_{\text{DPS1-R/F},100\text{K}} < (5.43 \pm 0.04) \times 10^{-4}/\text{h}. \quad (3.4)$$

⁹Type Cerabar S PMC71, Endress+Hauser GmbH+Co.KG, <https://www.de.endress.com>.

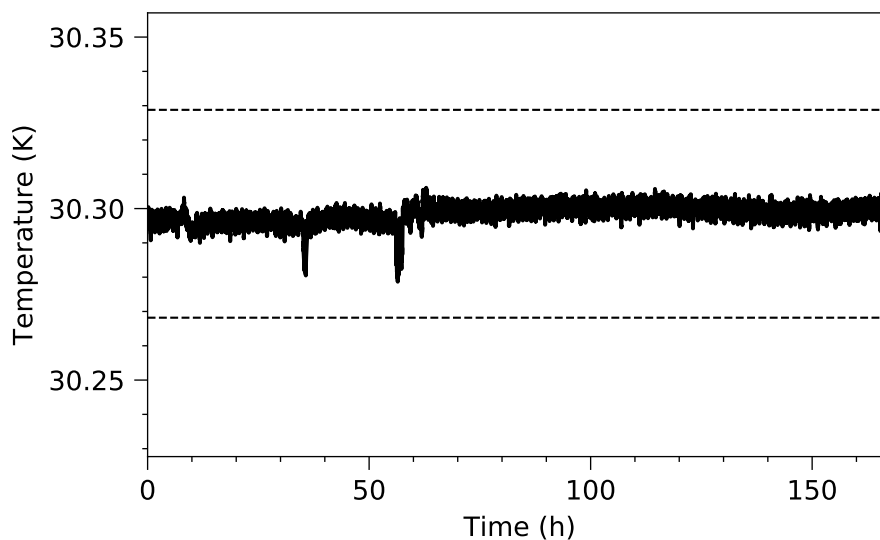


Figure 8. Temperature stability of the [WGTS](#) central beam tube at 30 K. The temperature trend for one of the 24 Pt500 sensors is shown for one week of measurement time. The dashed lines mark the range with the specified value of $\pm 0.1\%$.

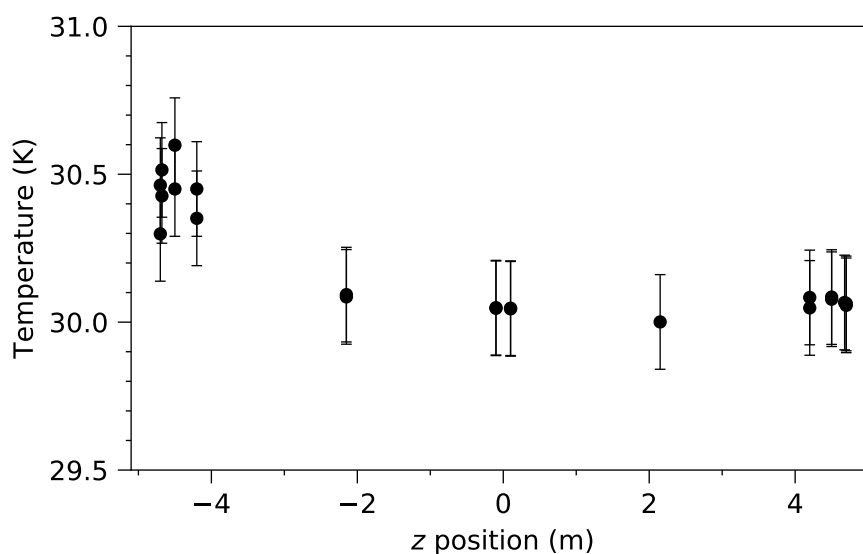


Figure 9. Temperature homogeneity of the [WGTS](#) central beam tube at 30 K. The plot shows the mean temperature during one week of analyzed measurement time of the PT500 sensors at their position along the central [WGTS](#) beam tube. The errorbars are displaying the total uncertainty (including systematic contributions) of the measurement. The temperature shows an increase of (594 ± 226) mK towards the rear end of the [WGTS](#) due to the heat load of the vapor pressure capillaries. Figure adapted from [24].

Temperature homogeneity. The temperature homogeneity $|\Delta T/T|_{\text{Hom}}$, or the temperature variation along the central beam tube of the **WGTS**, has to be better than 10^{-3} for both operating modes at 30 K and 100 K [1]. The first measurements with the **WGTS** demonstrator showed a temperature inhomogeneity of 2.8×10^{-2} at 30 K, exceeding the requirement by more than one order of magnitude [30].¹⁰ The capillaries of the vapor pressure bulbs (figure 7) were identified as the reason for this result since they introduced additional heat to the system. After a re-arrangement of the capillaries inside the final **WGTS** cryostat, the inhomogeneity was reduced to [24] (figure 9)

$$\left| \frac{\Delta T}{T} \right|_{\text{Hom}, 30 \text{ K}} = (2.0 \pm 0.8) \times 10^{-2} . \quad (3.5)$$

In contrast to the **WGTS** demonstrator design, the rear end of the central beam tube is at a higher temperature of about 0.6 K. The consequences of this higher temperature are small: since β -electrons created in this region have to travel through the whole gas column and therefore have a higher probability to scatter and to lose energy, only a small fraction is used for the neutrino mass analysis. The very good temperature stability allows the consideration of the temperature inhomogeneity in the gas dynamics model of the tritium source [31–33].

For 100 K operation of the **WGTS**, the homogeneity requirement is nearly met [24]:

$$\left| \frac{\Delta T}{T} \right|_{\text{Hom}, 100 \text{ K}} = (1.0 \pm 3.0) \times 10^{-3} . \quad (3.6)$$

Stand-alone time. The magnets can be kept cold at 4.5 K for about 16 h after magnet cooling has been interrupted from the refrigerator at a LHe level of 55 %.

Maximum operational currents. The **WGTS** magnets have reached the maximum design current of 310 A for the **WGTS-R** and **WGTS-C**, and 209 A for **WGTS-F** without training quench. The safety system that was developed for the driven mode of the magnets has been successfully tested [21]. The three dipole-coil pairs have been tested up to the current of 110 A needed to deflect the guiding magnetic field radially up to 42 mm for the design magnetic setting of the experiment. One dipole-coil pair (**DFy**) could not be operated because of a short circuit to ground under cold condition. In combination with the main solenoids at 70 % of the design current, the two dipole coil pairs (**DRx** and **DRy**) at the rear side have been tested for the 70 %¹¹ setting, which is the nominal value for neutrino-mass operation mode (table 1).¹²

Current stability. The instabilities of the magnet currents at the standard setting (70 % of the design fields) are summarized in table 3. In an 8-h measurement, the data of the current

¹⁰In order to test the novel cooling system of the tritium source beam tube, a twelve meter long test cryostat was built by the manufacturer and delivered to KIT in 2010. Apart from the magnets and the magnet cooling system, the so-called demonstrator contained all original components of the central **WGTS** magnet cryostat. After end of the tests the demonstrator was sent back to the manufacturer for final assembly of the complete **WGTS** magnet cryostat.

¹¹The fields were set to 70 % of their design values in order to operate the magnets at a safe level without a quench risk of the complex systems.

¹²As already mentioned before, the dipole coils are only needed for systematic investigations. The unavailability of **DFy** can be compensated by adaptation of the measurement plan.

sensors of the power supplies were taken for the calculation of the average value I_{av} , the standard deviation σ and their ratio as a measure of the relative fluctuation. These values are compared with $I_{av,ext}$ and σ_{ext} , calculated from external current sensor data. The external sensors are installed on each circuit for magnet safety. The difference between I_{av} and $I_{av,ext}$ is below 0.05 %, and the relative fluctuation is in both cases within the specification of 0.03 %.

Table 3. Instabilities of the magnet currents at the standard setting (70 % of the design fields). Eight hours of data were taken with the current sensors of the stable power supplies for calculating the average current I_{av} . $I_{av,ext}$ is calculated from the data of the external DC current transducer sensors^a installed on each circuit for use in the magnet safety system. A small offset value at zero-current has been corrected for I_{av} and $I_{av,ext}$. σ and σ_{ext} are the standard deviations.

	WGTS-R	WGTS-C	WGTS-F
I_{av} (A)	216.564	215.800	145.921
σ (A)	2.8×10^{-4}	2.0×10^{-5}	2.0×10^{-4}
σ/I_{av} (%)	1.3×10^{-4}	9.6×10^{-6}	1.3×10^{-4}
$I_{av,ext}$ (A)	216.677	215.875	145.982
σ_{ext} (A)	3.0×10^{-2}	2.4×10^{-2}	2.5×10^{-2}
$\sigma_{ext}/I_{av,ext}$ (%)	1.4×10^{-2}	1.1×10^{-2}	1.4×10^{-2}

a) Type IT 400-S Ultrastab, LEM, <https://www.lem.com>.

3.3 Tritium loops

The required stability of the tritium column density and the purity of the tritium gas in the KATRIN source (section 3.1) can only be achieved by means of closed tritium loops and a dedicated tritium injection system. These parts of the KATRIN experiment are described below.

3.3.1 Tritium loops overview

The tritium loop system consist of two interlinked loops, the **Inner Loop (IL)** and the **Outer Loop (OL)**. A schematic is shown in figure 10. The loops have different functions and are operated differently:

Inner Loop. The Inner Loop (figure 11) provides the tritium gas profile in the WGTS beam tube [32] by continuous and stable injection of high-purity tritium gas into the beam tube, and by continuous and stable pumping of tritium in the differential pumping sections DPS1-F/R (section 3.2). During the measurement phases, the tritium throughput is about 40 g per day. A fraction of the circulated tritium (around 1.2 % of the flow rate) is continuously extracted from the IL and exchanged with pure tritium to keep the tritium concentration high. For detailed information, see [34]. The monitoring of all hydrogen isotopologues is realized with a tritium-compatible in-line Laser-Raman system (section 7.2).

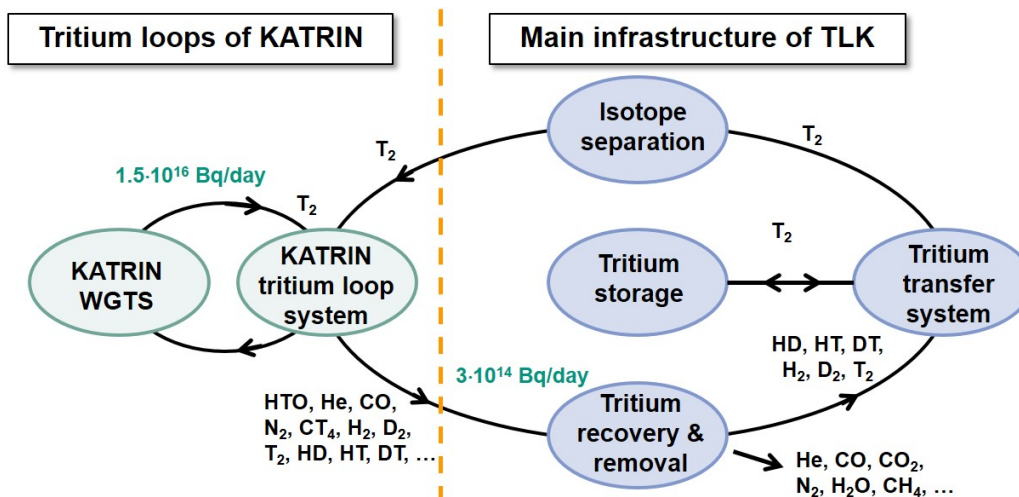


Figure 10. The tritium loop schematic (simplified) with focus on tritium paths. Displayed here is the **Inner Loop (IL)** (left, clockwise) and the **Outer Loop** (right, counterclockwise). The specific systems of the **KATRIN** experiment are displayed in green, and the main infrastructure systems of **TLK** in blue. The **KATRIN** tritium loop system is part of both loops. Details are given in the main text.

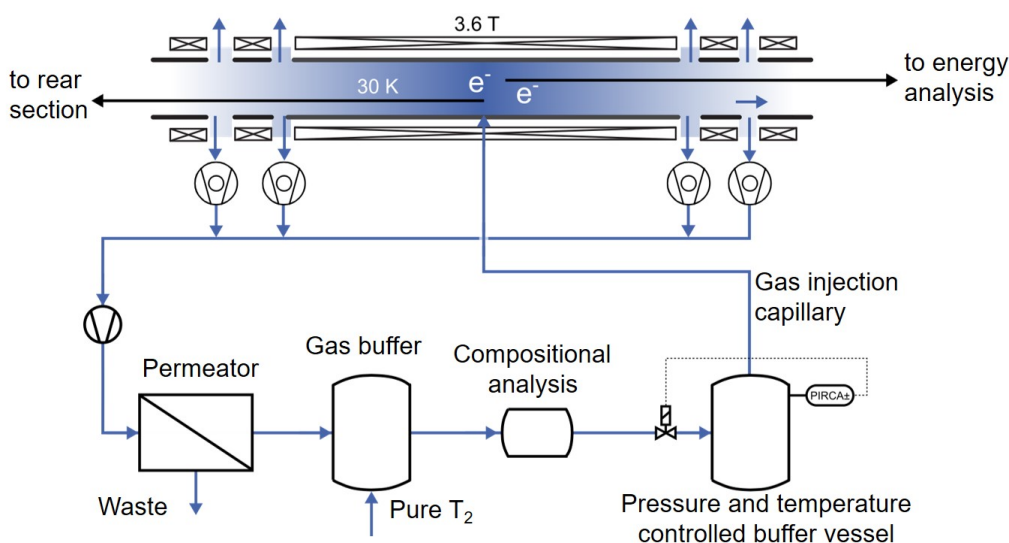


Figure 11. The schematics of the **IL** with stabilized injection of tritium gas into the beam tube.

Outer Loop. The Outer Loop provides the **KATRIN** experiment with pure tritium (purity above 95%), and collects and recycles degraded tritium gas (referred to as exhaust gas) originated from the **IL** and from the differential pumping systems at the **DPS** (section 4.1) and the Rear System. The **OL** is operated in batch-wise mode during normal working hours: the exhaust gas is stored in a buffer vessel and transferred in batches (up to 20l) to the **TLK** infrastructure (figure 10) for hydrogen isotope recovery and impurity removal, and subsequently, for hydrogen-isotope separation. These specialized systems are distributed across the entire **TLK**

and connected with several hundred meters of piping. For detailed information on the **OL** and on the **TLK** infrastructure, see [15] and [35].

3.3.2 KATRIN tritium loop system setup

The **KATRIN** tritium loop system is part of both the **IL** and the **OL** (figure 10). It includes all tritium systems necessary for stabilized circulation of tritium, impurity separation via a permeator,¹³ intermediate tritium and exhaust gas storage, gas transfer from the **TLK** Isotope Separation System and to the **TLK** Tritium Recovery & Removal System.

The **KATRIN** Tritium Loop System comprises (sub)loop systems, including:

Circulation Loop. The components of the Circulation Loop are placed in the **Isotope Separation System (ISS)** glove box (called Inner Loop@ISS) and in the **WGTS** glove boxes (called Inner Loop@WGTS), see figure 5. The Circulation Loop (mainly orange part in figure 12) provides stabilized tritium gas injection into the **WGTS** and the recovery of the majority of the injected gas. It also keeps the tritium purity above 95 % via constant purification of the circulating gas by means of a permeator (= removal of non-hydrogen-isotopologues) and by replacing a small fraction of the polluted tritium gas by pure T₂. The stabilization of tritium gas injection is maintained using a temperature- and pressure-stabilized buffer vessel, which is connected to the **WGTS** beam tube via a capillary. The capillary (2.1 mm inner diameter, 5 m length) is thermally coupled directly to the beam tube. Therefore, its temperature and conductance are defined by the beam tube temperature.

The sub-system Inner Loop@WGTS collects tritium at both ends of the **WGTS** beam tube (at DPS1-F/R, see section 3.2) and sends it back into the Inner Loop@ISS. This part of the Tritium Loop System mainly consists of 14 **TMPs** of type Leybold Turbovac MAG W 2800 in the first stage and four **TMPs** of type Pfeiffer HiPace300 in the second stage (figure 5). The combination of Circulation Loop and the **WGTS** beam tube forms the **IL** of the **KATRIN** experiment.

Feed Loop. The Feed Loop (blue part in figure 12) supplies the Circulation Loop with pure tritium gas from the **ISS**. Its 25-l buffer vessel, filled batch-wise 1-2 times a week, provides an intermediate storage of pure tritium from the **ISS**.

Exhaust Loop. The Exhaust Loop (green part in figure 12) collects gas that has to be removed from the Circulation Loop and transfers it to the **TLK** infrastructure for purification and isotope separation. This gas consists of tritium, deuterium, and protium,¹⁴ as well as impurities, including tritiated methane, helium, nitrogen, and carbon monoxide. The exhaust gas originates either from the Circulation Loop (separated by the permeator) or the pumping sections at the **DPS**, the **CPS** and the Rear System. The Exhaust Loop comprises a 25-l buffer vessel for intermediate storage of the exhaust gas. The exhaust gas is sent batch-wise to the **TLK** infrastructure (**OL**) 2-3 times a week.

¹³A permeator is a palladium-silver membrane filter, which is only permeable to hydrogen isotopes.

¹⁴Protium is the hydrogen isotope with one proton and one electron.

Outer Loop@DPS. The Outer Loop@DPS collects tritium gas from the second differential pumping section (DPS2-F, see section 4.1) and transfers it to the Exhaust Loop. This part contains four **TMPs** in the first stage and 2 **TMPs** in the second stage (figure 5).

Outer Loop@CPS. The Outer Loop@CPS connects the argon frost pump of the **CPS** to the Central Tritium Retention System of **TLK**. In addition, it includes the system for argon frost preparation and helium purging (section 4.2).

Outer Loop@Rear System. This system collects tritium gas that is not removed by DPS1-R, and transfers it to the Exhaust Loop.

The combination of these subsystems with the main infrastructure systems of the **TLK** forms the **OL** (figure 10).

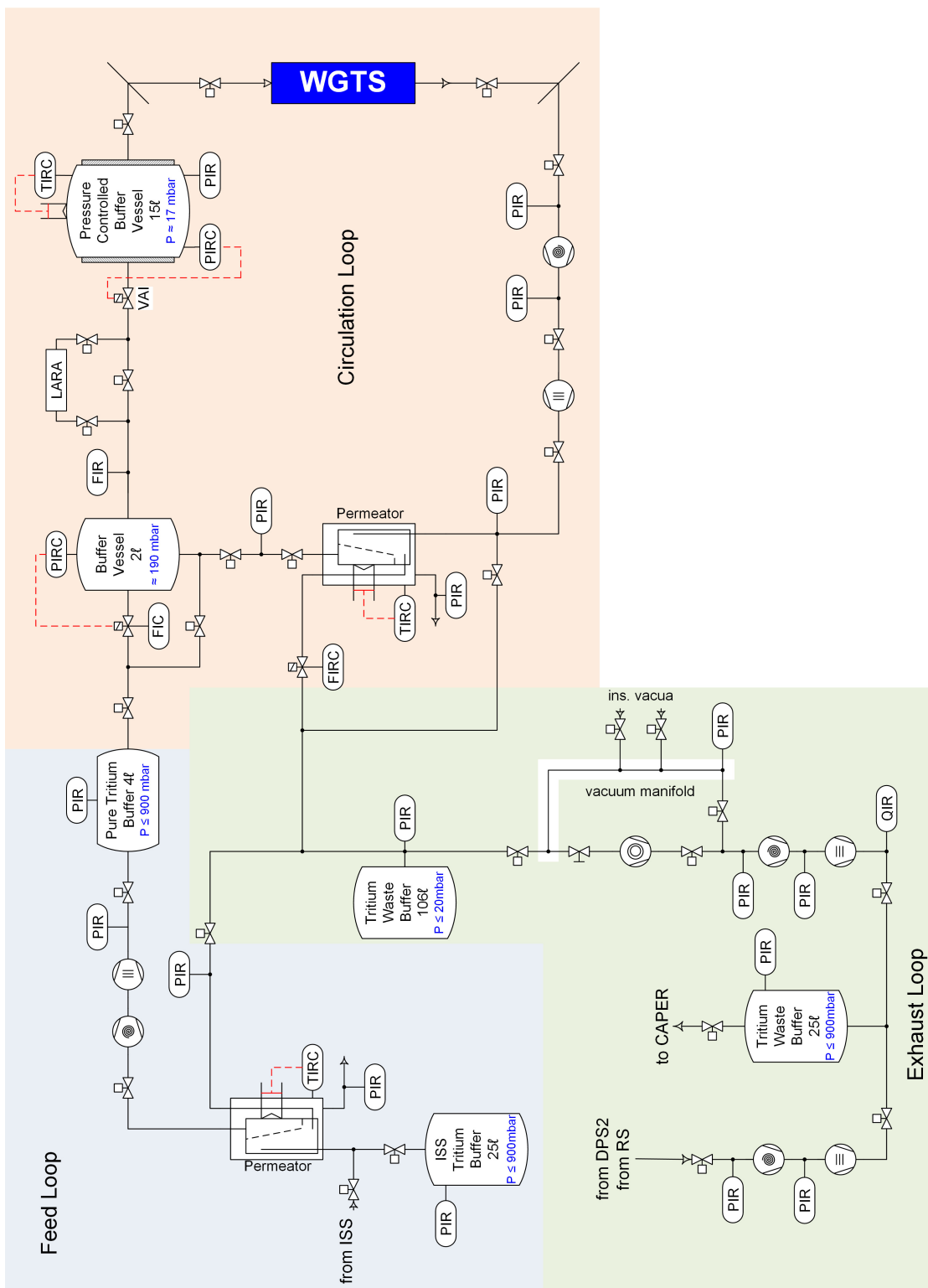


Figure 12. A simplified piping and instrumentation diagram of the main part of the **KATRIN** Tritium Loop System. Displayed here is the Feed Loop (blue background), the Exhaust Loop (green) and the Circulation Loop (orange). The front end **TMP** systems at the **WGTS**, the **DPS** and the Rear System are depicted in a simplified scheme in figure 5.



Figure 13. A View along the beam line. Shown on the right side is a part of the [WGTS](#) magnet cryostat with the glove boxes around the DPS1-F pumps (top and bottom). To the left follows the glovebox system around [DPS](#) and [CPS](#).

To meet the functionality requirements of the complex Loop system distributed over 30 m along the beam line at [WGTS](#), [DPS](#), [CPS](#) and [RS](#) (each with its individual glove box system), a large variety of valves, sensors, actuators, pumps, and analytical systems is necessary. Custom-made pipes connect sensors, valves and other components with all-metal sealing. An integral He-leak rate of $<10^{-9}$ mbar l/s at each flange connection was ascertained to ensure safe operation while tritium is circulating.

The design and setup of all tritium systems were done in compliance with the administrative and technical framework of the [TLK](#), which includes stringent requirements on quality assurance and safety. An introduction to the framework is given in [36]. Figure 13 shows a segment of the [KATRIN](#) beam line with the glovebox systems inside [TLK](#).

3.3.3 Commissioning results

This subsection describes the commissioning results of the [IL](#) system with respect to the stability of gas injection.

Before the [WGTS](#) magnet cryostat was available, a part of the [IL](#) system was commissioned via a bypass tube, mimicking the [WGTS](#) beam tube [37]. The gas processing performance of the [TLK](#) infrastructure was tested with comparable tritium throughputs as needed for [KATRIN](#) operation [35].

During the inactive commissioning of the whole Loop system, deuterium was circulated through the [WGTS](#), [DPS](#), and [CPS](#) in the same manner as tritium would be during neutrino-mass measurements. With deuterium at the [WGTS](#) beam tube temperature of 30 K and a throughput

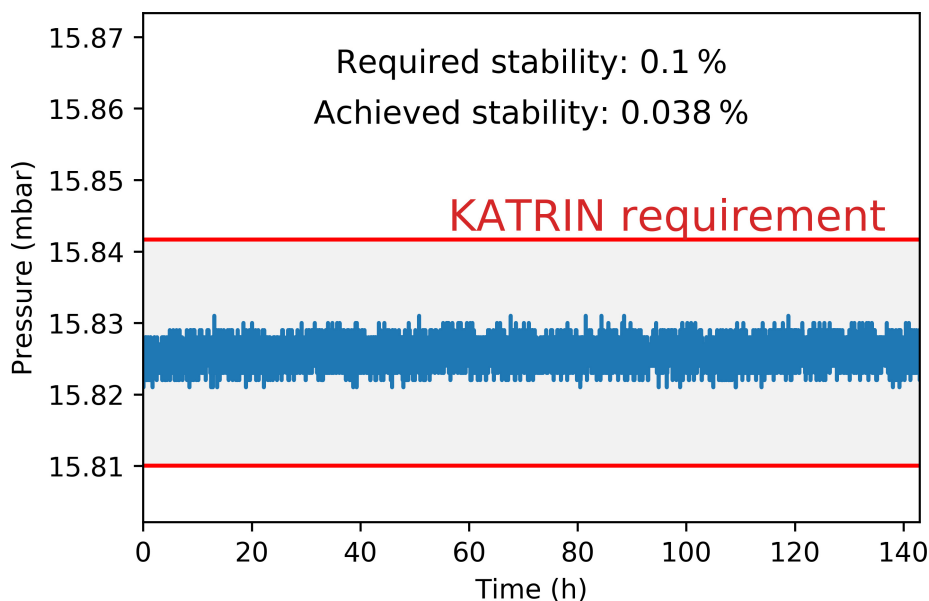


Figure 14. Achieved pressure stability. Shown is the pressure in the buffer vessel responsible for stabilizing the injection pressure (blue) together with the 0.1 % stability requirement (red). The relation between buffer vessel pressure and injection gas flow rate is discussed further down in the text.

of 26 g/d, a stability of the injection pressure of 0.038 % could be reached, far exceeding the requirement of 0.1 %, as can be seen in figure 14.

The pressure fluctuations shown in figure 14 were found to be caused by a too-coarse digitization of the pressure transducer signal, used in the regulation system. During stable operation, the signal only flips between two digitization steps, causing the regulation system to lag slightly behind the real pressure change. This has imprinted a periodic fluctuation in the signal. This proved to be an issue, especially for set points at low pressure. The control circuit was subsequently improved by adding a dedicated high-resolution analog-to-digital converter. The final pressure stability improvement is demonstrated in figure 15. A stability of 0.0013 % was achieved at the pressure set point used in nominal measurement conditions. Furthermore, it is possible to stabilize the injection pressure at the level of 0.1 % for pressures as low as 0.2 mbar.

The relation between the buffer vessel pressure and the injection gas flow rate has been characterized in the range from 1 mbar to 19 mbar. The gas flow inside the injection capillary is expected to be predominantly viscous. In this flow regime, the flow $q = C(p) \cdot p$ depends approximately quadratically on the buffer vessel pressure, as the conductance $C(p)$ is approximately linear in pressure p . The observed relation in figure 16 agrees well with this expectation.

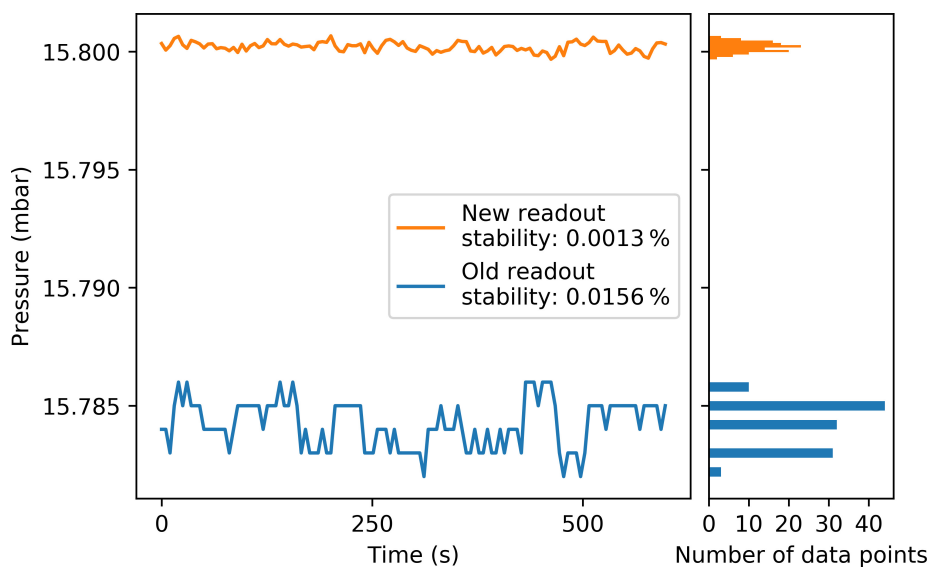


Figure 15. The improvement in pressure transducer readout by deploying a high-resolution analog-to-digital converter in the control circuits. Shown here is a comparison between the old and the new readout stability for the pressure in the buffer vessel responsible for stabilizing the injection pressure.

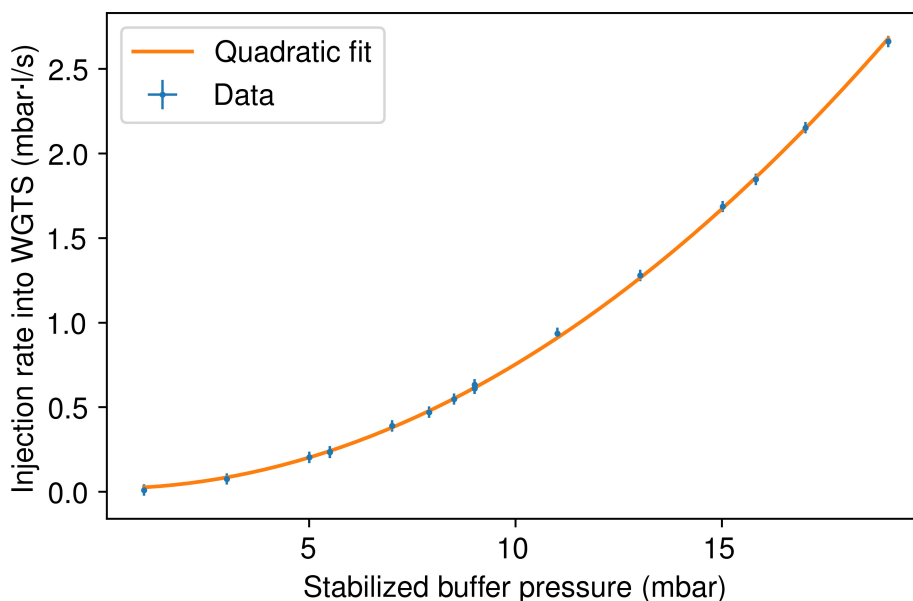


Figure 16. Characterization of the injection flow rate dependence on the buffer vessel pressure. Tritium gas is injected from the stabilized buffer vessel over the injection capillary into the middle of the WGTS. The injection rate through the capillary is proportional to its conductance and the pressure drop over its length. The pressure at the entrance of the capillary is in the mbar region, and is less than 10^{-2} mbar at its exit. The conductance in viscous flow is proportional to the mean pressure. With a negligible pressure at the outlet of the capillary, a quadratic dependence of the injection flow rate on the pressure of the stabilized buffer is found.

3.4 WGTS rear wall

3.4.1 Potential definition

The starting potential of the β -electron is provided by the cold and strongly magnetized plasma in the **WGTS**. In order to accurately measure the β -electron energy, a homogeneous starting potential distribution needs to be established over the whole magnetic flux tube volume in the **WGTS**. Spatial inhomogeneities eventually occur due to the formation of local space charges in the plasma.

The **Rear Wall (RW)** is an important tool for determining and manipulating the plasma potential distribution. It is a gold-coated stainless steel disk with an outer diameter of 145 mm in the rear system. The magnetic field along the **WGTS** confines β -electron as well as low energy ions and electrons from the plasma on the magnetic field lines which terminate on the **RW** surface. Therefore, a good conductance between the **RW** and the plasma is assumed. The surface potential is defined by the sum of the gold work function and the bias voltage of up to ± 500 V which can be applied.

A picoammeter is connected to the **RW** to measure the current flowing through the disk towards ground. The **RW** can be baked out at temperatures of about 120 °C. In the center of the disk, a 5 mm hole allows for the transmission of the **e-gun** beam (section 7.7.1). The 134 T cm^2 flux tube is completely mapped onto the **RW** such that β -electrons, secondary electrons and ions produced within the **WGTS** hit its surface where they are absorbed and neutralized.

Dedicated simulations show that both the **RW** and the **WGTS** beam tube surface potential establish the major boundary conditions for the plasma potential distribution within the source system [31]. These simulations indicate that there is a **RW** bias voltage at which the work function differences between the beam tube and **RW** are compensated, and the spatial inhomogeneity of the plasma potential is minimized. This optimal point can be determined experimentally by measuring the β -rate at various **RW** bias voltages. The optimal bias voltage produces a radially homogeneous endpoint E_0 distribution. This procedure can also be performed by measuring the radial variation in line position of the L_3 line of meta-stable $^{83\text{m}}\text{Kr}$ in the presence of tritium gas. In this configuration, the radial variations of the plasma potential are minimized, providing optimum starting conditions for the β -electrons.

3.4.2 Rear wall setup

Figure 17 shows the cross section of the **RW** unit. The **RW** is mounted on ceramic rods for electrical isolation. The **RW** surface itself is gold; it has a homogeneous and constant work function to guarantee a constant surface potential. Tests of gold surfaces in air and in vacuum showed a work function of about 4.2 eV, which is almost 1-eV off from the ideal work function value. This can be attributed to surface impurities, and is still acceptable for the **KATRIN** experiment. The average work function spread across the surface is around 20 meV.¹⁵ The **RW** can be mounted and exchanged manually. For this purpose, the vacuum chamber in front of the **RW** has a 200 mm-diameter flange. Another flange (not shown here), which faces the **RW** at an incident angle of 55°, carries a UHV-proof, 137 mm-diameter quartz window. It allows the illumination of the **RW** with light in the far UV (down to 200 nm) in order to feed the T_2 plasma with additional photoelectrons. This measure enhances the conductivity and maintains the quasi-neutrality of the plasma. Due to the very compact construction of the **RW** chamber, it was milled out of a solid stainless steel block.

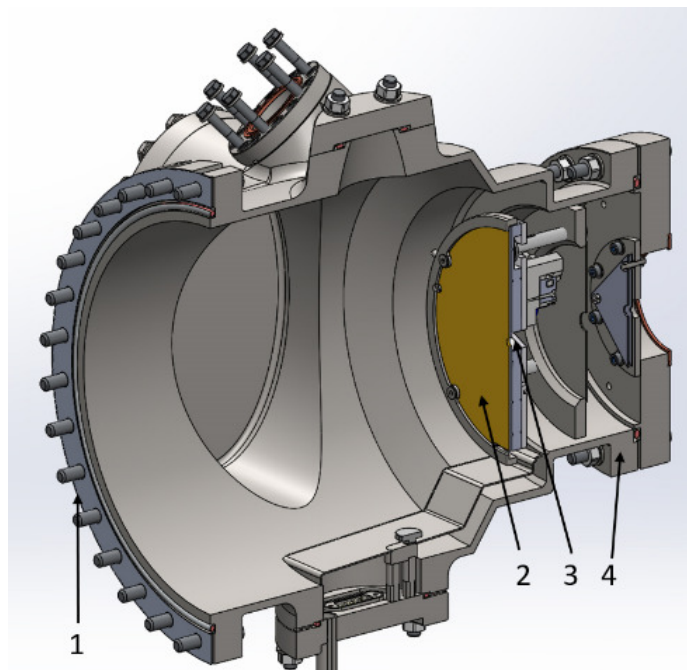


Figure 17. Cross section of the entire integrated RW unit. (1) and (4) Flanges of the RW chamber to the WGTS magnet cryostat and Rear System, respectively. (2) The RW itself. (3) The central hole for e-gun beam transmission.

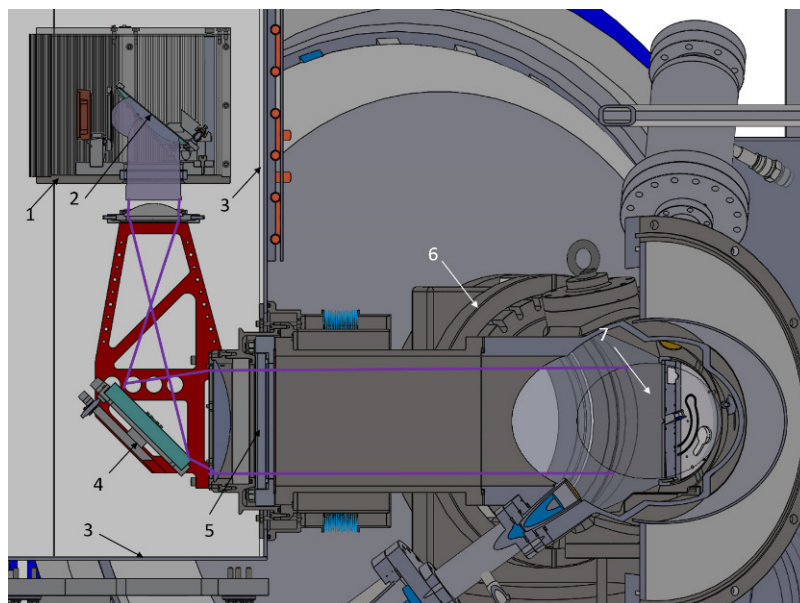


Figure 18. Setup for UV-illumination of the RW. (1) Steel box housing the Cermax[®] lamp. (2) Beam splitting mirror. (3) Recess of second containment, giving direct access to Cermax[®] lamp and optics. (4) Adjustable mirror. (5) UHV-proof quartz window. (6) Flange and valve at WGTS entrance. (7) The RW itself. See text for the working principles of this UV-illumination setup.

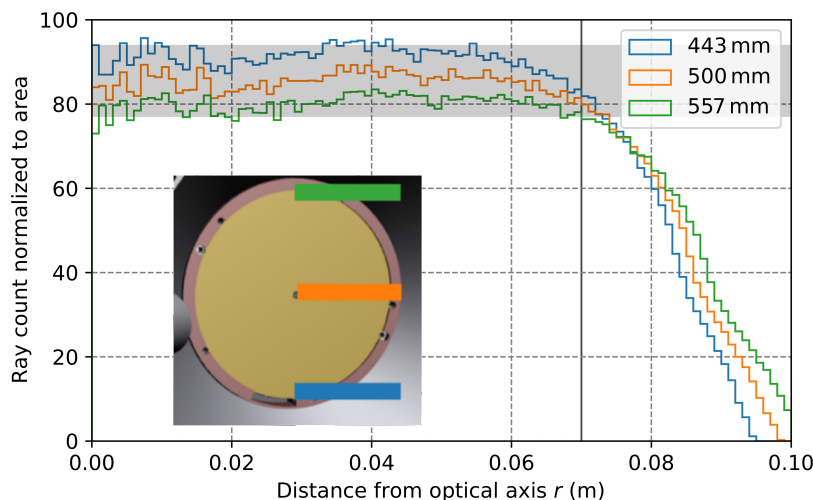


Figure 19. Simulation of the light distribution on the RW. The intensities were sampled along three lines: closest at 443 mm (blue), center at 500 mm (orange) and furthest at 557 mm (green). The vertical, solid gray line shows the maximal radius $R = 7$ cm of the RW, while the shaded area indicates the homogeneity requirement of $\pm 10\%$ centered around the mean of the data up to R . Since the RW is at an angle with respect to the optical axes, a small gradient from the near end to the far end cannot be avoided.

3.4.3 Rear wall illumination

Figure 18 shows the optical setup for the UV-illumination of the RW. It had to fit inside the narrow channel between the superconducting magnet of the Rear System and the entrance of the WGTS magnet cryostat. The steel box in the upper right houses a short-arc Cermax[®] xenon lamp¹⁶ and shields any disturbing stray magnetic field of the order of mT. The lamp yields a UV power of ≈ 0.3 W in the wavelength range of $\lambda = 200$ nm to 266 nm for producing photoelectrons from the RW. Watercooling removes 1 kW of excess heat from the lamp. One of the two beam-splitting mirrors reflects only the UV part of the spectrum. Two lenses, positioned with a focal point between them, enlarge the approximately parallel beam from the lamp to the size of the RW. A mirror adjusts the beam direction. A shallow recess in the second containment gives access to the lamp and the optical components for replacement and adjustment.

It is not trivial to achieve homogeneous illumination of the RW. The arc of the Cermax[®] lamp is placed in the focus of a parabolic mirror. In the far field, the radial intensity profile of the beam decreases towards the rim and is similar to a Gaussian. Its transformation to a homogeneous profile is enabled by projecting the sharp intermediate focus of the arc image between the two lenses. The requisite condition is that the angular emittance at any point of this image reaches the solid angle of the full light cone. The final configuration was optimized by simulations with the optics program COMSOL.¹⁷ The results shown in figure 19 yield the specified homogeneity of $\pm 10\%$ (gray horizontal band) over the entire RW up to its maximal radius of 7 cm (marked with a solid line).

¹⁵While mono-crystalline gold would be a more ideal surface, it is infeasible to grow a surface of the size required.

¹⁶Type Cermax PE1000DUV (lifetime 1000 h), Perkin Elmer, <https://www.perkinelmer.com>.

¹⁷COMSOL Multiphysics including Ray Optics package, <https://www.comsol.com>.

4 Transport system

The Transport System adiabatically transports β -electrons from the source to the Spectrometer System and in parallel reduces the tritium flow rate into the spectrometer system by more than 12 orders of magnitude. It consists of the Differential Pumping System and the Cryogenic Pumping System. Both systems are described in the following two subsections.

4.1 Differential pumping system

The Differential Pumping System (DPS) is located between the WGTS (section 3) and the Cryogenic Pumping System CPS (section 4.2), as can be seen in figure 5. It is the second differential pumping stage (historically called DPS2-F, since it comes after DPS1-F) to reduce the tritium flow rate in the beam tube in the downstream direction to the spectrometers. The first differential pumping stage is part of the WGTS magnet-cryostat, which includes pump ports (section 3.2) and the tritium loops system (section 3.3.2).

The DPS was the first complex magnet cryostat delivered and commissioned in the KATRIN experiment [1, 39]. After a quench during the commissioning in 2011, one of the safety diodes at the superconducting magnet coils was damaged. Safety diode replacement was considered cost- and time-prohibitive, since the diodes were installed deep inside the magnet cryostat. Instead, a new, simplified design of the DPS was proposed (figure 20) based on 5 custom-designed single superconducting magnet cryostat systems (section 4.1.2), a beam tube at room temperature (section 4.1.4), and an additional pump port, called PPO (figure 21). This new design also featured an access port in the cryostat, which allowed the cold bypass safety diodes to be more easily replaced, should they be damaged.

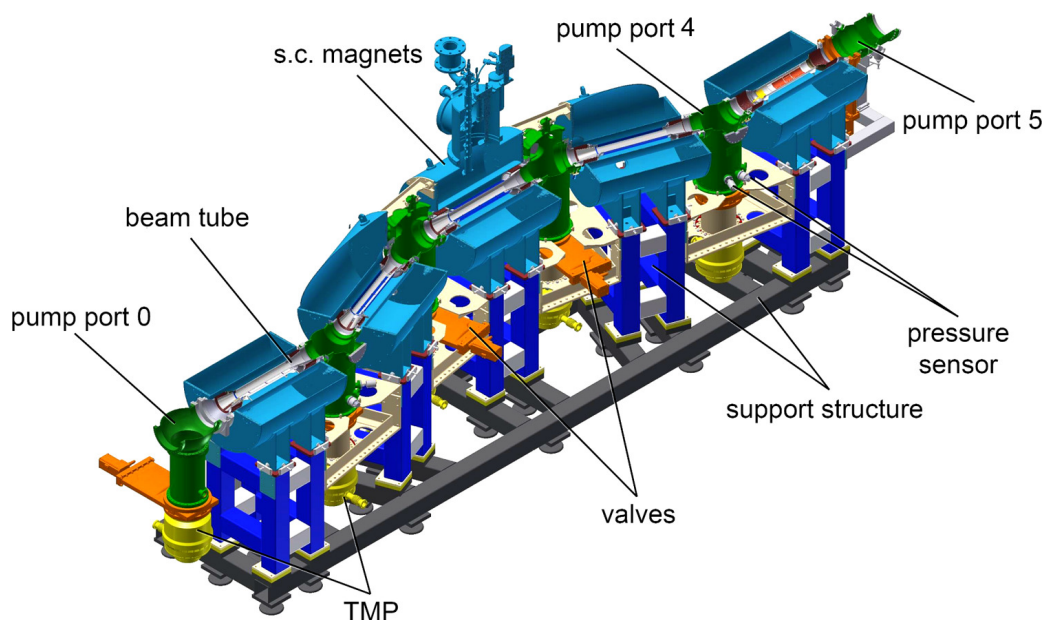


Figure 20. CAD drawing of the DPS. Five super-conducting (s.c.) magnets (light blue) surround the beam tube at room temperature. The gas is pumped by TMPs connected to the pump ports P0 to P5 (green). The figure is adapted from [38].

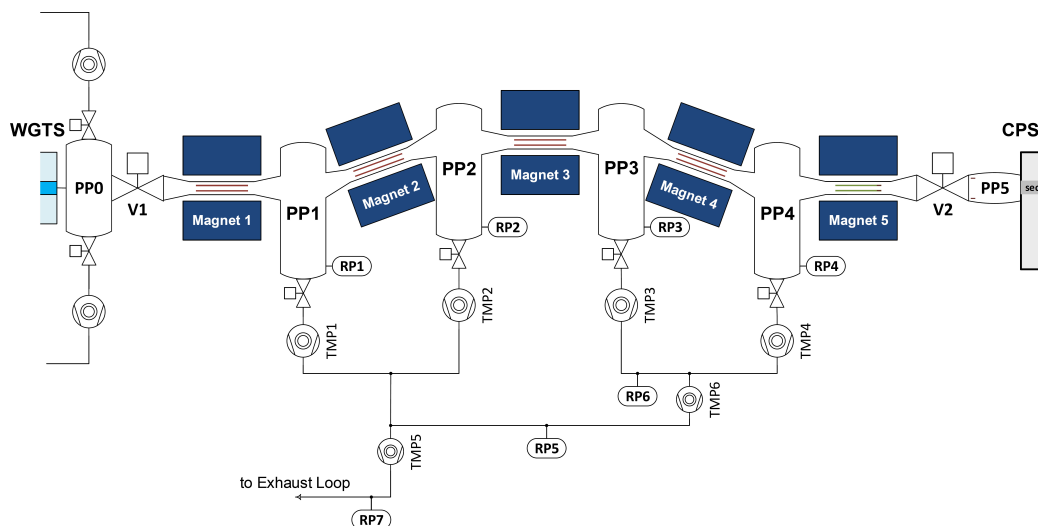


Figure 21. Schematic of the second differential pumping stage. The pumping system is part of the tritium loops@DPS (section 3.3.2). V: gate valve, PP: pump port, TMP: turbomolecular pump, RP: pressure gauge. This simplified schematic does not show all pressure gauges. More information about the pumping system is given in section 4.1.4.

4.1.1 DPS principle and basic requirements

The basic requirements for the DPS are:

- To guide the β -electrons adiabatically from the WGTS magnet cryostat to the CPS magnet cryostat.
- To reduce the neutral tritium flow rate (about 1 mbarl/s) in the direction of the CPS by at least seven orders of magnitude [1]. This is done in combination with the first differential pumping stage DPS1-F, as shown in figure 5 and figure 6.
- To block and remove magnetically guided tritium ions from the source.

The adiabatic guidance of the β -electrons is done with a magnet system consisting of 5 single superconducting magnets (section 4.1.2). While the reduction of the neutral tritium flow rate is achieved by the method of differential pumping (section 4.1.4), the reduction of the ions is not possible with that method. This is because ions follow magnetic field lines and cannot be pumped out through pump ports which are positioned outside of the field lines. To overcome this issue and to avoid spectrometer contamination by magnetically-guided tritium ions from the source, a dedicated ring and dipole electrode system was developed and installed inside of the DPS beam tube. A detailed discussion of ion blocking and removal is given in section 7.4.

Figure 21 shows a simplified vacuum flow diagram of the DPS system. Along the beam line, it consists of a sequence of beam tube elements and pump ports to which TMPs are connected. Differential pumping [40] is achieved by the conductance difference of the beam tube elements with respect to the effective pumping speed of the pump ports, which is about ten times higher. The beam tube elements are configured as a chicane: they are tilted by 20° to each other in horizontal

plane. This geometry prevents the beaming effect by eliminating a direct line-of-sight from the **WGTS** to the spectrometers. This measure enhances the removal of neutral gas.

4.1.2 Magnet system

The company Cryomagnetics, Inc.¹⁸ built six similar magnets for the Source and Transport System, each with a maximum magnetic field of 5 T. Five of these magnets are used in the **DPS**, while the sixth is used in the Rear System (figure 2). The magnets are cooled by liquid helium which is continuously recondensed by a cryocooler system [19].

Table 4. Main technical requirements for the magnets of **DPS**.

Subject	Requirement
Magnetic flux density at the center of the beam tubes	>5 T (nominal field)
Magnetic magnetic flux density inside the pump ports within transported magnetic flux	>1 T (at nominal field) ^a
Magnetic field homogeneity at the center of the beam tubes	better than 100 ppm over a length of 100 mm along the axis ^b
Magnetic field decay in persistent current mode	<0.1 %/month
Coaxiality between the solenoid and the warm bore	<1 mm
Neighboring magnetic fields	Magnets must withstand forces due to neighboring magnet systems at full magnetic field
Operation without refilling of liquid helium	9 months

a) The field needs to be at least 1 T to ensure adiabatic transport of decay electrons into the spectrometer.

b) Specific to **Fourier Transform Ion Cyclotron Resonance (FT-ICR)** functionality.

The main technical requirements for the magnets of the **DPS** are summarized in table 4. Each of the **DPS** magnets contains a main solenoid with 2 correction coils at each end. The magnets are enclosed in liquid helium bath cryostats with a recondenser unit cooled by a cold head. The systems can run for at least 9 months without the need of a liquid helium refill. A heater in the liquid helium vessel, which is regulated by pressure measurement in the helium gas phase, keeps the pressure above atmospheric. The magnets are nominally operated in persistent current mode. Magnet coils are protected against damage from overheating in case of a quench by freewheeling cold bypass diodes in the liquid helium vessel. A quench relief valve and a rupture disk are mounted in parallel on each liquid helium vessel to release the helium gas rapidly in the case of a quench. All these safety components, as well as the liquid helium refill nozzle and the hand valve to the insulation vacuum, are placed outside the second containment glovebox of the **DPS** (see section 4.1.3).

For a more detailed description, including the most important technical parameters, refer to [19].

¹⁸Cryomagnetics, Inc., Oak Ridge, TN, U.S.A., <https://www.cryomagnetics.com>.

4.1.3 Beam tube, pump ports and glove box

For historical reasons, the section between the **WGTS** magnet cryostat and the **DPS** system is called the Pump Port Element 0, although it is connected to the **WGTS** beam tube vacuum. The same holds for the Pump Port Element 5 between **DPS** and **CPS**, which is connected to the **CPS** beam tube vacuum (figure 21).

The **DPS** magnets are mounted on a support frame custom made by the KIT main workshop (Technik-Haus). The frame is made of non-magnetic stainless steel. It is designed to support the weights of the magnets and to withstand the magnetic forces between the magnet systems. The positions of the magnets can be adjusted horizontally. The vertical positions can be changed with metal shims, which also allow a moderate tilting of the magnets.

According to the **TLK** regulation of safe tritium handling, all primary systems need to be contained in secondary containments (usually gloveboxes) [15, 36]. For the **DPS**, a custom-made glovebox was designed and built by the company GS.¹⁹ Specific requirements for the **DPS** call for all cryogenic liquids and compressed gases of the magnets, as well as access to their valves and accessories, to be outside the secondary containment. Hence, the treadable slab of the glovebox closes around the magnet domes with rubber liners. The safety outlet of the insulation vacua of the magnets are led out through the second containment via formed bellows and are closed with dropout plates. PP0 and PP5 are housed in the appendices of the **DPS** glovebox, which also provide the closing of the secondary containment to the **WGTS** magnet cryostat and the **CPS** magnet cryostat. The maximum allowed leak rate for each glovebox is 0.1 vol%/h.

4.1.4 Pumping system

Two **TMPs** of type Turbovac MAG W 2800²⁰ are attached to PP0. Four Turbovac MAG W 2800 **TMPs** are connected to PP1-PP4, with one per pump port. The sequential positioning of the **TMPs** leads to differential pumping of the tritium gas along the beam line. In order to reach the desired compression factor, the gas from the outlet of the **TMPs** at PP3 and PP4 is compressed via a HiPace300 **TMP**.²¹ Then the gas is piped, together with the outlet of the **TMPs** from PP1 and PP2, to a second HiPace300 **TMP**, which pumps the gas to the Exhaust Loop of the Tritium Loop System (see section 3.3.2 and figure 21). The pressure inside the **DPS** beam tube is monitored with both a Capacitance Diaphragm Vacuum Gauge (Baratron[®])²² and a cold cathode gauge at each of PP1 and PP2. PP3 and PP4 are each equipped with a cold cathode and an extractor gauge, and, in case of PP4, with a quadrupole mass spectrometer. A Baratron[®] pressure gauge measures the pressure at the outlet of the PP3 and PP4 **TMPs** (RP6 in figure 21). Another Baratron[®] pressure gauge is placed between the first HiPace 300 **TMP** and the second HiPace 300 **TMP** (RP5 in figure 21). The **TMPs** and the cold cathode vacuum gauges are shielded with soft iron against the stray field of the **DPS** magnets. Additionally, a new fixture was developed for the Leybold MAG W2800 **TMPs**, which holds the torque momentum in case of a rotor crash [41]. Because all components used in the tritium-containing primary system of the **DPS** need to be fully tritium compatible, they must all be metal-sealed to the outside and cannot contain any halogenic materials. While the **TMPs** are not

¹⁹GS GLOVEBOX Systemtechnik GmbH, Germany, <https://http://www.glovebox-systemtechnik.de>.

²⁰Leybold GmbH, Germany, <https://www.leybold.com>.

²¹Pfeiffer Vacuum GmbH, Germany, <https://www.pfeiffer-vacuum.com>.

²²MKS Instruments, U.S.A. <https://www.mksinst.com>.

technically fully tritium compatible, the **TLK** made an exception based on the results of a study on the usability of MAG W2800 **TMPs** for tritium pumping [42].

Similar to the **beam tube element (BTE)** and the **pump port element (PPE)**, the pumping system is classified as a primary system according to the Technical Conditions of Delivery and Acceptance of **TLK** [15, 36]. Therefore, the maximum allowed helium leak rate is 1×10^{-9} mbar l/s for a single flange connection and 1×10^{-8} mbar l/s for the total **DPS** beam tube system.

4.1.5 Commissioning results

Magnet tests. The five **DPS** magnets (and the **RS** magnet) met most requirements in tests performed at the company prior to delivery to KIT. These included magnetic force tests in triplet arrangement with forced quenches to simulate the extreme conditions in the final setup. Three out of six magnets met the stringent requirements of field homogeneity at the center of the solenoid necessary to house the **FT-ICR** in the magnet bore. One of these magnets was then placed on position five (between PP4 and V2, figure 21) for the **FT-ICR** (section 7.4.2). In 2016, the **RS** magnet showed an excessive field drift caused by wire damage. It was successfully repaired later at the manufacturer site in U.S.A.. For further details, see [19].

Influence of magnetic field on the beam tube pressure sensors. Due to the shielding of the relevant pressure gauges with soft iron material, the influence of the magnetic field on the pressure measurement inside the **DPS** beam tube is $\leq 10\%$, which is negligible for the **KATRIN** experimental operation.

Vacuum tests. After the commissioning of the **DPS** beam tube and the **OL** at the **DPS** (but prior to start of the circulation tests with deuterium), a final pressure of about 10^{-9} mbar was reached in the **DPS** beam tube. This subsystem cannot be baked, so this is the best value. Helium leak tests of the **DPS** beam tube showed that leak rate of the flanges exceeded the limit of 1×10^{-9} mbar l/s for tritium containing systems at **TLK**. All three flanges were QDS[®] connections with HELICOFLEX[®] seals in the beam tube:

- Connection between **BTE1** and PP1: 3×10^{-8} mbar l/s,
- Connection between **BTE1** and PP2: 3×10^{-8} mbar l/s,
- Connection between **BTE2** and PP2: 1.5×10^{-8} mbar l/s.

The **TLK** formally accepted these leak rates since the tritium pressure in this part of the **KATRIN** setup is always below 1 mbar. The effective tritium leak rate into the second containment is therefore at least three orders of magnitude smaller than the measured helium leak rate.

Tritium reduction factor measurements. During the **FirstTritium** measurement in Spring 2018 [43], the tritium reduction factor of the **WGTS** (in the **DPS1-F** section) and the combined tritium reduction factor of the **WGTS** and **DPS** (in the combined **DPS1-F** and **DPS2-F** sections) were measured. From these measurements, the tritium reduction factor of the **DPS** was derived. The gas composition used for these measurements was 1% DT in D₂, corresponding to 0.5% of the nominal source activity [43].

In the **WGTS** tritium reduction factor measurement, the gas was circulated through the **IL** and the **DPS**. The valve V2 (figure 21) to the **CPS** was closed and the Outer Loop@DPS (section 3.3.2) was not connected to the Exhaust Loop. A comparison of the injection rate into the **WGTS** beam tube with the pressure rise in the Outer Loop@DPS (sensor RP7, figure 21) gave a **WGTS** reduction factor of 3.5×10^3 with a 5% uncertainty. In the determination of the combined reduction factor of the **WGTS** and **DPS**, the integral tritium flow into the **DPS** during **FirstTritium** was calculated. Based on flow sensor readings and **Laser Raman Spectroscopy (LARA)** measurements, this was about 3×10^{14} Bq. After the end of the **FirstTritium** measurement, the tritium accumulated on the Ar frost inside the **CPS** (section 4.2) was purged into a buffer vessel. The activity was determined with a liquid scintillation counter to be 2.1×10^7 Bq.

The combined DT reduction factor for the **WGTS** and **DPS** is thus about 1.4×10^7 with an uncertainty of 10%, while the reduction factor for the **DPS** alone is about 4×10^3 . For a gas composition of almost pure tritium (98%, similar to regular neutrino-mass mode operation), an even higher reduction factor is achieved as the average molecular mass of T_2 is higher than those of DT and D_2 . Repeating the discussed methodology but using data of the first two neutrino mass measurement campaigns, the combined reduction factor for pure (98%) tritium was determined to be $(9.6 \pm 1.0) \times 10^7$ at nominal column density [44].

Thus, the performance of the combined differential pumping stages of the **WGTS** and **DPS** does surpass the required value for tritium flow rate reduction into direction of **CPS**, and therefore enables an enlarged time interval for the necessary **CPS** regeneration (section 4.2.3).

4.2 Cryogenic pumping system

4.2.1 CPS principle and basic requirements

The **CPS** is the last part of the transport section. It guides β -electrons adiabatically towards the spectrometer section, while reducing the tritium flow rate by at least seven orders of magnitude to achieve the required overall tritium flow rate reduction factor of at least 1×10^{14} . Upon exiting the downstream end of the **CPS**, a tritium flow rate of not more than 1×10^{-14} mbar l/s is allowed into the **Pre-Spectrometer (PS)**.

Following the tritium flow rate reduction by seven orders of magnitude in the previous stage, additional **TMPs** are no longer sufficient to achieve the required additional factor of 10^7 due to back-diffusion in the pumps. Since the integral amount of tritium leaving the **DPS** during one 60-day measurement campaign is about 0.5 cm^3 , a sorption pump integrated into the beam tube was chosen as the workhorse in the next pumping stage.

The main requirements for such a pump are a high pumping speed for tritium per surface unit (specific pumping speed), long-term tritium retention at operating conditions, and an easy and complete removal of the tritium from the beam tube surface at stand-by conditions (regeneration phase).

The pump of choice given these requirements is a cryo-sorption pump with a condensed argon layer, prepared on the surface of the gold-plated inner beam tube wall. The main advantage of condensed gas layers on a gold surface compared to solid adsorbents is that one can easily remove the layer together with any adsorbed tritium, minimizing the residual tritium contamination.

An overview of the whole **CPS** magnet cryostat system is given in the next section. The argon cryopump is described in detail in section 4.2.3.

4.2.2 Magnet-cryostat setup

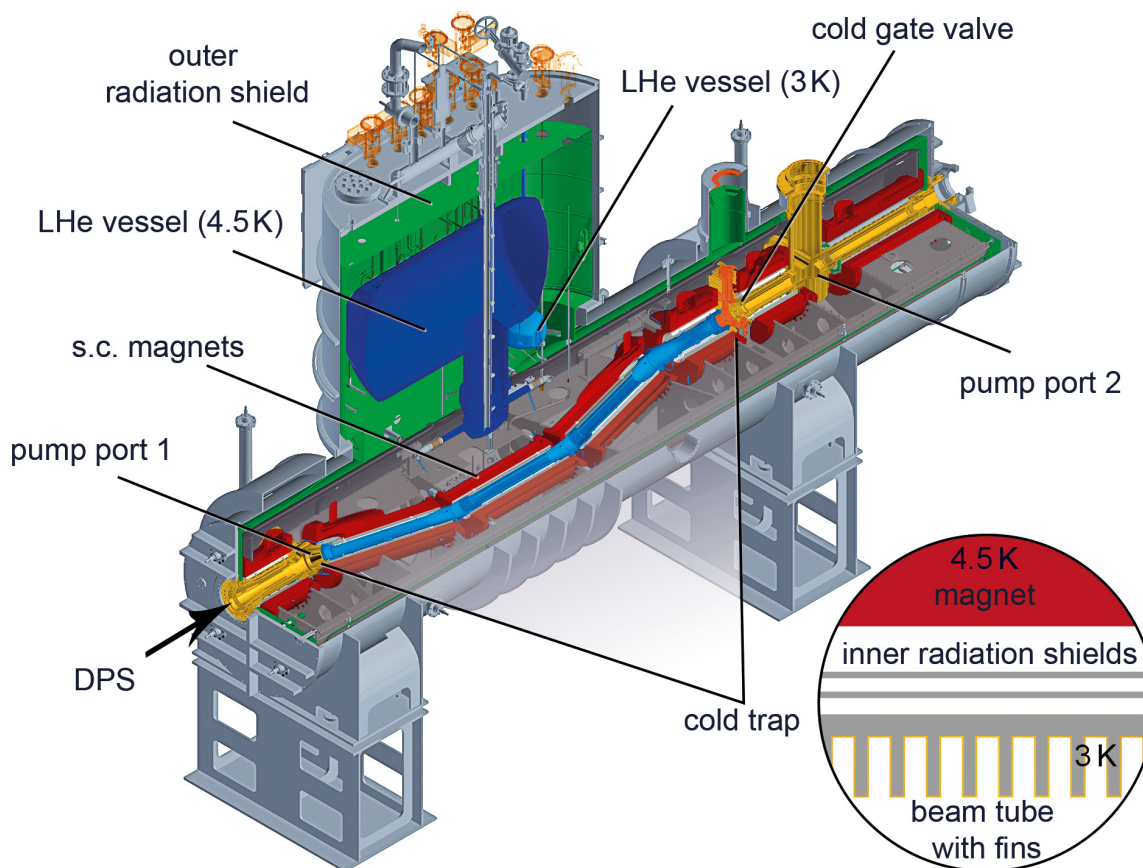


Figure 22. CAD drawing of the **CPS** — 7 superconducting magnets (red) surround the gold-plated beam tube. For the cooling of the magnets and beam tube, a 1300 l liquid helium vessel supplies a reservoir of 4.5 K helium. The cold trap (blue) is highlighted between pump port 1 and the cold gate valve. A detailed description of the other labeled components is given in the text. The figure is adapted from [38].

The **CPS** was built by ASG Superconductors²³ and has a mass of about 12 t. The magnet cryostat is manufactured in one 7-m-long and 4-m-high system [45], housing 7 chambers of superconducting solenoids on one cold support structure, liquid helium reservoirs, 7 beam tubes, thermal shields, and 2 pump ports (figure 22). Pump port 2 contains a horizontal port, where the **Forward Beam Monitor (FBM)** can be inserted (section 7.3.2), as well as a vertical one for the **Condensed ^{83m}Kr Source (CKrS)** (section 7.7.2). The chicane in sections 2-4 is tilted by 15° (figure 22) relative to the **MS** axis, thereby increasing the probability of neutral gases hitting the wall.

Each of the 7 beam tube sections are surrounded by a superconducting solenoid. Three magnet modules are assembled with short separation distance from each other because of the 15-degree chicane. A total of 14 tie-rods are holding about 5 tonnes of the cold mass.

The superconducting coils of the **CPS** are cooled in a liquid helium bath at 4.5 K and 1.3 bar provided in a 1300 l helium reservoir. The cryostat, including the magnet chambers and the helium reservoir, has a volume of about 1600 l for the total liquid helium inventory. The cryostat is equipped

²³ASG Superconductors S.p.A., Italy, <https://www.asgsuperconductors.com>.

with a safety valve rated at 2 bar overpressure and a burst disk rated at 3 bar overpressure for the 4.5 K helium cooling system according to the European pressure device standard.

The solenoid modules are electrically connected in one current circuit and are operated in driven mode with a power supply. A stable power supply from Bruker GmbH provides a current stability of better than 100 ppm per 8 h in order to meet the required magnetic field stability better than 0.1 %/month. The magnetic field stability of the magnets is monitored by a closed-loop flux gate sensor of the power supply. The CPS magnets were commissioned with a magnet safety system consisting of a network of 15 active quench detection systems [46]. More details about the magnet system, including the magnet safety system, are described in [19].

The main part of the beam tube, consisting of sections 2–5, is a cold trap cooled to 3 K which functions as the above-mentioned sorption pump. For this purpose, a 3-K beam tube cooling system with two separate cooling circuits is installed. In the primary cooling circuit of the cooling system, liquid helium is filled from the 4.5-K reservoir into the 3-K vessel, which is connected to an external pumping station through a 15 m-long cryogenic pumping line. The cold helium in the small 13-l vessel is pumped to a saturation pressure of 0.3 bar in order to establish 3 K inside. Before reaching the external pumping station, the cold helium is warmed up to room temperature through the long pumping line and 3-stage heat exchangers. In the secondary cooling circuit of the 3 K beam tube cooling system, helium between 2.5 bar and 4.5 bar with a rate of about 0.5 g/s from the refrigerator flows through a heat exchanger loop that is assembled in the 3-K vessel and through the cooling tubes brazed on beam tube sections 2–5, and finally to the 4.5 K reservoir. The other beam tube sections are connected to a liquid nitrogen cooling circuit.

In order to minimize thermal heat load, a radiation shield cooled by nitrogen (green in figure 22) surrounds the beam tube and magnets. Between the magnetic coils and the beam tube, there is a second radiation shield (light brown in figure 22) cooled down with helium, which allows for beam tube heating up to 80 K for the regeneration of the cold trap. The regeneration process can in principle be done during magnetic field operation. Nevertheless, for safety reasons the regeneration is done with discharged magnets.

Downstream from the cold trap, a gate valve (V3) operated at a temperature below 10 K (cold gate valve, figure 22 and figure 23) can be closed within a few seconds in case of a cryogenic failure in order to prevent unintended release of the adsorbed tritium towards the spectrometers.

4.2.3 Argon cryo pump

The argon pump has the three operation modes [45]: preparation mode, standard operation mode, and regeneration mode. Each of these modes are operated at different temperatures.

Preparation of argon pump. During the preparation of the argon frost layer, the beam tube sections 2-5 are stabilized to 6 K, providing optimal conditions for porosity and therefore large adsorption ability of the argon frost layer [47]. To increase the surface of the cryopump and therefore the pumping capacity by a factor of three, 90 2-mm-long fins are mounted on the inner beam tube surface of the beam tube elements 2-4 [45]. The argon is injected via 9 capillaries, 3 for each beam tube section 2-4. In order to avoid freezing of the argon inside the capillaries the capillaries are heated up to 75K. An argon inlet system controls the flow rate into the CPS (figure 23). Its main parts are a 4-l argon buffer vessel and a manifold, which is

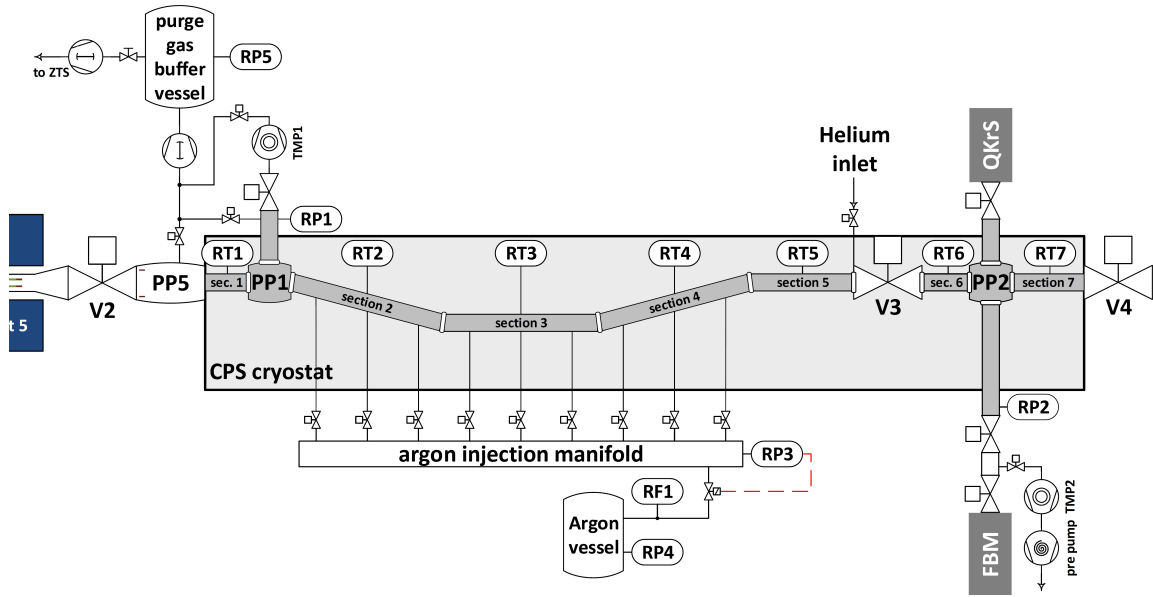


Figure 23. Schematic of the argon pump flow diagram. Shown are the main parts needed for argon pump preparation and regeneration. RT stands for temperature sensor, RP for pressure sensor.

pressure stabilized and distributes argon into the 9 capillaries. The pressure stabilization is realized by a control valve, which is regulated by the pressure in the manifold. Combining the readout of the buffer vessel pressure together with its volume reveals the inserted argon amount pV . The necessary amount of argon for the preparation of the argon frost pump is about 6 bar l. The 4-l argon buffer vessel has therefore to be refilled during pump preparation.

Standard operation of argon pump. With the built geometry, a sticking coefficient $\alpha = 0.7$ can be estimated for tritium molecules hitting the cold trap [38]. Adsorbed tritium molecules can desorb again, either prompted by thermal desorption or induced by β -electrons. Since the second effect can not be prevented, the first one has to be minimized. The mean sojourn time τ_{des} , including only thermal desorption, on the argon frost layer is given by [48]

$$\tau_{\text{des}} = \tau_0 \cdot \exp\left(\frac{E_{\text{des}}}{RT}\right), \quad (4.1)$$

where τ_0 is a material and gas specific time constant [49], E_{des} is the desorption energy for one mole of adsorbed gas, and $R = 8.314 \text{ J mol/K}$ the molar gas constant. Therefore, it is necessary to keep the temperature low in order to increase the desorption time. As E_{des} for tritium on an argon frost layer is not known with sufficient accuracy [50], the temperature of the cold trap was chosen conservatively to be 3 K.

Regeneration of argon pump. The regeneration of the argon pump for the removal of tritium and argon is done by purging with helium gas and warming up the beam tube to 80K. For radiation safety reasons the regeneration needs to be conducted before an accumulated activity of no more than 1 Curie ($=3.7 \times 10^{10} \text{ Bq}$) [1, 38]. Under standard measurement conditions, this limit is reached only after more than one year. Hence, the regeneration of the argon pump is performed at least once a year during regular **KATRIN** maintenance phases. For

the regeneration process the cold gate valve must be closed. While purging helium into BTE5 (figure 23), the cold trap is warmed to 80 K within 2.5 h. At the same time the gas is pumped via DPS-PP5 and CPS-PP1. After bringing back the cold trap temperature to standard conditions, a new argon frost layer can be generated.

4.2.4 Commissioning results with the magnet-cryostat system

The first cooldown of the CPS was performed in May 2016 [51].

Stand-alone time. The CPS magnets can be kept cold at 4.5 K for about 16 h, when the magnet cooling has been interrupted from the refrigerator at a liquid helium level of 65 %.

Reaching the design current. The CPS magnets had a training quench at 194 A (97 % of the maximum design current of 200 A) during the first ramping [46]. After the training quench, there were two additional (unexpected) quenches at 167 A. The following investigations showed that the magnetic field of the neighboring magnet (the first PS magnet, PS1) is necessary to stabilize the CPS magnetic field: Once the neighboring magnet PS1 have been charged to its full current, the CPS magnets could be charged up at least to 90 % of the maximum design current.

Current stability. The instability of the magnet current at the nominal setting (70 % of the design fields) has been checked, as performed for the WGTS in table 3. The relative current fluctuation is within the specification of $\sigma/I_{av} = 4.5 \times 10^{-4}$ % with $I_{av} = 140.040$ A and $\sigma = 6.3 \times 10^{-4}$ A.

4.2.5 Commissioning results with the argon frost pump

Argon frost preparation and purging with helium was successfully done for the first time in December 2017.

In each beam tube section of the cold trap, the temperature is monitored by 3 rhodium-iron sensors with 50 mK accuracy. During the first activation of the 3-K cooling system, the measured temperatures on the beam tube did not reach the expected 3 K, but varied between 3.4 K and 6.2 K [51].

In order to investigate the origin of the temperature discrepancy, the heat transfer module of the commercial simulation program COMSOL Multiphysics^{®24} was used with a finite-element-method simulation. The results of these simulations are discussed in detail in [38]. Except for some warmer spots, such as the bolts connecting the warmer inner radiation shield to the beam tube sections, most of the beam line areas, in particular those with the fins, are in a temperature range between 3–4 K. The simulated temperature profile was used further for the simulations of the reduction factor. The outcomes showed that, despite of the locally higher beam tube temperature, the reduction factor of the CPS exceeds the required factor of 10^7 [38] by at least four orders of magnitude. This positive result is due to the safety margin (the conservative value of 3 K, a third beam tube element with argon frost) which was implemented during the design phase of the CPS.

In order to verify the simulation and to test the performance of the cryo pump, a dedicated inlet system for deuterium was installed temporarily at the DPS-PP5, i.e. at the inlet of the cold

²⁴COMSOL Multiphysics GmbH, Germany, <https://www.comsol.de>.

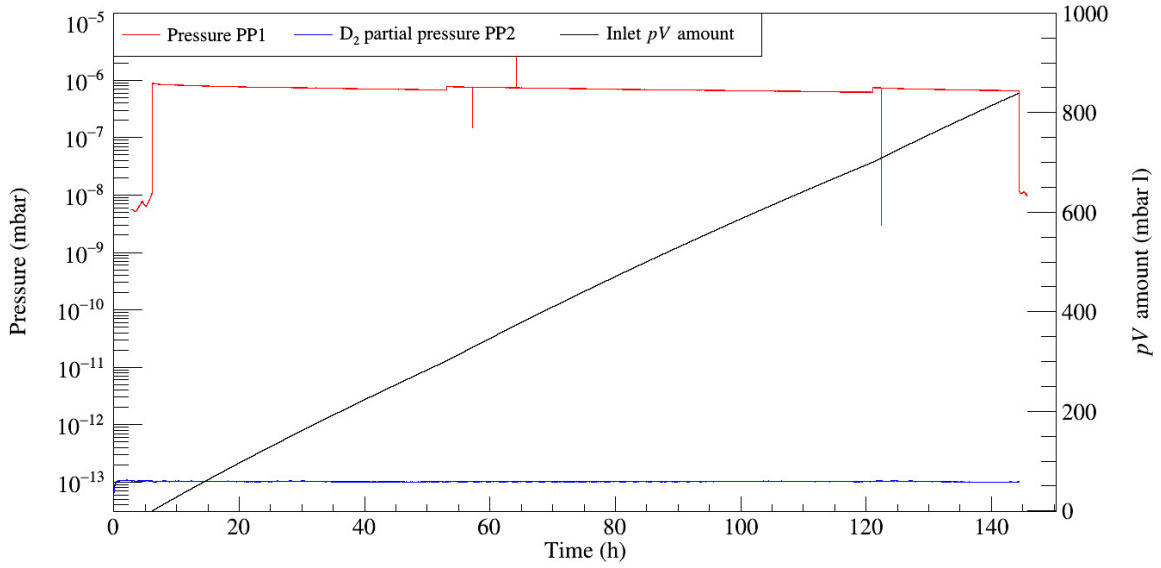


Figure 24. Reduction factor measurement of CPS — the (partial) pressure at PP1 and PP2 are plotted over the measurement time. Additionally on the right y-axis the inserted pV amount of deuterium is shown. The figure is adapted from [53].

trap. Within this setup, it was possible to control and vary the inlet flow into the CPS by three orders of magnitude in the molecular flow range using an orifice behind a leak valve. Combining the measured pressure at CPS PP1 and PP2 with a MolFlow+ simulation²⁵ [52], the reduction factor for deuterium could be deduced [38, 53].

In figure 24, the result of the measurement is shown. After opening the valve at DPS-PP5 (at about 6 h) the pressure at CPS-PP1 increased by about two orders of magnitude, while the partial pressure of deuterium at PP2 was not effected. The two small stepwise rises at about 55 h and 120 h in the red curve correspond to a slight re-adjustment of the leak valve. The three spikes in the PP1 pressure were induced by small fluctuations of the CPS nitrogen cooling influencing the pressure sensor for a short time. After around 145 h the deuterium injection was stopped. During the whole injection time, no increase in the partial pressure at CPS-PP2 was seen. Due to the sensitivity of the residual gas analyzer, only a lower limit of the reduction factor R can be stated. With the exact geometry of the pressure sensors at room temperature taken into account, the experiment established (figure 24) a lower limit of [53]:

$$R \geq 10^8. \quad (4.2)$$

This detailed analysis includes a conservative estimate of the uncertainty for both the readout of the cold cathode at CPS-PP1 and the residual gas analyzer at CPS-PP2. The injected pV amount of 850 mbar l equals the operation of the cold trap of approximately 6000 days in standard KATRIN operation. Therefore, the capacity of the cold trap was also confirmed. A more detailed analysis of additional measurements can be found in [53].

²⁵CERN, <https://molflow.web.cern.ch>.

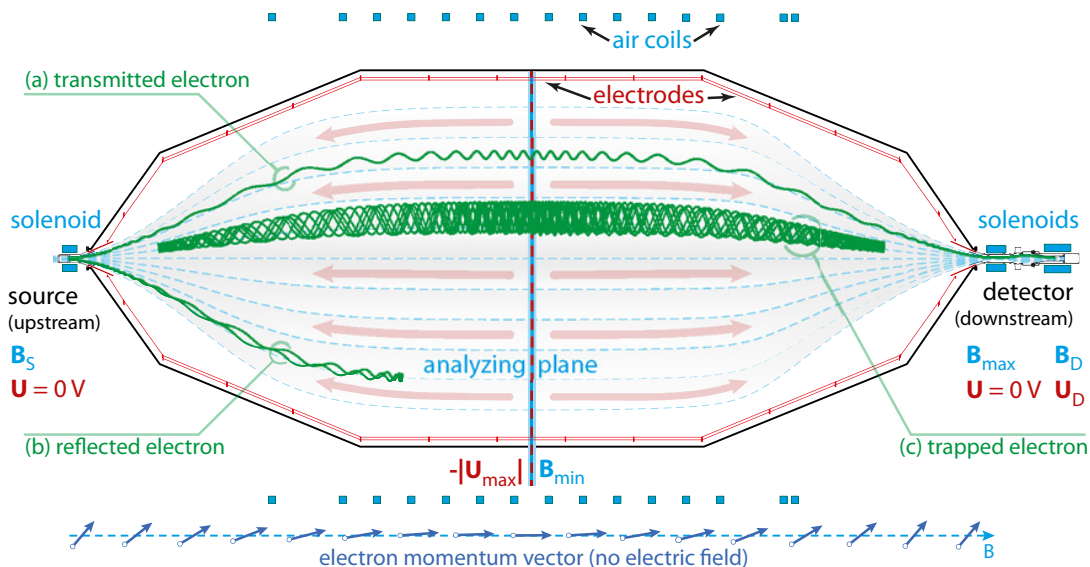


Figure 25. The MAC-E filter principle. Superconducting solenoid magnets provide the magnetic guiding field. Wire electrodes together with the vacuum vessel on high voltage create the electrostatic retarding potential. Electrons emitted from the source are being collimated magnetically under energy conservation, while the retarding potential slows them down and analyzes their kinetic energy as an integrating high-pass filter. Electrons with sufficient energy to pass the filter are transmitted and counted by the detector (track a); those with insufficient kinetic energy are reflected (track b). Electrons originated from inside the spectrometer volume may remain trapped due to the magnetic bottle effect at both ends (track c). At the bottom the magnetic adiabatic collimation is represented by electron momentum vectors without retardation.

5 Spectrometer system

The KATRIN spectrometer system consists of three Magnetic Adiabatic Collimation with Electrostatic (MAC-E) filter spectrometers, a Pre-Spectrometer (PS) and Main Spectrometer (MS) in the main beam line as well as a Monitor Spectrometer (MoS) in a parallel setup. Common to all spectrometers is to fulfill the requirements on vacuum, electrostatic potential, and magnetic guiding field in order to be operated as MAC-E filters. At the same time their individual configuration and application are important in complementing each other in the KATRIN setup.

5.1 Spectrometer principle and basic requirements

The MAC-E filter technique is based on the collimation of isotropically emitted electrons by the inverse magnetic mirror effect [9, 10, 54]. It applies magnetic adiabatic collimation in combination with an electrostatic energy filter for energy selection. Its basic configuration is shown in figure 25. The technique provides superior energy resolution in the eV range at electron energies of several keV and a high luminosity for signal electrons. It is thus an excellent choice for the KATRIN experiment [4].

Signal β -electrons are emitted in a region of high magnetic field B_S in the source. The magnetic field is produced by the superconducting solenoids at the spectrometer entrance and exit. It guides the electrons towards the center of the spectrometer as it drops by several orders of magnitude. Maintaining adiabatic particle transport with full energy conservation, the magnetic gradient

force transforms the cyclotron energy of the isotropically emitted electrons into the longitudinal component. In this case, the orbital magnetic moment μ of the electron's cyclotron motion and accordingly its angular momentum \vec{l} around a magnetic field line are conserved,

$$\mu = |\vec{\mu}| = \frac{e}{2m_e} |\vec{l}| = \frac{E_{\perp}}{B} = \text{constant}, \quad (5.1)$$

in a non-relativistic approximation. Here E_{\perp} and B denote the transversal component of the electron energy and the magnetic field, respectively. The transversal kinetic energy can be written in terms of kinetic energy E and pitch angle $\theta = \angle(\vec{p}, \vec{B})$ between electron momentum \vec{p} and magnetic field \vec{B} , which results in $E_{\perp} = E \cdot \sin^2 \theta$.

The fundamental requirement of the **MAC-E** filter is to provide adiabatic propagation of the signal electrons by maintaining sufficiently small magnetic field gradients and by initiating electrostatic retardation. In a region of small field gradients, the momentum transformation (5.1) occurs over a distance of several meters, requiring an overall length of 23 m of the **KATRIN Main Spectrometer (MS)**.

The transversal kinetic energy reaches its minimum in the so-called analyzing plane, where the magnetic field reaches a small value in the 0.5 mT range ($B_{\min} \ll B_{\max}$). Concurrently, the transversal energy is transformed into longitudinal energy due to energy conservation, which is then analyzed by the maximum retarding potential $|U_{\max}|$ in the analyzing plane.

Electrons are transmitted if their longitudinal kinetic energy is larger than the filter energy, $E_{\parallel} = E \cdot \cos^2 \theta > qU_{\max}$, where q is the electron charge. In this respect the **MAC-E** filter acts as a high-energy-pass filter for electrons. The finite width $\frac{\Delta E}{E}$ is essentially the remaining fraction of the perpendicular energy component that is not completely transformed into the longitudinal part. The energy resolution of such a configuration for an isotropically emitting electron source is given by the ratio [3]

$$\frac{\Delta E}{E} = \frac{B_{\min}}{B_{\max}}. \quad (5.2)$$

The **KATRIN MS** achieves an unprecedented energy resolution of $\Delta E = E \cdot 0.3 \text{ mT} / 6 \text{ T} \approx 1 \text{ eV}$ at $E = 18.6 \text{ keV} \approx E_{\max}$ by design. As described in section 2.2, the design resolution can be adjusted on purpose. The energy resolution of a **MAC-E** filter must not be confused with other particle detectors, defined by the width of the energy distribution of the detected events. For the **MAC-E** filter, the knowledge of the width and the shape of the transmission function of the high-energy-pass filter is crucial. Instead of introducing an energy error, the width of the transmission function, when fully characterised by electron gun measurements, does not restrict us to resolve even smaller structures in the spectrum.

The overall transmission characteristics needs to take the magnetic field at the source position into account. The acceptance angle of transmitted electrons relative to the magnetic field direction depends on the magnetic field ratio between that of the source position B_S and at the largest magnetic field B_{\max} region in the beam line. Referring to the magnetic bottle effect,²⁶ the maximum acceptance angle θ_{\max} can be derived as

$$\theta_{\max} = \arcsin \left(\sqrt{\frac{B_S}{B_{\max}}} \right). \quad (5.3)$$

²⁶This magnetic field configuration is also referred to as Mirror Trap in magnetic plasma refinement studies.

In the standard magnetic field configuration of the [KATRIN](#) experiment the maximum acceptance angle is $\theta_{\max} \approx 51^\circ$. A side effect of this design is trapping of electrons by the magnetic bottle effect. The electrons originating from the low magnetic field region in the center of the spectrometer are reflected by the increasing magnetic field at the spectrometer entrance and exit, see track (c) in figure 25. A hybrid trap for electrons, formed by the retarding potential on one side and the magnetic bottle on the other is not shown in figure 25, but is a combination of tracks (b) and (c). For positively charged particles or ions, the retarding potential itself is the trap. For the stable low-background operation of a [MAC-E](#) filter it is crucial to prevent ions from entering the main volume as well as the creation of electrons within.

The β -spectrum can be measured in integral form by varying the retarding potential, or more precisely by varying the potential difference between the source and the spectrometer. The requirements of the [MAC-E](#) filter are the basis of the electromagnetic and mechanical design of the [KATRIN](#) experiment [55]. A detailed discussion is available in [56].

The key requirements and design criteria for the spectrometers are the vacuum quality, high voltage and magnetic field stability, and optimal electron transport from the source to detector. They are summarized here:

- The vacuum systems of the spectrometers have been designed to reach a pressure in the lower 10^{-11} mbar regime (see section 5.2). The main reason for this challenging requirement is the reduction of the background originated from inside the spectrometer (see section 5.1.1).
- The electrostatic retarding potential defines the energy filter. A high-precision high-voltage supply, distribution, and monitoring system has been developed to provide the retarding potential with a relative precision in the ppm (10^{-6}) range for voltages of down to -35 kV (see section 5.3). The motivation for this is to limit the energy-scale-related contribution to the systematic uncertainty budgeted for the neutrino mass analysis.
- The magnetic field in the analyzing plane B_{\min} defines the energy resolution of the spectrometer for a given B_{\max} and is a key parameter for the neutrino mass analysis. Due to the finite spatial resolution of the pixelated detector wafer [57], a nearly homogeneous magnetic field across the analyzing plane is required to minimize systematic uncertainties (see section 5.4).
- The electromagnetic configuration must ensure that the transversal-to-longitudinal energy transformation is complete before the electrons reach the analyzing plane, where the electrostatic retarding potential is maximum. The magnetic field generated by the Air Coil Systems (see section 5.4.2) as well as the retarding potential offsets provided by the inner electrode system (see section 5.3.3) are fine-tuned to fulfill this requirement.

5.1.1 Main spectrometer related background

The majority of the background events observed in the [KATRIN](#) detector are produced in the spectrometer section. Since these electrons originate from inside the spectrometer, they appear in the same energy window as the filtered signal electron of the β -spectrum. There are four main possible sources of background, which are described here. Three of these sources are suppressed by appropriate countermeasures, leaving one dominating source of background.

Electrons from the spectrometer walls. Backgrounds from the inner spectrometer surface are induced by secondary electrons created by cosmic muons and ambient gamma radiation from building walls, concrete, or the vessel material itself. The primary mechanism to reduce this background is magnetic shielding by the Lorentz force [56]. This magnetic shielding effect, however, requires an excellent axial symmetry of the electromagnetic fields [55]; otherwise, surface-generated electrons would quickly drift into the inner magnetic flux tube volume and become a background source. The dominant non-axial magnetic field component is the earth magnetic field. Other sources include stray fields from magnetized steel bars and rods in the building materials of the spectrometer hall. In addition to magnetic shielding, the inner surface of the spectrometer is equipped with a wire electrode (see section 5.3.3), which can be charged with a more negative voltage than the vessel wall. Low energy electrons from the wall are reflected back in this configuration. Dedicated investigations showed that the background caused by electrons from the spectrometer walls is not dominant and is effectively mitigated by the measures mentioned here [58, 59].

Decay of radon atoms in the volume. Another source of primary electrons is radon decay; in particular, short-lived radon isotopes such as ^{219}Rn ($t_{1/2} = 3.9$ s) and ^{220}Rn ($t_{1/2} = 56$ s), which can decay before they are pumped out [60, 61]. Following the α -decay of a radon isotope, these background electrons can be produced by various processes [62]. Effective measures to reduce this background component have been investigated in prototype measurements with the **Pre-Spectrometer (PS)** [63, 64] that led to the design of the cryogenic baffles described in section 5.2. At the nominal pressure of 10^{-11} mbar, there is sufficient time to empty the trap regularly with appropriate measures, such as magnetic or electric pulsing [65], before too many secondary electrons are produced.

Magnetic trapping conditions. Electrons produced in a region with low magnetic field, enclosed by strong magnetic fields on both sides, can be trapped by the magnetic mirror effect. At the low pressure of 10^{-11} mbar in the spectrometers, a primary electron can ionize residual gas molecules over a period of several hours [62], until it has lost enough energy to leave the trap. Since about half of the low-energy secondary electrons are accelerated by the electrostatic field of the **MAC-E** filter towards the detector, a single radioactive decay with a primary keV-energy electron can increase the background rate considerably [66]. The number of secondary electrons produced depends on the primary energy. They are correlated in time, which lead to a non-Poissonian distribution of the background rate.

Neutral atoms and molecules are not deterred from entering the volume of the sensitive flux tube.²⁷ Thus, gaseous radioactive atoms, such as tritium from the **WGTS**, can enter the volume to produce primary electrons and a multitude of secondary electrons. Due to the long half-life of tritium, a large effective pumping speed helps to remove the tritium molecules before they decay.

Ionization of Rydberg atoms. The inner surface of the Main Spectrometer was exposed to ambient air during the construction phase. This exposure caused a small activity (order of 1 Bq/m^2) of surface-implanted ^{210}Pb from the decay chain of ^{222}Rn . Residual gas atoms (predominantly hydrogen) in Rydberg states are produced in sputtering processes at the inner spectrometer surface by ^{206}Pb recoil ions following the α -decay of ^{210}Po . The Rydberg atoms are able to enter the

²⁷The sensitive volume of the magnetic flux tube refers to the region where the magnetic field guides electrons to the focal plane detector.

magnetic flux tube where a small fraction is ionized by black-body radiation. The resulting sub-eV scale electrons are accelerated by the retarding voltage as they leave the spectrometer and contribute to the background at the detector.

5.1.2 Penning trap between the pre- and main spectrometers

When combining two **MAC-E** filter spectrometers in series, a Penning trap can be formed between their analysis regions. In case of the **PS** and **MS**, this happens due to the superposition of negative electric retarding potentials and the magnetic guiding field. Measurements showed that Penning discharges can occur at a pressure above 5×10^{-10} mbar, leading to a high background rate. At the nominal pressure of 10^{-11} mbar, the tandem spectrometer setup can run for hours without a Penning discharge. In addition, a wire [67] is moved in regular time intervals across the high-field region close to the magnet between the **PS** and **MS**. This wire catches the stored electrons before they can trigger a Penning discharge (see section 5.5.2).

5.2 The spectrometer vacuum system

The **ultra-high vacuum (UHV)** systems of the spectrometers have two main functions. The first is to maintain a low enough pressure that allows β -electrons to pass both spectrometers undisturbed. The second function is to prevent the production of backgrounds in situ. While the first condition can be easily met at 10^{-7} mbar, the second one requires a pressure in the lower 10^{-11} mbar regime. The pressure inside the spectrometers affects mostly the storage time of trapped particles, which lose energy through collisions with residual gas molecules. Secondary electrons, produced in this process, add to the background rate seen at the detector. Without countermeasures, they represent the dominant background of the experiment.

Both spectrometer vacuum systems meet the stringent requirement of a **UHV** in the low 10^{-11} mbar regime by employing a combination of cascaded **TMPs** and **non-evaporable getter (NEG)** pumps. The **NEG** pumps are made of a zirconium-vanadium-iron alloy,²⁸ which has been found later to be the dominant source of radon-induced background in the spectrometers [63]. As demonstrated in measurements [61, 64] and by extensive simulations [60], the radon influx into the sensitive volume of the magnetic flux tube can be sufficiently reduced by **liquid nitrogen (LN2)** cooled baffles, mounted between the **NEG** pumps and the inner spectrometer volume. This countermeasure has been implemented.

The pumping systems have been specified under the assumption of a pressure-dominating hydrogen outgassing rate of the stainless steel surfaces in the order of 10^{-12} mbar l/(s cm²). The stainless steel alloy (316LN) used in the construction of the vacuum vessels was chosen for its low magnetic permeability ($\mu_r \approx 1.005$), its mechanical properties, and its low radioactivity. The walls of the spectrometer vessels have been designed to be operated in a temperature range of -20 °C to 350 °C. The upper value was defined by the required temperature for the thermal activation of the **NEG** pumps, since the initial design intended to heat the getter material through thermal radiation from the walls. The temperature of the spectrometers is regulated by a combination of electrical heating tapes and a thermal fluid pumped through channels welded to the outer surface of the walls. The force exerted by the atmospheric pressure and the reduced tensile strength at higher

²⁸SAES Group, Type St707, <https://www.saesgetters.com/st707-strips>.

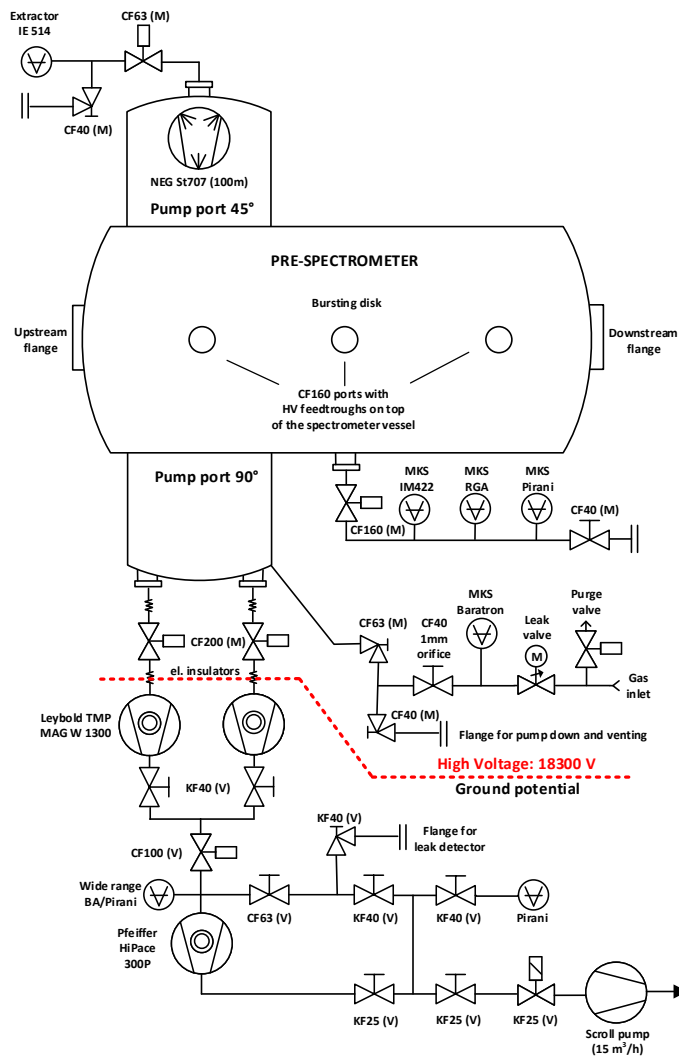


Figure 26. Schematics of the vacuum system of the Pre-Spectrometer.

temperatures led to a wall thickness of 10 mm for the **PS** and 32 mm for the **MS**. In the following sections, we give a short overview of the vacuum systems of both spectrometers and update the descriptions since the older publications on their design and performance [68–70].

5.2.1 Vacuum system of the pre-spectrometer

The vacuum vessel of the **PS** is 3.38 m long and has an inner diameter of 1.68 m. It has a volume of 7.6 m³ and an inner surface area of 25.6 m². The inner electrode system, also made of 316LN stainless steel, adds another 13 m² to the surface area. On top of the **PS**, three DN160 ports with CF flanges accommodate the high voltage feedthroughs, which connect to the inner electrode system. For safety reasons a bursting disk, which breaks at an over-pressure of 0.5 bar, is added to one of the ports.

At both ends are conical ceramic insulators attached to DN500 flanges, which connect the vessel (operated down to –35 kV) to the central beam line (ground potential). At the upstream end,

a DN200 all-metal gate valve connects the **CPS** to a short section of the beam line, passing through the warm bore of the first superconducting spectrometer magnet. At the downstream end, a flapper valve is integrated into the beam line inside the warm bore of the second spectrometer magnet, connecting the conical insulators of the **PS** and the **MS**. The flapper valve, designed and built at the University of Washington, is described in [68].

The **Pre-Spectrometer (PS)** served as a prototype for the **Main Spectrometer (MS)** [71], initially. After successfully testing the vacuum performance and the **MAC-E** filter properties of the **PS**, an unexpected source of background was discovered — magnetically trapped keV-energy electrons from ^{219}Rn decays [72]. It was known before that the short-lived ^{219}Rn isotope is released from the **NEG** material. However, the trapping of the primary electron for several hours and the subsequent increase of the background rate by secondary electrons was not expected in the original design [1]. This initiated the test of a **LN2**-cooled copper baffle mounted between the **NEG** pump and the inner volume [64]. The successful reduction of the radon-related background led to the implementation of the cryogenic baffles for the **MS NEG** pumps. Since secondary electrons from trapped electrons in the **PS** would not be able to overcome the retarding potential of the **MS** in the final setup, the current setup of the **PS** vacuum system does not have a cryogenic baffle, which would otherwise reduce the effective pumping speed of the **NEG** pump for tritium and hydrogen.

The **PS** vacuum system has been described in the original **TDR** in 2005 [1]. Figure 26 shows the updated flow diagram of the vacuum system. The general layout is still close to the original design with the following changes:

- Some of the vacuum gauges have been relocated to different flanges. All vacuum gauges are mounted behind valves, allowing the removal of a sensor without venting the spectrometer.
- The **NEG** pump in the 45° pump port has been upgraded from 90 m to 100 m of **NEG** strips. The original St707 **NEG** strips have been replaced by a new low-activity batch with reduced radon emanation [63], which is also used in the Main Spectrometer **NEG** pumps.
- An automated gas inlet system was installed. It is used for regular in-situ calibrations of the vacuum gauges, and for special measurements when the spectrometer is operated at an elevated pressure (up to 10^{-8} mbar by injecting clean Ar gas) to investigate the effects of ions from the source and transport section, as well as radon emanation from the **NEG** pump. The main components of the system are an electrically controlled leak valve, a capacitive gauge²⁹ (0.1 torr), and a 1-mm calibrated orifice used to monitor the gas flow into the vacuum vessel.

5.2.2 Vacuum system of the main spectrometer

The vacuum vessel of the **MS** is 23.23 m long and has an inner diameter of 9.8 m. It has a volume of 1240 m^3 and an inner surface area of 690 m^2 . The inner electrode system including all wires, also made of 316LN stainless steel, adds another 532 m^2 to the surface area. On the upper half of the **MS**, eleven DN200 ports with CF flanges accommodate high voltage feedthroughs, which connect to the inner electrode system. For safety reasons a bursting disk, which breaks at an over-pressure of 0.5 bar, is added at port F8 (see figure 27). The ports are also used for a pressure gauge (F9), a gas inlet system and a sapphire window for a UV source (F10).

²⁹MKS Instruments, Baratron 626, <https://www.mksinst.com/c/capacitance-manometers>.

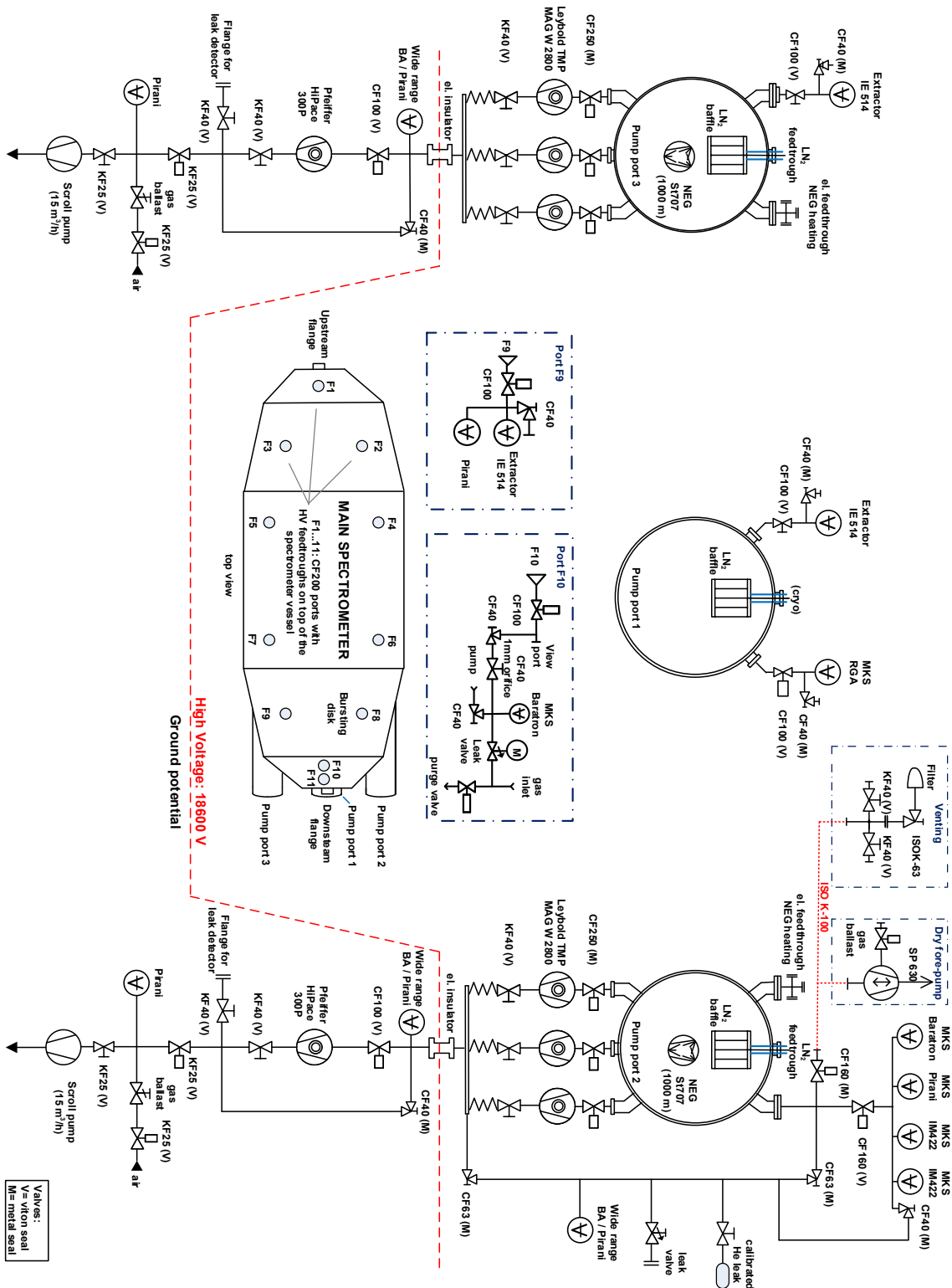


Figure 27. Schematics of the vacuum system of the Main Spectrometer.

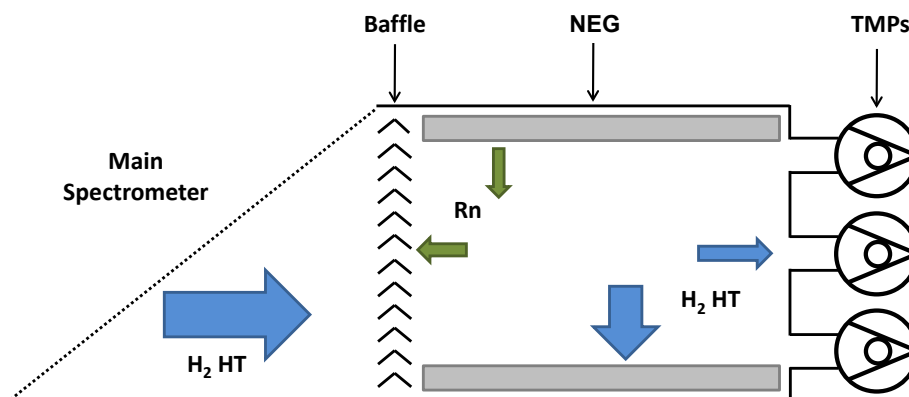


Figure 28. This drawing shows a cut through a 1.7-m diameter pump port of the **MS**. The cryogenic baffle separates the inner volume from the **non-evaporable getter (NEG)** pumps. Residual gases from inside the **MS** can pass the baffle and are being pumped by the **NEG** pump. Rn gas (also H_2O) sticks on the cold surface and cannot pass into the **MS**. Noble gases, which cannot be pumped by the **NEG** material, are pumped out by **turbo-molecular pumps (TMPs)**. Figure reproduced from [73]. See also [74] for details.

Like the **PS**, conical ceramic insulators are attached to DN500 flanges at each end, connecting the vessel (operated down to -35 kV) to the central beam line (ground potential). At the upstream end, the aforementioned flapper valve connects the **MS** to the **PS**, passing through the warm bore of the second spectrometer magnet. At the downstream end, a similar flapper valve passes through the warm bore of the Pinch magnet and connects the **MS** to the detector system.

A detailed description of the **MS** vacuum system and its commissioning has been published in [68]. Figure 27 shows the updated flow diagram of the vacuum system. The general layout is still close to the version described in [68] with the following changes:

- The **NEG** pumps have to be activated at a temperature of at least 350 °C (24 h). In the initial test in the empty vacuum vessel, the required temperature was reached by the heating system. However, short-circuits appeared in the inner electrode system during the baking of the spectrometer at temperatures above 200 °C. Since this temperature is sufficient for the thermal conditioning of stainless steel for **UHV** operation, it was decided to reconfigure the **NEG** pumps for electrical heating. In the new design, the **NEG** pumps can be activated at temperatures above 350 °C, which also reduces the required activation time.
- In the **MS**, the **NEG** pumps are the main source of radon-induced background events. Therefore, only two out of three possible **NEG** pumps were installed (see figure 28). In combination with cryogenic baffles between the **NEG** pumps and the inner volume, the radon-induced background has been reduced to an acceptable level [61]. These measures reduced the effective pumping speed of 10^6 l/s for H_2 in the initial design to 2.5×10^5 l/s. When the outgassing rate of the stainless steel is reduced by operating the **MS** at a temperature of 10 °C, this pumping speed is still sufficient to reach a pressure of low 10^{-11} mbar.
- For the in-situ calibration of vacuum gauges and special measurements at elevated pressure (up to 10^{-8} mbar), a gas inlet system, similar to the **PS** gas inlet, was installed. It allows

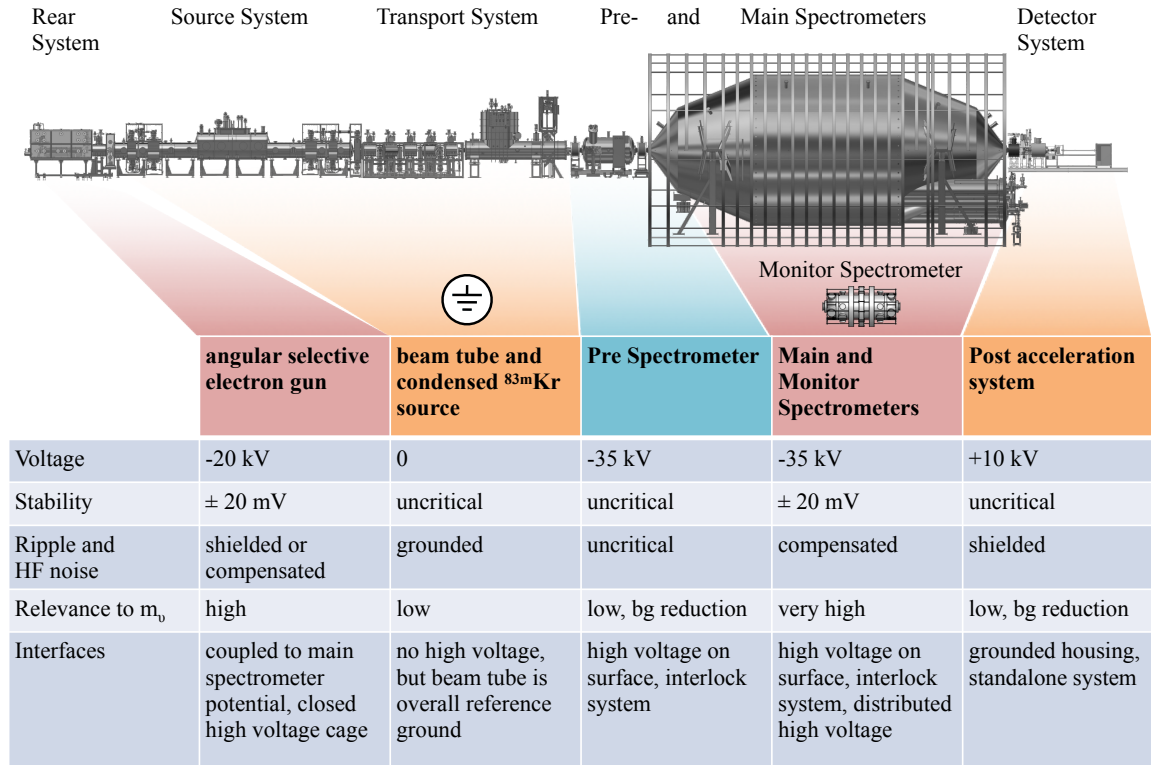


Figure 29. Overview of the high-voltage related parts of the **KATRIN** experiment from the angular selective electron gun at the upstream end to the spectrometers and the detector system at the downstream end of the beam line. The source system is grounded and therefore represents the overall reference ground. The requirements of the **Pre-Spectrometer (PS)** are moderate since it only filters the low energy part of the electron spectrum. The focus is on the **Main Spectrometer (MS)** with its precision retarding potential, which can be connected to the angular selective electron gun for precision transmission studies, and to the **Monitor Spectrometer (MoS)** for long term energy scale reference. The positive post-acceleration potential of the detector system is independent and does not influence the spectroscopic precision of the **MAC-E** filter.

the regulation and monitoring of gas flow with an electrically controlled leak valve. Its capacitance gauge also measures the pressure behind a 1-mm diameter calibrated orifice.

After completing the baking sequence in May 2017, the electrical activation of the **NEG** pumps, and the cooling of the cryogenic baffles to liquid nitrogen temperature, the requirements for the **MAC-E** filter conditions were met by achieving an ultimate pressure of 10^{-11} mbar³⁰ in the **MS**, operated at a temperature of 9.5 °C.

5.3 High voltage system

The effective retarding potential for the β -electrons is the difference between the electric potential at the point of the tritium decay within the **Windowless Gaseous Tritium Source (WGTS)** and the electric potential which the electrons experience within the **Main Spectrometer (MS)**. In figure 29,

³⁰Pressure gauges use nitrogen calibration. Value has to be multiplied by a gas correction factor of 2.3 for a hydrogen-dominated vacuum, no other gas correction factors have been applied.

an overview of all high voltage related parts in the **KATRIN** beam line is shown. The actual source tube of the **WGTS** acts as the reference ground for the entire measurement of the retarding potential in the **MS**, because this is the potential difference the electrons experience in a **MAC-E** filter setup. All parts of the transport system are also connected to the source tube reference ground.

5.3.1 High voltage at the pre-spectrometer

The **Pre-Spectrometer (PS)** has only moderate requirements on high-voltage precision, but needs to be operated down to -35 kV in order to filter the low energy part of the β -spectrum or during calibration with the $^{83\text{m}}\text{Kr}$ sources. The high-voltage setup of the **PS** is similar to that of the **MS**. The primary high voltage is on the vacuum vessel and the inner electrodes are used for adjustments. Due to its purpose of coarse filtering of low energy β -electrons, the stability and noise requirements are uncritical, thus off-the-shelf equipment is sufficient. The primary high voltage for the vessel is provided by a standard 35 kV high-voltage power supply.³¹ Floating on top of the primary high-voltage source, two 5 kV offset supplies³² with two channels each provide potentials for upstream, downstream, and central inner electrodes (see [74] for details). The primary high voltage is monitored by a standard voltage divider,³³ but is not relevant for precision monitoring nor data analysis. In addition, the current of the downstream electrode of the pre-spectrometer is monitored for the detection of ions, see section 7.4.3 and figure 54.

5.3.2 High voltage at the main spectrometer

When the **WGTS** potential is stable, the precision of the **KATRIN MAC-E** filters depends primarily on the stability of the retardation potential [75]. The surface in the **Main Spectrometer (MS)** where the electric retardation is maximum and the magnetic field is minimum defines the analyzing plane.³⁴ In an ideal, symmetric **MAC-E** filter like the **KATRIN MS**, the analyzing plane is a flat plane in the center of the spectrometer perpendicular to the beam axis.

The acceptable relative deviation of the retardation potential in the analyzing plane from its intended value is in the ppm (10^{-6}) range. Furthermore, the stability of the retarding potential has to be assured from very short time intervals (sub- μs) up to the duration of a whole measurement campaign (60 days).

The electric potential at each point of the analyzing plane is a superposition of the potentials of the vessel itself, all internal electrodes, as well as the grounded beam tubes at either end of the **MS**.

In order to perform precision studies of the electron transmission properties, the potential of the **MS** can be distributed to the electron gun at the far upstream end of the beam line. The **MoS** can also be connected to the **MS** potential for monitoring the energy scale stability (section 7.6). The entire high-voltage distribution and monitoring scheme is shown in figure 30 and will be discussed in the following sections.

³¹FuG-Elektronik HCN 140-35000, <https://www.fug-elektronik.de>.

³²ISEG-HV NHQ 226L https://iseg-hv.com/files/media/iseg_datasheet_NHQ_en_22.pdf.

³³Julee Research Labs KV-50 (now Ohm-Labs), <http://www.ohm-labs.com>.

³⁴Effectively the analyzing plane is the region of minimal longitudinal energy of the electrons. This coincides with the location of the maximum electric potential, if the adiabatic collimation, i.e. the adiabatic conversion of transverse energy into longitudinal energy in the spectrometer is done correctly.

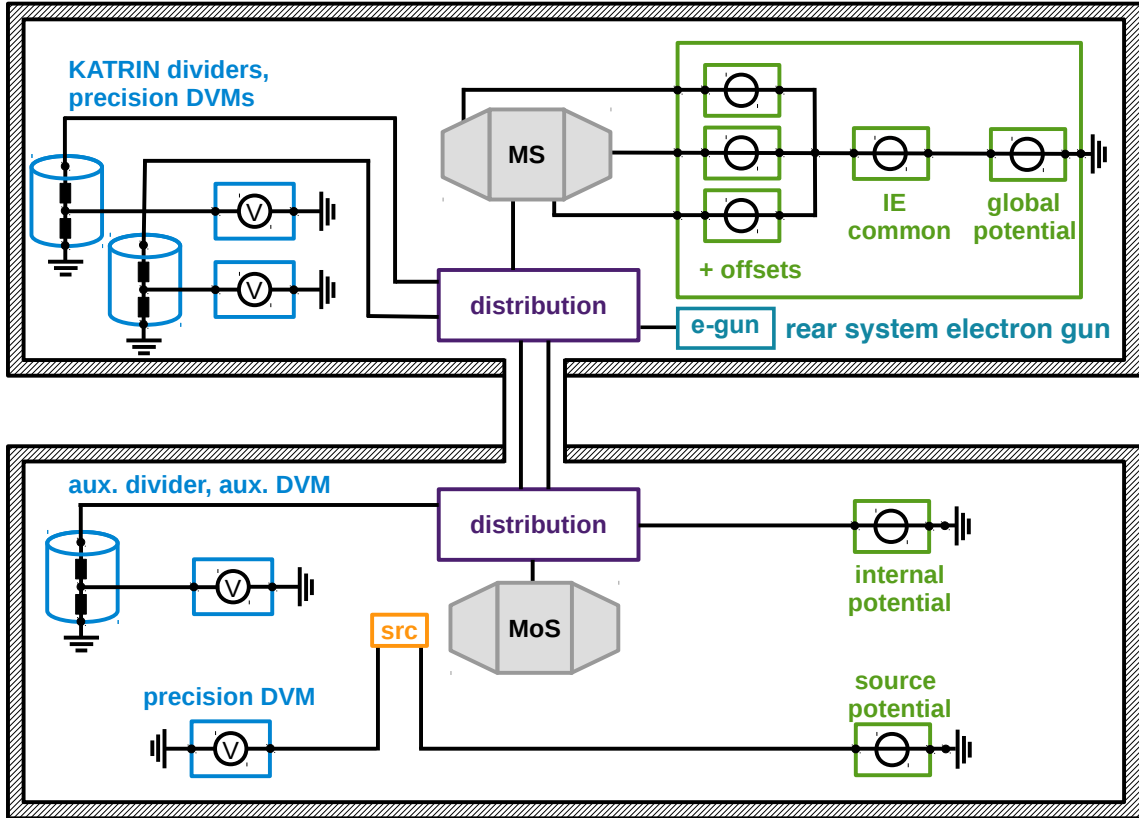


Figure 30. Distribution of precision high voltage among Main Spectrometer (MS), Monitor Spectrometer (MoS), voltage dividers, and electron gun. The electron gun and the MoS can be operated in stand-alone mode. All voltages and voltage dividers are monitored by precision digital voltmeters (DVMs).

5.3.3 Inner electrodes of the main spectrometer

The retarding potential of the MS is mainly established by applying a negative high voltage to the spectrometer vessel. In order to fine tune the shape of the electrical field inside, the inner surface of the MS is covered with an electrically isolated (partly dual-layer) wire electrode system [76]. An additional function of the wire electrode system is to prevent electrons from the vessel walls, e.g. created by cosmic muons or radioactive decays, from entering the MS volume. Therefore, this inner wire electrode system (IE) is put on a slightly more negative potential than the vessel. Otherwise those electrons from the walls could potentially find their way to the detector, contributing to the background of the experiment.

The working principle and a segment of the inner wire electrode system (IE) are shown schematically in figure 31. The geometrical cross section of the wires for the interaction with muons or gammas are negligible compared to the vessels wall. The wire diameter d and inter-wire spacing s were chosen such that secondary electron emission from the wires is about 2 orders of magnitude smaller than that from the vessel. The secondary electrons have energies of typically a few eV up to a few tens of eV, which can be reflected back to the vessel wall effectively by a wire voltage of $O(-100)$ V relative to the vessel voltage. It should be noted that the IE is not the only shield against secondary electrons from the vessel entering the magnetic flux tube. The dominating shielding is provided by the axial magnetic field of the air coil system (section 5.4.2).

The requirement of a small geometrical cross section for background reasons precipitates the dependence of the electric potential inside the spectrometer on the electric potential of the wire electrodes U_{wire} and of the vessel potential U_{vessel} . For a simple geometry shown in figure 31, the electric potential far away from the wire (i.e. at least a few wire distances s) can be described by an effective potential U_{eff} :

$$U_{\text{eff}} = U_{\text{wire}} + \frac{U_{\text{vessel}} - U_{\text{wire}}}{S} . \quad (5.4)$$

The screening factor S is given by geometry:

$$S = 1 + \frac{2\pi l}{s \cdot \ln \frac{s}{\pi d}} . \quad (5.5)$$

Equation (5.4) and equation (5.5) show that the distance between the wires and the wire layers have to be kept with high precision. Therefore, a wire position and tension measurement system has been developed and set up in the clean rooms during production and installation [77–79].

For a complex geometry like the **KATRIN MS** with its **IE**, the spatial dependence of the electric potential was calculated with a dedicated boundary element method [80].

The **IE** comprises 248 segments arranged in 15 rings (see figure 32). Each ring can be set on a different potential to fine-tune the electric potential. An exception is in the 5 rings of the central, cylindrical part of the **MS**; they are short-circuited in order to maintain a homogeneous electric retardation potential in the analysis plane. In addition, each ring is divided along the vertical axis into an eastern and a western half ring, which can be temporarily switched to a different potential in order to eject stored particles by $\vec{E} \times \vec{B}$ drift (see section 5.5).

The 5 central rings as well as the three rings in the flat conical parts at both ends of the **MS** feature two wire layers for exceptional background shielding. However, the two layers in some parts of the **IE** were short-circuited during the baking of the vessel at 300 °C. The whole **IE** is now operated as a single wire layer system (see section 5.2.2). In total, 11 different voltages need to be supplied for the wire electrode system, i.e. 22 different voltages in the electric dipole mode. Furthermore, individual potentials are applied to the two metal electrodes at both ends of the **MS** vessel. These electrodes are needed to avoid a local Penning trap near the edges of the vessel. Table 5 exhibits the typical electrical potential values of the wire electrode system in standard (single-wire layer) operation.

Figure 33 shows a photo from inside the main spectrometer during mounting of the wire electrode system under clean room conditions.

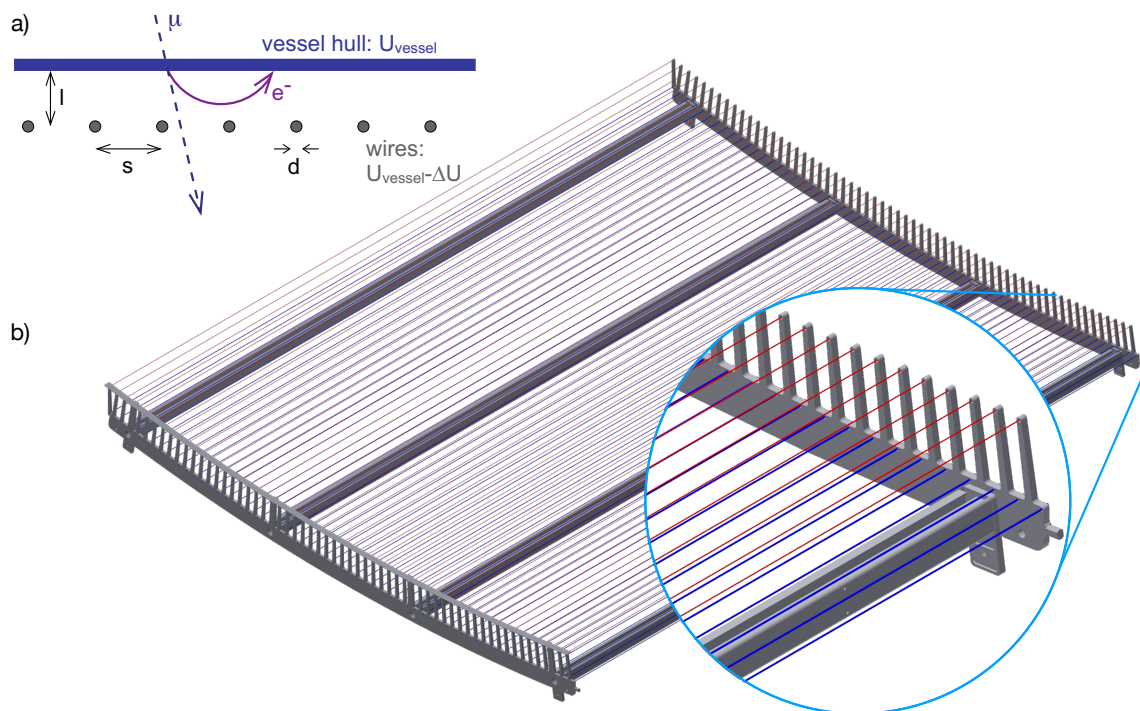


Figure 31. Wire electrode of the MS. a) Working principle of the system for the one-wire layer case. Secondary electrons, which are created by cosmic muons (or radioactivity like α - or β -decay or γ -radiation) hitting the vessel, are reflected due to a negative potential applied to the wires at a distance l (here 15 cm) to the wall. Each wire has a diameter d and a distance s (here typically 2.5 cm) to its neighbor. b) Drawing of a $2\text{ m} \times 1.5\text{ m}$ large segment of the central dual-layer wire electrode system. Wire diameter d is $200\text{ }\mu\text{m}$ for the red and $300\text{ }\mu\text{m}$ for the blue wire. For visibility the wire diameter is enlarged in this drawing.

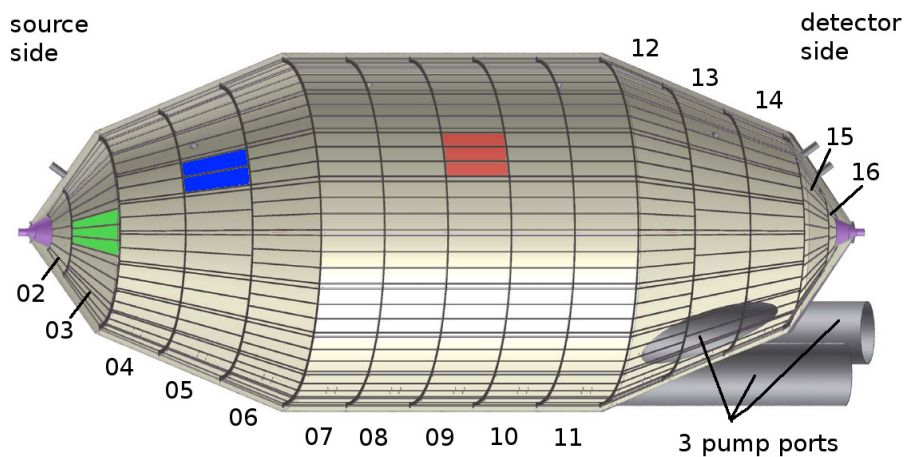


Figure 32. Overview of the ring structure of the MS IE with numbering scheme and 248 segments covering the inner surface of the MS vessel (from [81]). Rings 2 and 3 cover the upstream steep cone (module highlighted in green). Rings 4, 5, and 6 cover the upstream flat cone (module highlighted in blue). Rings 7 to 11 cover the cylindrical part in the center (module highlighted in red). From rings 12 on this scheme is continued for the downstream flat and steep cones. Not numbered are rings 1 and 17, which correspond to the solid electrodes at the upstream entrance and downstream exit of the MS (highlighted in purple).

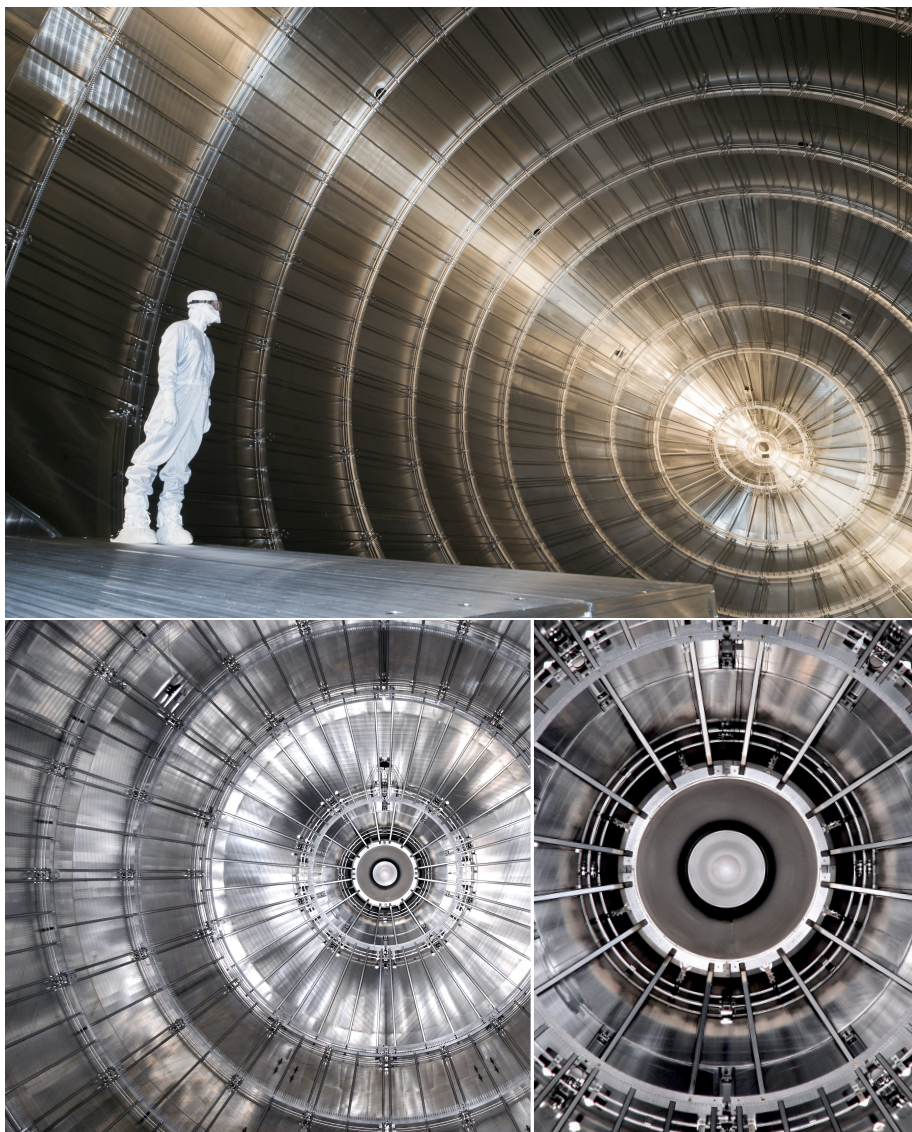


Figure 33. Upper photo from inside the main spectrometer during mounting of the wire electrode system under clean room conditions. Photo provided by M. Zacher. The lower left photo shows the finalized installation with grounded entry electrode in the center made of aluminum (insulator not visible due to perspective), surrounded by the full metal anti-Penning electrode (ring 1) made of titanium, followed by rings 2 and 3 of the steep cone as well as rings 4, 5 and 6 of the flat cone, all made of stainless steel identical to the vessel. A detailed view of the entry electrode construction can be seen in the lower right photo. Both photos provided by T. Thümmler.

Table 5. Electrical potential ΔU with respect to the MS vessel potential U_{vessel} on the IE rings in single-wire layer operation mode. Both (up- and downstream) full metal anti-Penning electrodes (rings 1 and 17) are usually shorted to the MS vessel potential and not listed here. Refer to figure 32 for geometrical overview.

Location	Ring	Voltage ΔU (V)
upstream steep cone	2	-160
upstream steep cone	3	-160
upstream flat cone	4	-200
upstream flat cone	5	-200
upstream flat cone	6	-200
cylindrical part	7–11	-200
downstream flat cone	12	-200
downstream flat cone	13	-200
downstream flat cone	14	-200
downstream steep cone	15	-160
downstream steep cone	16	-160

5.3.4 High voltage distribution and monitoring

The MS vessel itself is charged up to almost the full negative voltage of the filter potential. This avoids the technical challenge related to large voltage differences of the IE to the MS vessel. The inner wire electrodes are only a little more negative (see table 5). With the vessel at a potential different from the ground potential, insulating parts within the beam tube are used to separate the DC voltage of the vessel (down to -35 kV) from the grounded parts of the beam tube, e.g. the grounded electrodes (see figure 33).

The main spectrometer high-voltage system consists of several voltage supplies, high-voltage dividers, and digital voltmeters to create and measure the retarding potential of the MS. The overall distribution scheme between the MS, MoS, voltage dividers, and electron gun is shown in figure 30. Figure 34 focusses on the distribution in the MS and its IE. The key units are:

- **The main HV power supply** delivers the basic voltage of -18.4 kV (down to -35 kV) to the vessel of the MS and provides the reference potential of the HV distribution rack, where all other power supplies are located. In order to reduce the high-frequency (HF) noise and AC fluctuations of the HV, an active post-regulation system is used (see last paragraph of section 5.3.4). This primary potential can also be routed to the angular selective electron gun at the upstream end of the beamline (see section 7.7.1).
- **The IE common HV power supply** delivers a negative offset of usually -200 V (max. -2 kV) to the whole inner wire electrode system (IE), resulting in an absolute retarding potential of -18.6 kV. Since the analyzing plane is determined by the most negative potential in the center of the MS, the inner wire layer of the central cylindrical part of the IE is hard-wired to this offset potential.

- **Two dipole power supplies** in combination with a relay each create a fast switching ($O(\text{ms})$) dipole voltage of down to -1 kV for one side or the whole of the **IE** (east and/or west). This feature can be used to remove background caused by magnetically trapped charged particles in the **MS** with an $\vec{E} \times \vec{B}$ drift [82]. The dipole power supplies are disabled (short-circuited by relays) during single tritium runs and can be activated to get rid of the stored particles between runs.
- **Multiple offset power supplies** deliver positive voltages of up to 500 V on top of the **IE** common potential for single channels of the wire electrode system. The configuration can be arranged by the so-called patch panels. Each of these matrices (one for the east and one for the west dipole) with 23 rows and 23 columns connects 22 of the 24 offset power supplies with the 22 isolated parts of the wire electrode (or 11 respectively, in single wire layer mode, see section 5.3.3) or directly to the **IE** common potential. By this arrangement, all elements of the **IE** can be operated at individual or common potentials and any arbitrary configuration.
- **The precision measurement of the retarding potential** is performed with custom-made ppm-precision HV dividers K35 [83] and K65 [84] and two 8.5-digit **precision digital voltmeters (DVMs)**³⁵ (see figure 30). The high-voltage dividers have been calibrated at PTB Braunschweig, the German national metrology institute, and a novel in-house calibration method has been successfully developed and tested [85]. The offset values and gain correction factors of the **DVMs** are determined twice per week based on a set of 10 V reference standards.³⁶ For traceability, a subset of the reference standard units is calibrated once per year at an external calibration lab based on the Josephson standard. Additionally, this voltage is also distributed to the **MoS**, which runs in parallel to the tritium measurement with a $^{83\text{m}}\text{Kr}$ source in order to monitor the HV.

The precision HV dividers provide a ppm-precise monitoring of the high voltage. However, in order to simplify the analysis and for practical reasons it is also desired that not only the monitoring but also the set points and absolute value of the applied HV can be provided with ppm-precision. For the **IE** common and offset power supplies, the same level of precision is not required, since their outputs are in the range of a few 100 V. Such devices with uncertainties in the 10 mV range or better are commercially available. For the main HV power supply this requirement is challenging, since the absolute value is much higher. A custom-design precision high-voltage power supply has been developed (HCP 70M-35000)³⁷ to provide voltages down to -35 kV with a stability of 2 ppm over 8 h. When the post-regulation system is running, the stability requirement for the HV power supply is less stringent, since the HV is regulated by an active control circuit (see last paragraph of section 5.3.4).

The HV system of the **MS** has been tested and operated successfully in two commissioning phases of the spectrometer and detector section as well as during the first measurement campaign with $^{83\text{m}}\text{Kr}$ [87] and tritium [43].

Post-regulation. The **MS** provides no electrostatic shielding and therefore acts as a large antenna for HF interference. Due to the large capacitive coupling between the **IE** and the **MS** vessel (many nF) and the impossibility to connect the **IE** in such a way that they form their own Faraday cage from

³⁵Fluke 8508A, <https://us.flukecal.com>.

³⁶Fluke 732B, <https://us.flukecal.com>.

³⁷FuG-Elektronik, <https://www.fug-elektronik.de>.

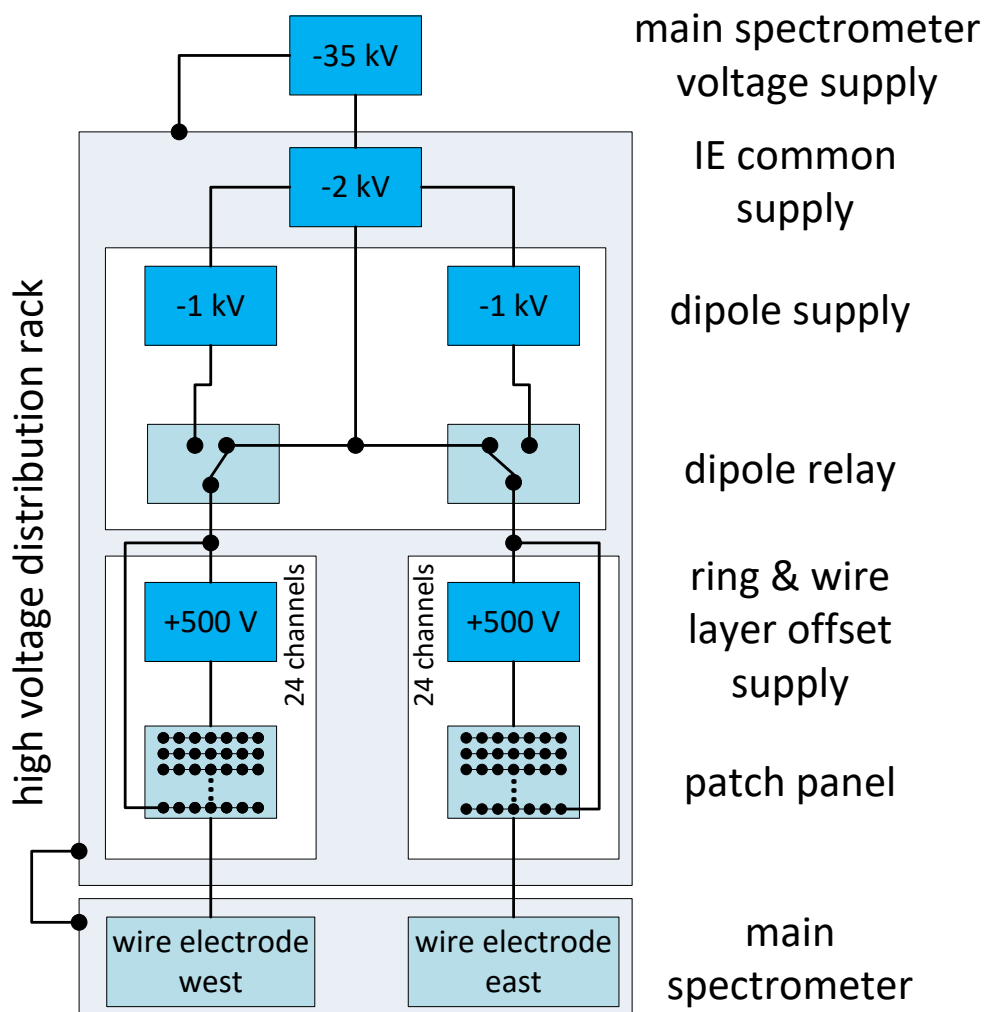


Figure 34. Simplified schematic overview of the HV system of the MS. The main HV power supply delivers a voltage down to -35 kV, which is distributed to the MS vessel and the HV distribution rack. Here, an additional so-called IE common HV power supply is used to deliver a negative offset potential to the IE. With dipole power supplies and relays, each one of the inner electrode dipoles (east and west) can be loaded with fast switching negative voltages for the removal of stored charged particles. For the 22 isolated elements of the inner electrode of each dipole (11 in single wire layer mode), 24 channels of positive offset power supplies are available. The distribution is done with the patch panel. The IE common voltage is also connected to the patch panel to allow for the direct connection of the IE, e. g. for the central electrodes, to this potential. Not shown here is the precision monitoring of the IE common HV relative to the ground potential with the help of custom-made ppm-precision HV dividers read out by 8.5-digit DVMs and, redundantly, the MoS. Figure reproduced from [86].

all other electrodes, it must be assured that an effective Faraday cage is formed by the grounded beam tube parts in conjunction with the MS vessel.

To build the Faraday cage from the beam tube interrupted by insulators without galvanically reconnecting it to the vessel, the insulators must be made ineffective for any AC voltages forming across them. The HV power-supply units that feed the KATRIN MS are not able to actualize

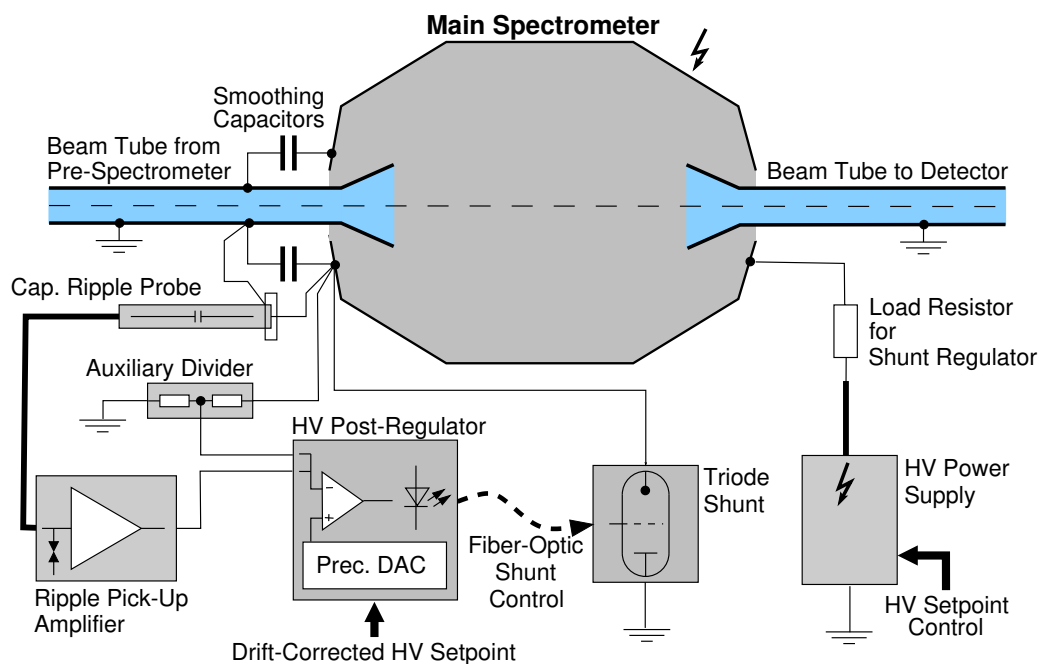


Figure 35. Overview of the concept of the post regulation system with capacitive pick-up probe, smoothing capacitors, regulator and feedback loop.

this. This is due to the parasitic inductance of the connection line from the supply unit to the spectrometer and the output impedance of the supply unit that is not low enough in some frequency ranges (such as 1 Hz to 1 kHz). Creating a low AC impedance across the insulators by simply attaching large capacitors would require very bulky devices that in turn have large parasitic inductances and render them ineffective at higher frequencies (MHz). Moreover, capacitors that large would store a lot of energy that might result in a highly destructive electromagnetic transient in case of an accidental HV discharge event.

The post-regulation system (see figure 35) implements an active compensation loop to remove high frequency noise from the precision retarding potential. A capacitive pick-up probe detects the ripples on the high-voltage potential, which is then amplified and inverted. The inverted ripple is then fed into the regulator which drives a triode shunt to re-apply the potential correction to the vessel potential. The stability of the regulation is maintained by referring to an auxiliary divider and to precision set points from the [slow control system \(SCS\)](#).

5.4 Magnet system

The magnetic field inside the [Main Spectrometer \(MS\)](#) is dominated by the fringe fields of the superconducting magnets of the [Pre-Spectrometer \(PS\)](#) and the detector system. The magnetic field at the analyzing plane of the [MS](#) is further optimized with the normal-conducting air coil system (section 5.4.2) surrounding the [MS](#). It can provide a magnetic field strength of up to 2 mT.

5.4.1 Beam line magnets

The guiding magnetic field of the beam line in the spectrometer system is defined by four strong superconducting magnets [19]: two in the [PS](#) and two in the detector system.

- Two magnets of the **PS**: they are two 4.5 T cryogen-free conduction cooled superconducting magnets installed between the entrance of the **PS** and the **CPS** called **Pre-Spectrometer magnet 1 (PS1)** and between the exit of the **PS** and the **MS** called **Pre-Spectrometer magnet 2 (PS2)**. A two-stage Gifford-McMahon (GM) cryocooler³⁸ is adapted for cooling of the magnet. The magnets are operated in driven mode at a nominal field of 3.1 T. The air-cooled power supplies³⁹ provide a sufficient current stability of $< \pm 100$ ppm per 8 h. The current stabilities of the power supplies are monitored by DC current transducers.⁴⁰ The stability of the **PS** magnet currents at their nominal settings (70 % of the design fields) are summarized in table 6.
- Two magnets of the detector system: the magnets of the detector system comprise the “**Pinch magnet**” (**PCH**) and the “**Detector magnet**” (**DET**) [57]. The 6 T **PCH** provides the highest magnetic field for the experiment (nominal operation at 4.2 T), while the **DET** delivers a 3.6 T field (nominal operation at 2.5 T), matching the field at the source. To achieve the requirement of high field stability 0.03 %/month, the magnets are designed for persistent current mode operation, like the **RS** and the **DPS** magnets, which have persistent switch heaters inside the liquid helium bath. The magnets are cooled in a liquid helium bath at a small over-pressure of about 4.8 kPa by recondensing boiling helium with a two-stage pulse-tube cryocooler.⁴¹ The magnetic field drift of the magnets were checked during the commissioning of the magnets with a NMR probe; they are well within the specification [19, 57].

Table 6. The stability of the **PS** magnet currents at their nominal settings (70 % of the design fields). Eight hours of data from the external flux gate current sensors were used for the calculation of the average current $I_{av,ext.}$ and its standard deviation σ (A). A small offset value at zero-current has been corrected for $I_{av,ext.}$.

	PS1	PS2
$I_{av,ext.}$ (A)	109.459	108.806
σ (A)	3.8×10^{-4}	3.2×10^{-3}
$\sigma/I_{av,ext.}$ (%)	3.5×10^{-4}	3.0×10^{-3}

The beam line magnetic fields in the spectrometer system will be set in standard nominal configuration to analyze the tritium β -spectrum. In addition, they can be configured either symmetrically or asymmetrically to the analyzing plane for background investigations and the alignment of the **MS**. In the symmetric field configuration, the magnetic fields in the **MS** will be set symmetrically from the analyzing plane either by setting the **PS2** and the **PCH** at the same field or by using the air coils. For the asymmetric field configuration in the **MS**, either the two **PS** magnets are turned off or the air coils are configured individually for the investigation of background electrons from the **MS** vessel wall [88].

³⁸Sumitomo RDK-415D <https://www.sumitomocorp.com/>.

³⁹FuG-Elektronik NTS 800-5, <https://www.fug-elektronik.de>.

⁴⁰DCCT, IT 200-S Ultrastab manufactured by LEM, <https://www.lem.com/>.

⁴¹Cryomech PT410, <https://www.cryomech.com>.

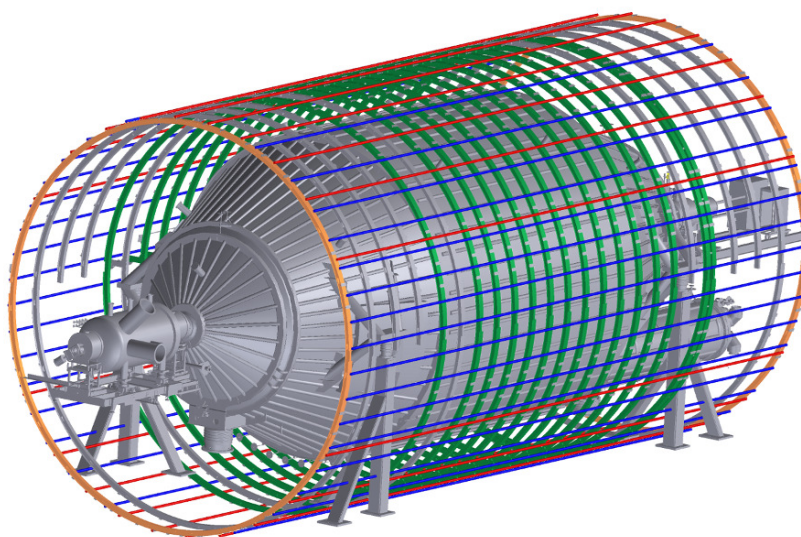


Figure 36. A schematic view of the spectrometer system with the air coil systems around the MS: 14 LFCS coils (green circles) and 2 EMCS wire loops (blue/red straight lines) correct and fine-tune the magnetic field in the MS. All coils can be operated individually. Figure reproduced from [55]. CC-BY 3.0.

5.4.2 Air coil system

The air coil system aims to provide optimal transmission properties for signal electrons and to reduce background electrons by efficient magnetic shielding. Optimal MAC-E filter characteristics in the MS can be achieved by operating the air coils in addition to the beam line magnets, as investigated in [55].

The air coil system is designed to fine-tune the magnetic field in a range of up to 2 mT in the analyzing plane. There are two large-volume air coil systems mounted on a cylindrical holding structure around the MS vessel: the Low-Field Correction System (LFCS) and the Earth Magnetic field Compensation System (EMCS). The LFCS comprises 14 12.6-m-diameter normal-conducting solenoids installed around the longitudinal axis of the 23.23-m-long MS vessel. The EMCS consists of two sets of dipole coils installed around the x- and y-axes of the MS to compensate for the earth magnetic field in the MS. Each of the 16 air coils can be individually charged by its associated power supply⁴² for fine tuning of the magnetic field in the analyzing plane. The details of the air coil systems are reported in [55, 89, 90].

The current stability of the 16 individual power supplies of the air coils is monitored by the same type of DCCT as the PS magnets. A relative uncertainty of $\sigma/I < 10^{-3}$ is reached for the current monitoring of the 16 power supplies. The details of the magnetic field measurements and analysis are described in section 7.5 and [89, 91].

Fine-tuning of the individual LFCS currents allows to optimize the homogeneity of the magnetic fields in the MS for tritium runs. The flexibility of adjusting the magnetic field also allows the investigation of backgrounds from the MS vessel wall or its IE. By increasing the magnetic field in the MS, the transported magnetic flux volume can be reduced, which would help reduce the background

⁴²SM-3000 series, Delta Elektronika, <https://www.delta-elektronika.nl>.

rate during the standard operation. In addition, a special magnetic-pulsing mode (section 5.5.1) can effectively remove stored electrons from the transported flux-tube. For this purpose the nominal currents of the 14 LFCS coils can be individually inverted. For certain background investigations, a static current inversion is applied to the LFCS, providing field lines that connect sections of the vessel wall with the detector. Along these field lines, background electrons from the vessel walls, otherwise magnetically shielded from the detector, can be directly detected.

5.5 Background mitigation

A low background rate is vital for the success of the KATRIN experiment. Different active methods are available to reduce the background.

5.5.1 Magnetic pulse

The air coil system at the MS (section 5.4.2) is equipped with the so-called flip-boxes that can invert the current direction in each coil individually. At typical coil currents of up to 120 A, the inversion takes less than 0.1 s. By inverting multiple LFCS coils simultaneously, the magnetic guiding field inside the MS is inverted. This process takes place within one second, after which the currents are flipped back to normal. This magnetic pulse deforms the magnetic field lines so that stored electrons are guided towards the MS vessel walls, where they are removed. In addition, a radial drift is induced by the magnetic field change that supports the electron removal. Tests of this system have been carried out during several commissioning phases. The test results indicate the system's effective removal of a large fraction of stored electrons from the flux volume; the details can be found in [65].

5.5.2 Penning wiper

Due to the superposition of the negative electric potentials of the PS and the MS, with the magnetic field of the PS2, a Penning trap for negatively charged particles is formed in the inter-spectrometer space. If an electron passing through this region loses kinetic energy via synchrotron radiation, or elastic or inelastic scattering on residual gas particles, it can be trapped. Also secondary electrons can populate the trap, even without any energy loss. As a consequence, this trap accumulates electrons and can lead to the creation of additional background. Once the accumulated electron density is high enough to trigger residual gas ionization processes and discharges, it interrupts measurements and can damage hardware downstream in the spectrometer and detector systems. These problems do not allow for operating both spectrometers at high voltages at the same time unless there is a reliable countermeasure to limit the population in the Penning trap.

As a countermeasure, the mechanical removal of trapped electrons was developed and tested. This is based on the fact that the trapped electrons will hit a wire anywhere in the flux tube within less than ~ 1 ms due to the magnetron rotation around the symmetry axis [92]. Finally, three electron “catchers” were implemented at different positions inside the valve of the PS2 magnet (see figure 37) [67]. An electron catcher is a 2-mm-diameter Inconel rod that can be moved in or out of the magnetic flux tube by means of an external pneumatic muscle driven by pressurized air connected to the catcher. The rod is large enough to reach the central axis of the beam line so that all stored electrons in magnetron motion are intercepted. The ability to move the catcher is important to prevent unnecessary losses in statistics due to shadowing of detector pixels if the catcher were fixed

pre-spectrometer side

main spectrometer side

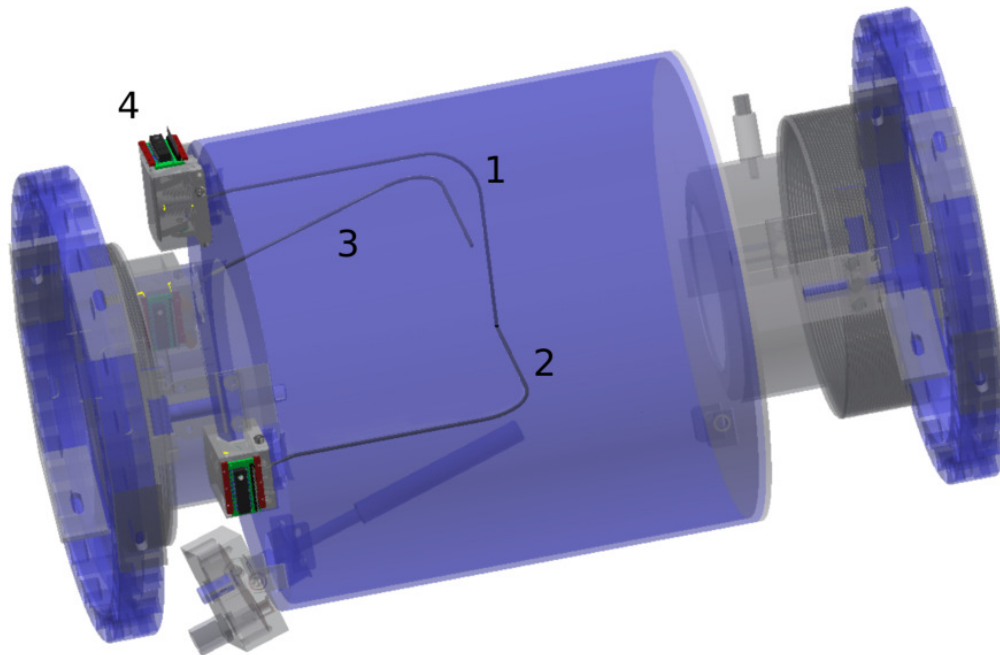


Figure 37. A schematic view of the three electron catchers (1),(2), and (3) inside the valve of the PS2 magnet; (4) is a catcher’s microcontroller. The valve connects to the PS exit flange on the upstream end (left) and to the MS entry flange on the downstream end (right). Figure reproduced from [67].

inside the flux tube. Three catchers are installed for redundancy as the number of operation cycles is limited to 1.5 million each.⁴³ The electron catchers can stop or prevent discharges and empty the trap when needed, e.g. in pressure conditions up to few 10^{-9} mbar during background studies. They can be controlled by the **Object oriented Real-time Control and Acquisition (ORCA)** software manually or automatically in run scripts (see section 8.3). The actuation of the electron catchers when the detector rate surpasses a predefined safety threshold (during a Penning discharge) has been implemented in a detector safety script. Moreover, each catcher is equipped with a photoelectric sensor that detects its position and indicates when the catcher moves in or out of the flux tube. This signal is recorded by the **Data acquisition (DAQ)** system together with the **Focal Plane Detector (FPD)** data for offline analysis.

5.5.3 Electric dipole

As mentioned in section 5, electrons created inside the MS volume can be trapped within the high magnetic fields at both ends of the vessel. In the MS’s ultrahigh vacuum ($\approx 10^{-11}$ mbar), these electrons can be stored up to several hours, potentially inducing additional background mainly through the ionization of residual gas. To mitigate this process, the MS can be operated in dipole mode, described in section 5.3. In this configuration, different potentials on the western and eastern part of the IE form an electric dipole field in the spectrometer (see figure 39 a). Through the

⁴³The only moving parts are custom made membrane bellows by company COMVAT, <https://www.comvat.com>.

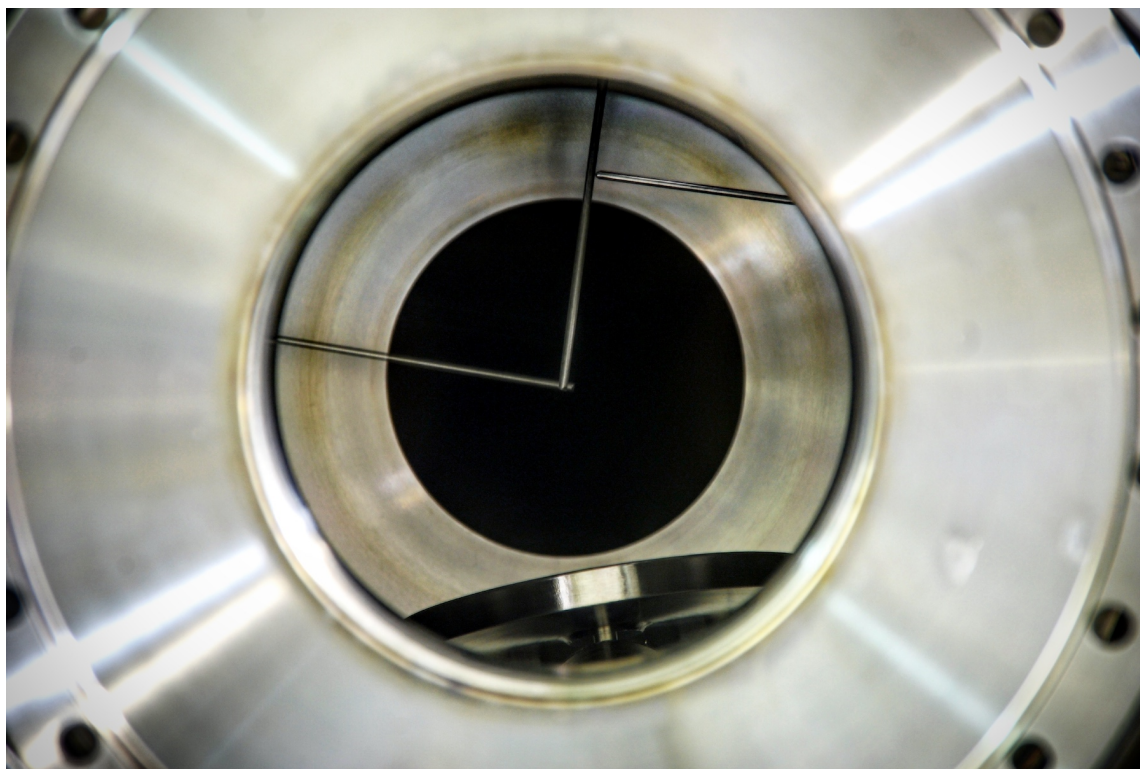


Figure 38. Photo of the electron catchers inside the valve: two of them (upper and left) are inserted into the flux tube, one (right) is retracted. Figure reproduced from [67].

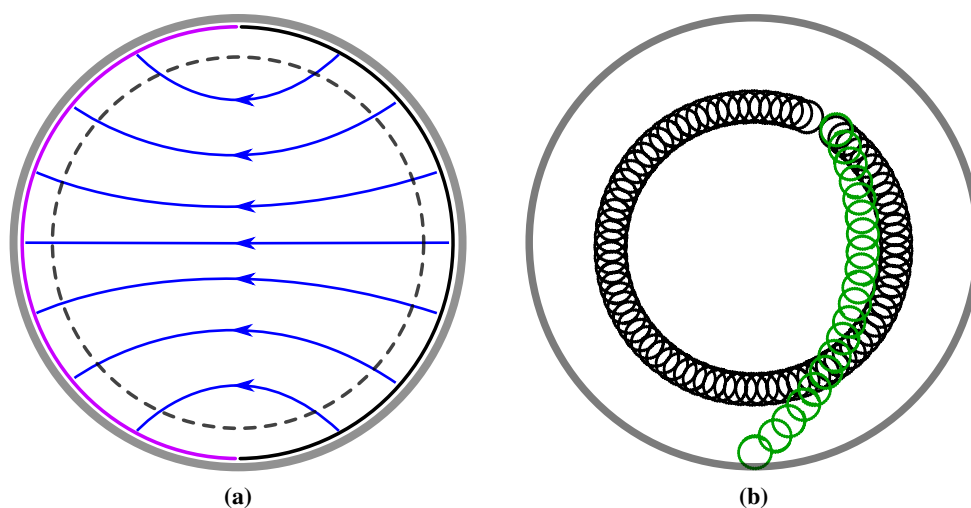


Figure 39. Electron removal with electric dipole: a) Visualization of the **MS** dipole field. The dashed line indicates the flux tube. b) Trajectory of a stored electron (black) and of removal through the application of a dipole pulse (green). Figures adopted from [56].

combination with the guiding magnetic field, an $E \times B$ drift is induced, driving stored electrons towards the vessel walls (see figure 39 b). Since this drift is superimposed with the magnetron motion of the stored particle, this action is effective only when it is accomplished within one magnetron turn. Therefore, the efficiency of this method depends on the electric dipole field strength and the kinetic energy of the stored electron, limiting its application to removing electrons up to a few keV. For efficient removal, a short dipole pulse of about one second is sufficient. The electric dipole mode, static or pulsed, and its on-off time is controlled by the ORCA software. The electric dipole cannot be applied during standard data taking, because the field would distort signal electron transmission. However, its short operation time allows its operation during changes of the retardation potential in a tritium run. For analysis purpose, the dipole status is stored together with the FPD data. Besides background mitigation, the electric dipole field can also be used for background electron investigations (e.g. electron energy spectrum measurement with various vessel potentials). More details about the electric dipole can be found in [56, 82].

5.5.4 UV irradiation system — the light hammer

The Rydberg background depends on the condition of the inner surfaces of the MS. In order to have the option to improve the surface conditions using UV light, a microwave-powered UV irradiator⁴⁴ was installed at port F10 of the MS (see figure 27). The interior of the MS is illuminated by shining the UV light through a 2-mm-thick sapphire window on a 63CF flange. Background measurements, performed before and after a three-day irradiation of the MS, did not show a significant change in the background for a baked MS. Further investigations will follow, but as of now the impact on the Rydberg background component is inconclusive.

6 Detector system

The Focal Plane Detector (FPD) system [57] for the KATRIN experiment consists of a multi-pixel silicon $p-i-n$ -diode array, custom readout electronics, two superconducting solenoid magnets (see section 5.4.1), an ultra high-vacuum system, a high-vacuum system, calibration and monitoring devices, a scintillating veto, and a custom data-acquisition system. It is designed to detect the low-energy β -electrons selected by the KATRIN main spectrometer.

6.1 Detector principle and basic requirements

The main objective of the FPD system is to detect β -electrons transmitted by the main spectrometer inside the nominal magnetic flux tube of 134 T cm^2 . This requires two superconducting magnets to adiabatically guide the β -electrons from the spectrometer to the detector wafer. The β -electrons are accelerated by a Post Acceleration Electrode (PAE) at a typical voltage of 10 kV prior to reaching the wafer in order to reduce the backscattering probability and to shift the signal peak into a region of lower intrinsic background. The β -electrons are detected with a monolithic 148 pixel $p-i-n$ -diode array on a single silicon wafer. Each pixel has an area of 44 mm^2 and a design capacitance of 8.2 pF. Since the FPD system beam pipe couples to the main spectrometer, it must be maintained at a pressure on the order of 1×10^{-9} mbar or below.

⁴⁴Light Hammer MK6, manufactured by Heraeus Noblelight, https://www.heraeus.com/de/hng/home_hng/home_noblelight.html.

6.2 Focal plane detector system overview

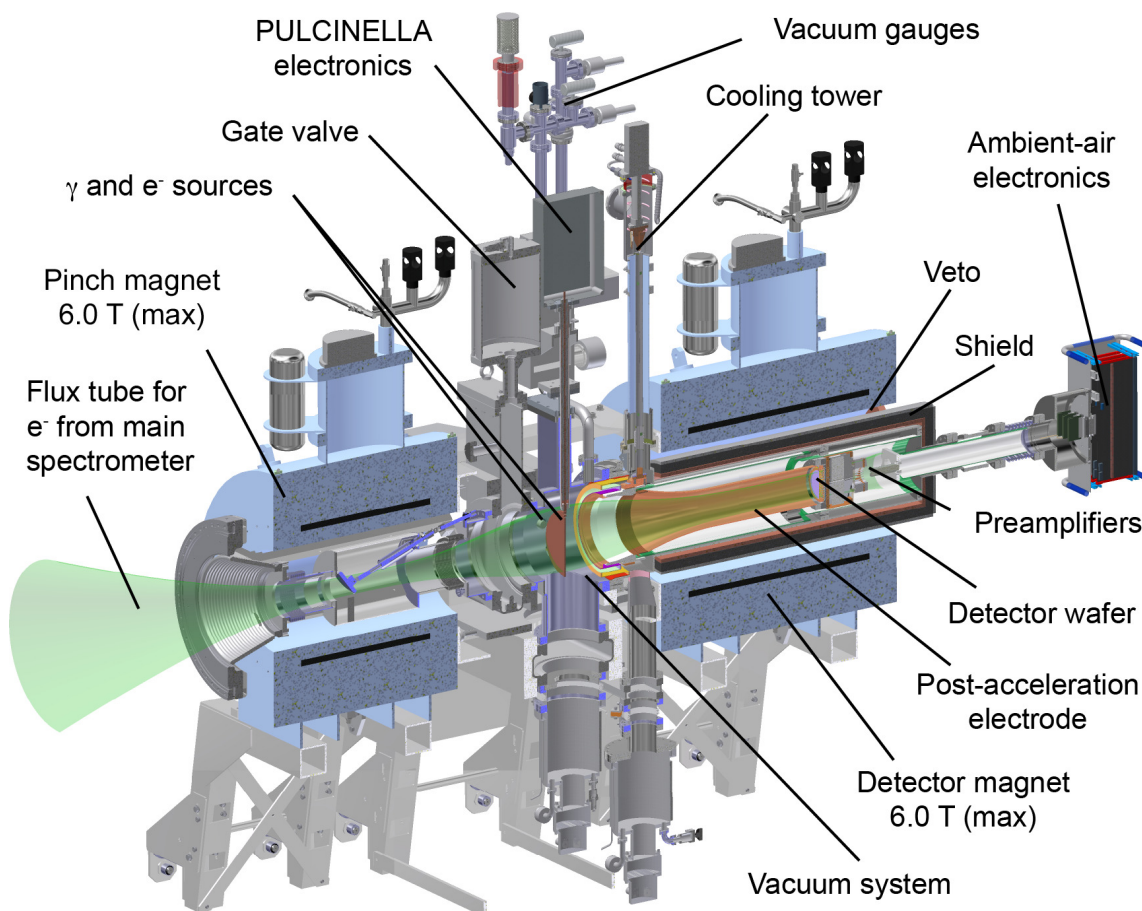


Figure 40. The primary components of the FPD system. The main spectrometer is located to the left side of the figure. This figure is adapted from [57].

An overview of the detector system is provided in figure 40. β -electrons transmitted by the main spectrometer are adiabatically guided through the bore of the pinch magnet and past a gate valve that separates the main spectrometer vacuum from the FPD system vacuum. The β -electrons strike the multi-pixel silicon *p-i-n*-detector (see section 6.3) located inside the bore of the detector magnet. The signal of the β -electrons is processed by custom readout electronics and DAQ system (see section 6.4). An electron source and a γ -emitter, located between the two magnets, serve as calibration sources (see section 6.5). A shield and a veto system (see section 6.6) are installed inside the bore of the detector magnet, reducing backgrounds in the detector.

6.3 Focal plane detector

The central piece of the detector system is a monolithic 148-pixel *p-i-n*-diode array on a single silicon wafer with a thickness of 503 μm , a diameter of 125 mm, and a specified dead layer thickness of 100 nm. It has a sensitive area of 90 mm in diameter which is segmented in pixels of equal area as shown in figure 41. The wafer is operated at a bias voltage of 120 V and is mounted on

a feedthrough flange [93]. The electrical connection with each pixel is made by a spring-loaded Interconnect Devices pogo pin.

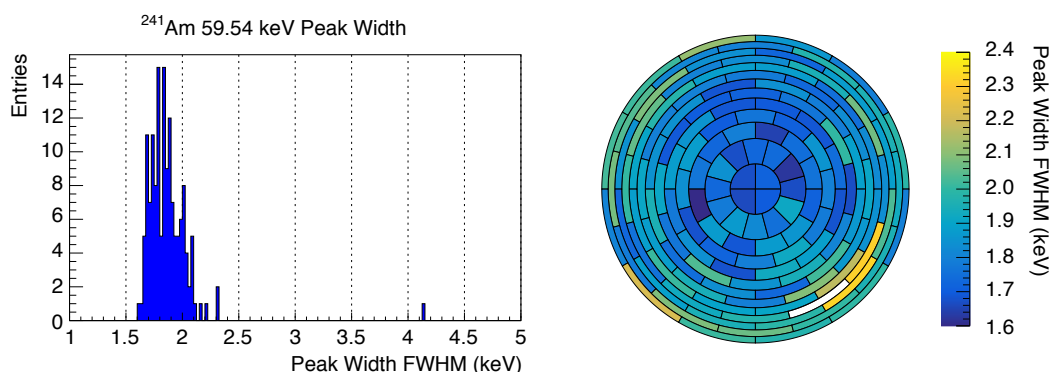


Figure 41. Energy resolution of the FPD system with the wafer installed in July 2018. The resolution is determined from the full width at half maximum (FWHM) of the 59.54 keV line of the ^{241}Am calibration source. The mean value of the distribution is 1.85 keV, the sigma value is 0.13 keV. One of the pixels has a much worse energy resolution of about 4.1 keV compared to the other pixels. This pixel, marked in white in the right plot, is typically excluded for analysis.

Three different wafers were installed at the detector system over the course of the KATRIN commissioning measurements. Two pixels of the initially installed wafer could not be used for data taking due to an electrical short between them. This wafer was replaced in May 2014. The replacement wafer was damaged presumably by ion bombardment during a discharge of the Penning trap located between the PS and MS (see section 5.5.2). The damaged wafer was replaced by another wafer in July 2018. The performance of this wafer with regard to energy resolution is shown in figure 41. Typically not all pixels are used for the neutrino mass measurement campaigns. The exact pixel selection varies between measurement campaigns and depends on pixel characteristics such as noise and alignment between WGTS and FPD.

6.4 Readout electronics and data acquisition

The KATRIN DAQ system needs to cover a wide range of event rates, from single-channel rates of order 1 cps to 100 kcps, and order 10 cps to above 1 Mcps total rate over the whole detector [1]. To meet these requirements, a modular, programmable custom DAQ system for multi-channel systems up to nearly 500 channels has been developed. The basic design has been used for the commissioning of the KATRIN FPD system and is described in [57]. Since then, its performance for the highest rates has been optimized. The signal chain consists of analog filters, digitization, digital signal processing, readout by a Linux PC and management, monitoring, and control with the ORCA software [94]. The development of the KATRIN DAQ system has benefited from the electronics being programmable. Recently for the highest event rates of about 100 kcps per channel, the DAQ layout has been redesigned once again. The embedded Linux readout PC has been replaced by a PCI to PCI Express (PCIe) bridge and an external readout system. The modernized PCIe link is able to transfer up to 250 MB/s and thus exceeds the maximal data rate of the backplane in the order of 160 MB/s. In order to utilize the improved link, the data from the digitizer cards are transferred to the

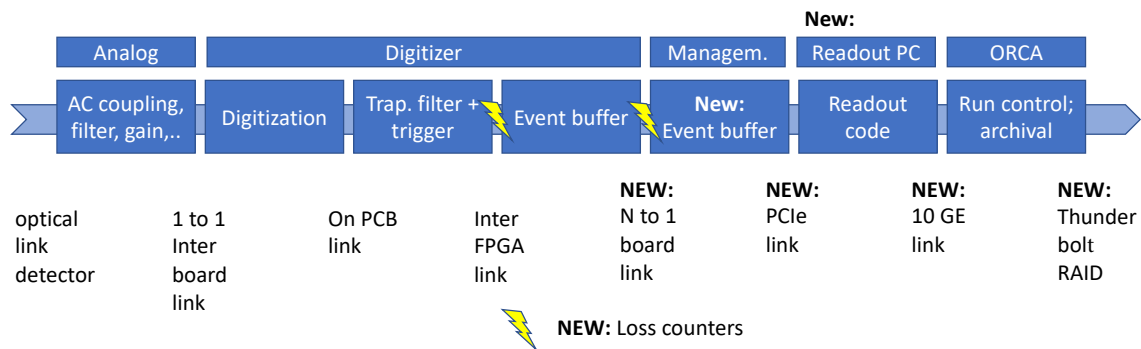


Figure 42. Improved signal chain for DAQ rates of several Mcps. From left to right the hardware components (top) are listed with their functional blocks (middle). At the bottom is the description of the link connecting the blocks.

central management card and shipped in larger blocks of up to 32 kB of event data. For this purpose, we were able to make use of an unused peer-to-peer connection between the digitizer cards and the central management card to collect event data. Only the transfer of large enough blocks ensures a reasonable data transfer rate. In event-by-event readout mode, a maximal data rate of 125 MB/s is achieved with the new readout concept. With an event size of 24 Bytes in event-by-event mode, a total event rate of about 5 Mcps can be reached. In order to detect an overflow of the event buffers in the DAQ electronics at the highest rates, event loss counters have been added (see figure 42).

Finally, the link between the readout PC and ORCA has been upgraded to 10 Gbit Ethernet. The complete readout software has been designed in ways that no bottlenecks occur during the whole readout chain. The readout rate is purely defined by the performance of the DAQ electronics and thus the whole DAQ system runs very stably.

6.4.1 Digital filters

Charge deposited in the wafer pixels is first processed by a charge-integrating preamplifier. The output of the preamplifier to a typical incident electron with 28 keV energy has a step-like shape with a rise-time of ~100 ns and a long discharging time of 1 ms. The trace is digitized at 20 MHz and then processed by a chain of trapezoidal filters [95, 96] for triggering and energy estimation (figure 43).

The trapezoidal filter is a digital filter that converts the step shape input into a trapezoidal shape output. The FPGA implements the filter as an infinite impulse response filter defined as

$$y_i = y_{i-1} + (x_i - x_{i-L}) - (x_{i-(L+G)} - x_{i-(2L+G)}) \quad (6.1)$$

where x_i and y_i are the i -th sample values of the input and output, respectively, and L and G are adjustable parameters called the shaping length and gap length. The filter can be equivalently described by a finite impulse response filter, providing a better picture for these parameters:

$$y_i = \sum_{j=1}^L x_{i+j-L} - \sum_{j=1}^L x_{i+j-(2L+G)} \quad (6.2)$$

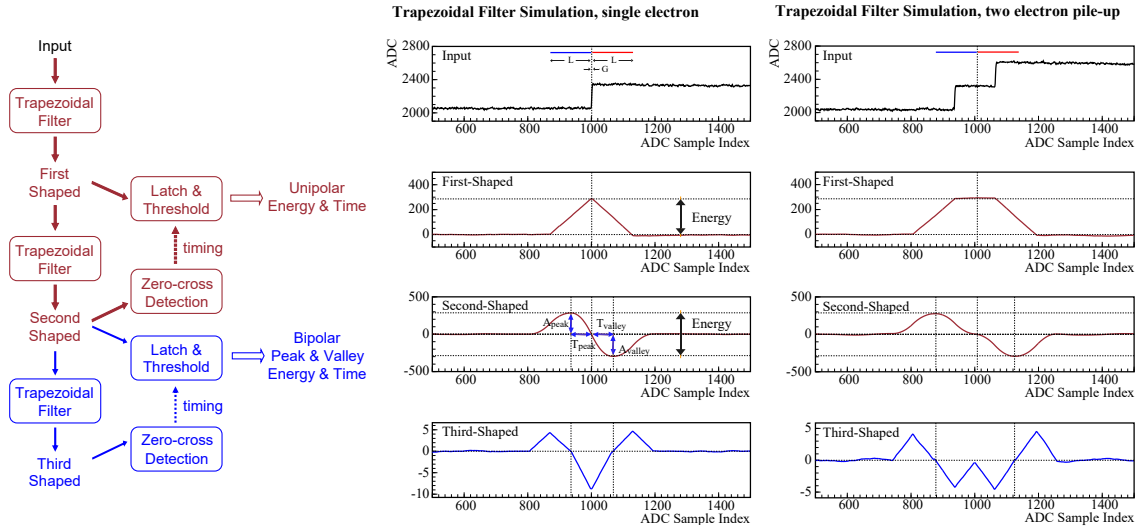


Figure 43. Outline of the digital filters (left) and simulation of the filter behavior, for a single-electron event (middle) and two-electron pile-up event (right). In the outline, the components shown in blue indicate the extension to the filter to accommodate higher data taking rates. The filter latencies are subtracted in the simulation traces for illustration purposes.

here the filter consists of two integration windows of length L separated by G (in figure 43 indicated by the red and blue bars), and the output is the difference between the two integrations. For a step-like input, the height of the output trapezoid scales to the height of the input step, providing an energy estimation, if the rise-time is fully contained within the gap length. For a time-scale longer than the shaping length, the filter can be viewed as a differentiator, to be used for peak detection.

The system was originally designed with two stages of the trapezoidal filters, where the first filter provides energy estimation and the second filter determines the timing. The shaping length and the gap length are programmable, and for the first filter, the shaping length is adjusted to optimize the energy resolution of the wafers, typically ranging between $1.6 \mu\text{s}$ and $6.4 \mu\text{s}$, and the gap length is chosen at 200 ns to fully contain the rise time. The second filter reads the output of the first filter and detects the peak position by the positive-to-negative zero-crossing of its output. The shaping length of the second filter is set to be half the length of the first filter, in order to make it work as a differentiator for this time scale. The gap length of the second filter is set to zero.

On every zero-crossing, after adjusting the filter latency, the output of the first filter is compared with a programmable threshold, and if it is above the threshold, a trigger is issued. On every trigger, an event data packet is created with the height of the first filter output as its energy and the time of the second filter zero-crossing as its time.

This two stage system provides optimal energy resolution at low rates. At high rates, where the time between events becomes shorter than the preamplifier discharging time constant, the discharging tail from a previous electron affects the energy estimation of the following electron (tail pile-up). If two electrons arrive within the shaping length, only one trigger will be issued for two incident electrons (peak pile-up), causing inaccurate electron counting; in particular, if two electrons with the same energy arrive in the same interval as the shaping length, the generated events will just look like a single electron event of the one-electron energy, instead of sum of the two

electrons, providing no way to discriminate between single and double occupancy events (figure 43, middle and right). More generally, the recorded energy of two-electron peak pile-up events vary depending on the time between the two electrons.

In order to mitigate the tail pile-up effects and to detect the peak pile-up events, while still keeping the optimal energy resolution of the two-stage system, an extension was made to extract more information from the shapes. The output of the second filter, originally used for triggering via zero-cross detection, has a peak and valley associated with each incident step, where the amplitudes are proportional to the input step height, providing another energy estimation. Unlike the trapezoidal shape from the first filter, this peak-and-valley shape is bipolar and therefore the tail pile-up effects are largely suppressed (mathematically, the first order of the exponential discharging curve is eliminated by the differentiation), at the cost of increased noise. The time from the peak to the valley has information about the rise-time within the shaping window, providing a way to discriminate peak pile-up events.

To record these information in the output of the second filter, another trapezoidal filter, with a shaping length 50 ns and zero gap length was appended to the two stage chain. On zero-crossing of the third filter, the amplitudes and timestamps of the peak and valley, A_{peak} , T_{peak} , A_{valley} , and T_{valley} , are recorded for each trigger, in addition to the (unipolar-shaping) energy and time-of-event from the two-stage part. Simulation studies predict that this upgrade will extend our rate limit from ~ 1 kcps/pixel to ~ 100 kcps/pixel for 28.6 keV mono-energetic electrons from the e-gun operating in continuous emission mode. The upgrade has been successfully used for the e-gun operating in pulse mode with varying multiplicities per pulse and varying spread in arrival times; this resulted in challenging peak pile-up situations at ~ 10 kcps/pixel, but use of an algorithm, utilizing the bipolar shaper information, accurate counting with less than 0.1% correction errors was achieved.

6.4.2 Run modes and performance

The DAQ system provides several data acquisition modes in order to cover a wide range of event rates. Table 7 summarizes the parameters recorded in the available run modes. Trace and energy modes are event-by-event or so-called list modes, while histogram and counting modes calculate integral parameters on-the-fly in the electronics and ship data every 1 s. The trace mode is limited to a total event rate of about 10 kcps. The list mode reaches the highest data rates of 125 MB/s and is able to handle a total event rate up to about 5 Mcps. The histogram and count rate modes are only limited by the digital filter parameters. Still in these modes, the rates should be limited to about 100 kcps per channel in order to get precise estimates for the particle energies.

A large number of events within a short time interval might cause overflows in internal buffers in the DAQ chain. In order to detect and correct the recorded values, loss counters have been implemented in all data transfer stages in the electronics.

The DAQ system records all events in a round-robin fashion from all the digitizer boards. Thus, the exact time order is not guaranteed within the electronics when the events are acquired in the list mode. In order to ensure the fastest readout possible, ORCA records the data as provided by the electronics. Afterward, an independent process checks data quality, sorts all events by time order, and stores the data in the KATRIN ROOT format for further analysis (see section 8.4).

Table 7. Data-record characteristics for each DAQ mode. Trace and energy mode provide event-by-event data. Some of the information is not processed in the DAQ electronics but can be calculated from the data via software.

DAQ mode	Trace	Energy	Histogram	Counting
Time stamp, sec	yes	yes	yes	yes
Time stamp, subsec	yes	yes	no	no
Channel map	yes	yes	yes	yes
Event identifier	yes	yes	no	no
Trigger rate	yes	yes	yes	yes
ADC trace	yes	no	no	no
Energy per event	yes	yes	no	no
Energy histogram	software	software	yes	no
Bipolar energy	software	yes	no	no
Pileup parameter	software	yes	no	no
Record size per event	4124 B/event	24 B/event	—	—
Record size per second	—	—	4144 B/channel	192 B/card
Data rate @ 1 kHz	3.9 MB/s	23.4 kB/s	599 kB/s	1.3 kB/s
Data rate @ 1 MHz	—	22 MB/s	599 kB/s	1.3 kB/s
Max. acq. rate	10^4 events/s	5×10^6 events/s	limited by filter	

6.4.3 Grid synchronization signal

The [KATRIN](#) experiment, which uses an integrating measurement method, must know its voltages to a precision ≤ 60 mV (at 18.6 keV). One hurdle to getting these very precise voltage values (on the order of 10 ppm) is the voltage ripples within the mains power source. This necessitates the design of a grid synchronization box, which keeps track of the phase within the 50 Hz frequency of the mains power signal during a data event trigger [97].

The box takes the mains power as an input, and outputs a synchronization pulse at the start of each new mains power period. When used as a DAQ trigger, this output signal allows [KATRIN](#) to analyze data at the same phase within the mains voltage ripple. The output signal is emitted as an optical pulse to take advantage of the same data acquisition chain as the other detector readout channels.

Figure 44 demonstrates that the mains frequency remains quite close to the expected 50 Hz (left plot), with a fluctuation on the 0.01 % level and negligible drift over long periods of time (right plot). These fluctuations and drifts are within acceptable limits for the experiment. The box’s timing resolution is approximately 50 μ s, and the 100 consecutive 4-hour long runs used in this analysis came from a long-term background measurement campaign between December 2017 and January 2018.

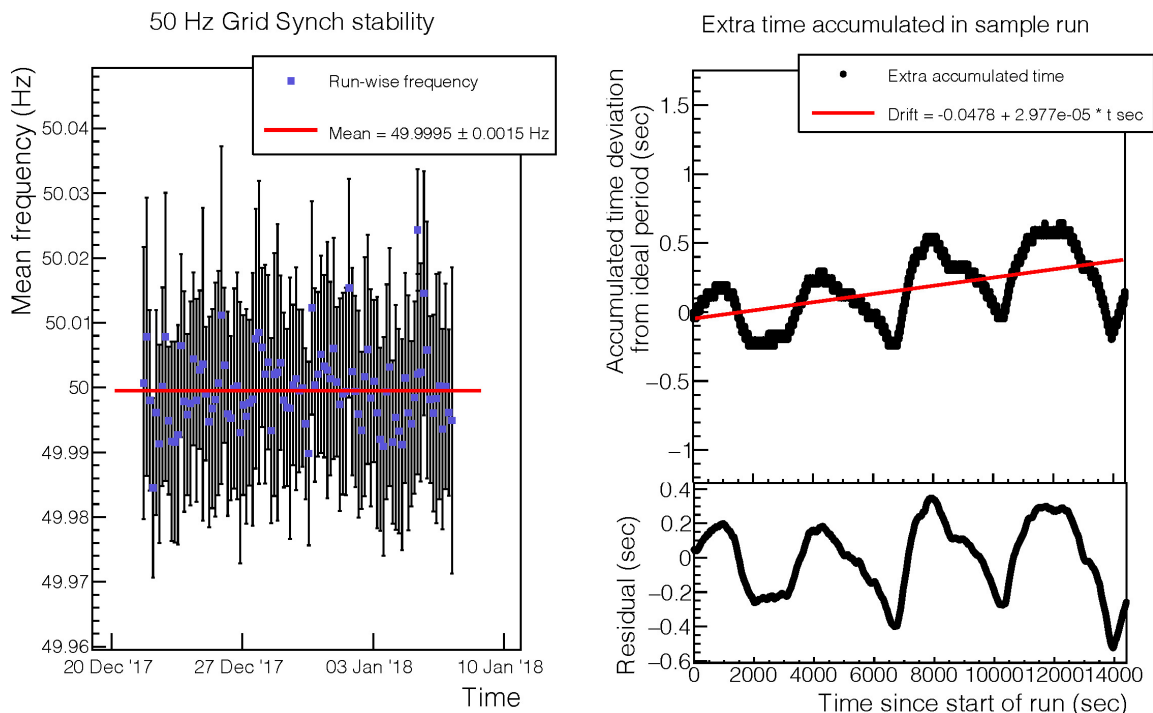


Figure 44. Left: frequency stability of the mains power over the course of 100 runs, fit with a zeroth-order polynomial. Right: a more detailed view of a single sample run, showing fluctuations and drifts in mains frequency. The first-order polynomial fit’s extracted slope gives an estimate of the drift at the run-level. The periodic nature is expected: it’s a direct result of the power company compensating to keep the signal it delivers at 50 Hz.

6.5 Calibration and post-acceleration system

Two different calibration sources are used at the detector system. An encapsulated ^{241}Am γ -source with an activity of about 18 MBq can be moved into the detector line of sight without breaking the vacuum. This source provides an absolute energy-scale calibration independent of dead layer effects.

A disk made of titanium allows the creation of electrons via the photoelectric effect by illuminating the disk with ultraviolet light from an array of six UV LEDs (wavelength 255 nm). The photoelectrons are adiabatically guided by the magnetic field of the detector system to the wafer and their energy can be adjusted from 0 keV to 25 keV by applying a negative voltage to the titanium disk. The disk can be moved into the flux tube without breaking the vacuum.

The [Precision Ultra-Low Current Integrating Normalization Electrometer for Low-Level Analysis \(PULCINELLA\)](#) [57] is connected to the titanium disk and is designed to measure picoamp-scale currents with 3% accuracy. [PULCINELLA](#) can be used to determine the absolute efficiency of the detector by comparing the measured photocurrent leaving the disk with the recorded event rate. [PULCINELLA](#) was used as a Faraday cup for measuring electron or ion currents from different sources further upstream in the [KATRIN](#) beamline during the [KATRIN](#) commissioning measurements.

The detector wafer and electronics are mounted at the downstream end of a trumpet-shaped, copper [PAE](#). The [PAE](#) is operated at a voltage of 10 kV and accelerates the β -electrons in order to

reduce the backscattering probability and to shift the signal peak into a region of lower intrinsic background. The PAE separates the vacuum of the KATRIN beamline from an intermediate vacuum system which houses the detector electronics.

6.6 Passive shield and veto system

The FPD system is equipped with a passive shield which consists of two nested cylindrical shells: a 3 cm thickness of lead that reduces the γ -background and an inner 1.27 cm thickness of oxygen-free, high-conductivity copper to block lead X-rays. The passive shield is surrounded by a plastic scintillator based veto system for muon tagging.

The veto system described in [57] suffered from a poor signal-to-noise ratio in spite of active cooling. This resulted in a large data set and inconvenient complexity during normal operation. This veto system has been upgraded for higher detection efficiency, better stability, reduced data size, improved operability, and better accessibility for maintenance and common repairs.

The new veto system was designed for higher light output. The scintillating panel thickness is doubled to 20 mm. Silicon Photomultipliers (SiPM)⁴⁵ are directly mounted to the Wave-Length Shifting (WLS) fibers using adapters developed by the T2K experiment [98]. The SiPM are mounted in a housing box without active cooling. The temperature of each box is monitored by a RTD-100 sensor. The new system consists of eight staves and two end-cap scintillating panels⁴⁶ Each panel is wrapped with a high-efficiency reflector⁴⁷ For each panel, four 1 mm diameter WLS fibers⁴⁸ are installed in U-shaped grooves. The fibers fit loosely in the grooves allowing them to be replaced in the event of damage.

Custom electronics modules were developed to supply SiPM bias voltages and to amplify SiPM signals before the First Level Trigger (FLT) modules in the detector readout system. All the potentiometers are replaced with digital-to-analog converters which can be configured through a Universal Serial Bus (USB) interface. The USB interface also provides access to the temperature readings and output voltage readback. A Single Board Computer (SBC) which is connected to the USB interface and located outside the strong magnetic field region, provides monitoring and controls over Hypertext Transfer Protocol (HTTP) with RESTful API together with web-browser GUI. The SBC also implements calibration sequence logic and bias-voltage control based on the temperature reading.

The new veto system produces ~ 50 photoelectrons(p.e.)/SiPM per cosmic-ray muon (peak value) even with the loose grooves, which is to be compared with 3 p.e./SiPM to 5 p.e./SiPM per muon of the old system. This high light output allows us to set the detection threshold high at around 10 p.e. for a $>99.7\%$ per-panel muon detection efficiency. The high detection efficiency provides stability against gain fluctuation, typically caused by temperature drift. At this threshold, the contamination of the muon signal by SiPM thermal events is far below the percent level, even without cooling. The coincidence logic used in the old veto is no longer necessary. In the nominal configuration, each staff panel observes ~ 20 cps/SiPM muon events and 20 cps/SiPM environmental gamma events, where the rates depend on geometry, with negligible contribution

⁴⁵Hamamatsu Photonics, S13081-050CS, <https://www.hamamatsu.com/us/en/index.html>.

⁴⁶Saint-Gobain Crystals, BC-408, <https://www.crystals.saint-gobain.com>.

⁴⁷3M, Vikuiti Enhanced Specular Reflector, <https://www.3m.com>.

⁴⁸Kuraray, Y-11(200)M, <http://kuraraypsf.jp/psf/ws.html>.

from SiPM thermal events. The environmental gamma events can be removed in the offline analysis by requiring inter-panel coincidence.

7 Calibration and monitoring systems

7.1 Overview

In the KATRIN experiment, numerous interplaying parameters and processes contribute to the overall performance of the experiment, which needs to operate in a reliable, stable and reproducible way over a measurement period of several years. Thus, it is paramount to (i) precisely monitor key parameters and processes that affect the determination of the effective electron antineutrino mass; and to (ii) calibrate both these key parameters and the overall system behavior. The crucial monitoring and calibration steps in the chain of processes, from the generation of β -electrons through transporting them to the MS for energy analysis, are discussed in detail here, highlighting the performance of the monitoring and calibration systems during the early KATRIN commissioning campaigns.

The two key parameters relevant to the generation of β -electrons in the WGTS are the composition of the injected tritium gas and the column density. The injected tritium gas is not pure T₂ as it contains dynamically varying impurities of DT and HT, and is monitored by LARA (section 7.2). The column density, which must be tracked because the energy of the electrons exiting the source is affected due to scattering with gas molecules inside the source, is monitored by multiple systems: by BIXS for β -electrons moving upstream and by the FBM (section 7.3) for β -electrons moving downstream. In tritium β -decay, a range of positively and negatively charged atomic and molecular ions are generated, which would adversely affect the measurement background if they were to reach the MS. The methodologies for detecting, blocking and removing these ions are described in section 7.4.

The energy analysis of the β -electrons is performed in the MS, where the performance and energy resolution critically depend on precise knowledge of the magnetic and electric fields inside it. The necessary input data for electromagnetic calculations are provided by two magnetic sensor networks: a spatially fixed and a mobile one, both of which are described in section 7.5. An ultra-stable high voltage reference and divider setup, together with ⁸³Rb/^{83m}Kr electron energy data from a galvanically-connected MoS (section 7.6) allow a high accuracy determination of the retarding potential of the MAC-E filter and a continuous check of its stability at the ppm level.

Besides these monitoring tasks, an additional important issue is the calibration of the MS electron energy scale. The zero-point energy and the absolute energy scale are not fixed *a priori*, but instead depend on a range of intrinsic and extrinsic quantities. Specifically, an e-gun with well-defined electron beam characteristics (point-like source, narrow energy and tunable angular distributions) is deployed to investigate system alignment and a range of effects influencing β -electron trajectories (section 7.7.1). Two ⁸³Rb/^{83m}Kr sources (one condensed, one gaseous) are used for energy calibration of the KATRIN system and the study of plasma effects in the WGTS, using their (quasi) mono-energetic conversion electrons (section 7.7.2 and section 7.7.3).

7.2 Gas composition monitoring

The determination of the neutrino mass is associated with the measurement of β -electrons from the decay of a tritium atom within the WGTS. The caveat here is that tritium is predominantly present

in diatomic molecular form. The tritium gas in the **WGTS** is expected to contain some impurities. Though these might only be minute, they can become noticeable in high-precision measurements such as **KATRIN**. Sources of impurities include deuterium, which is always encountered in the reservoir gas, and hydrogen, which can enter the main gas stream via outgassing from the vessels' steel walls and connecting tubing, as well as other tritiated molecules, further discussed in this section. Additionally, by incorporating a permeator in the gas circulation loop, all six possible hydrogen isotopologues become present in the circulating gas. It is therefore paramount that the gas composition be monitored at all times.

7.2.1 Measurement principle and requirements

The fluctuations of the tritium gas composition during a spectral scan will manifest themselves as non-negligible effects on the **KATRIN** neutrino mass analysis. Accurate knowledge of the relative concentration of the tritiated isotopologues T_2 , DT and HT is of high importance because they appear as a weight in the sum of the individual β -spectrum of the three isotopologues, which are slightly different due to their respective **Final State Distribution (FSD)**. Therefore, the development of precise methods to monitor multi-component gas composition simultaneously and in real-time is crucial.

LARA was selected as the monitoring method of choice, as it is a non-invasive and fast in-line measurement technique. It also provides quantitative concentration data simultaneously for all gas constituents.

Three **Laser Raman Spectroscopy (LARA)**-measured quantities are required for the neutrino mass analysis and for feedback to the **KATRIN** tritium loop operation: the hydrogen isotopologue concentrations, c_i ; the tritium purity, ϵ_T (equation (2.1)); and the HT/DT ratio, κ (equation (2.2)). The first is predominantly utilized in **KATRIN** loop operation control, while the latter two are required during the data analysis phase.

7.2.2 Laser Raman spectroscopy system

The implementation of the **LARA** monitoring system is shown schematically in figure 45. The setup closely follows the proposal in the original **TDR** [1]. Additional details of the system can be found in [99]. Other technical and procedural improvements over the years since these two publications are summarized below.

A continuous wave green ($\lambda_L = 532$ nm) laser,⁴⁹ operated at an output power of $P_L = 3$ W, is utilized. The laser light is guided, polarized and focussed into a Raman gas cell. In order to increase the Raman light intensity, the laser beam is back-reflected through the cell, effectively doubling the Raman response yield. Note that the back-reflected laser light is directed out of the beam axis via a Faraday isolator for laser power monitoring and for preventing potential laser beam walk during long-term operation.

The Raman gas cell itself is a tritium-compatible design, as described in [100]. The cell is in-line mounted in the Inner Loop between the two main tritium circulation buffer vessels (figure 12). As the cell is situated within the secondary glove box enclosure, access to laser radiation and Raman light is through anti-reflection coated windows in a bespoke appendix extension of the glove box. The Raman cell can be temporarily exchanged with a calibration cell,

⁴⁹Laser Quantum, *Finesse* DPSS Nd:YVO₄, <https://www.laserquantum.com/products/detail.cfm?id=33>.

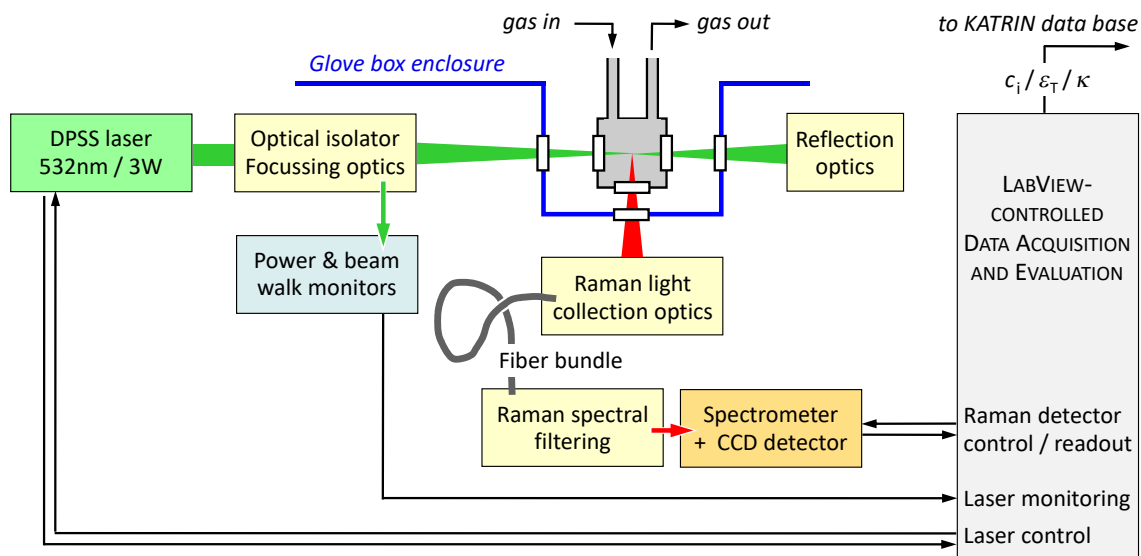


Figure 45. Concept of the **LARA** system for real-time, in-line monitoring of the tritium gas composition.

which incorporates a Raman intensity standard⁵⁰ for *in situ* absolute light intensity calibration. For a detailed description, refer to [101, 102].

The Raman light from the (nearly cylindrical) excitation volume is collected at right angle to the laser excitation axis (90° scattering geometry) and focussed onto a “slit-to-slit” optical fiber bundle. Before entering the spectrometer⁵¹ for Raman spectral analysis, the radiation is cleaned by removing any residual laser light via a long-pass filter.⁵² The spectrometer range and resolution are fixed such that all six hydrogen isotopologues can be resolved and recorded simultaneously by the high-sensitivity CCD-array detector,⁵³ as demonstrated in [99].

System control, operation parameter recording, Raman spectrum acquisition, and real-time data treatment and analysis are integrated in a dedicated LabVIEW program [103]. The analysis outputs for c_i , ϵ_T , and κ are extracted from the spectra and transmitted to the **KATRIN** slow control database.

The Raman spectral data is accumulated for 20 s to 30 s. Selected sample data from a test setup (“LOOPINO”) of the actual tritium loop [104] operated between 2010-2013 are shown in figure 46. This demonstrates the **LARA** system performance over extended periods of time, when operating under **KATRIN** run conditions. An extended analysis of the **LARA** system’s monitoring capabilities over multiple measurement periods has recently been published [105].

The concentration data shown in the figure clearly reveals the reliability and reproducibility of the **LARA** monitoring system, from the recorded raw data, through the customized automated analysis chain, to the concentration output. In the figure 46 inset, a histogram of the residuals (relative to the running mean) for the T_2 concentration highlights the excellent reliability of the

⁵⁰NIST, SRM 2242, https://www-s.nist.gov/m-srmors/view_detail.cfm?srm=2242.

⁵¹Princeton Instruments, Acton HTS, https://www.princetoninstruments.com/wp-content/uploads/2020/08/SpectraPro-HRS_Datasheet_07102020.pdf.

⁵²Semrock, *RazorEdge* 532 nm, <https://www.semrock.com/FilterDetails.aspx?id=LP03-532RE-25>.

⁵³Princeton Instruments, *Pixis 2KB*, https://www.princetoninstruments.com/wp-content/uploads/2020/04/PIXIS_2K_datasheet.pdf.

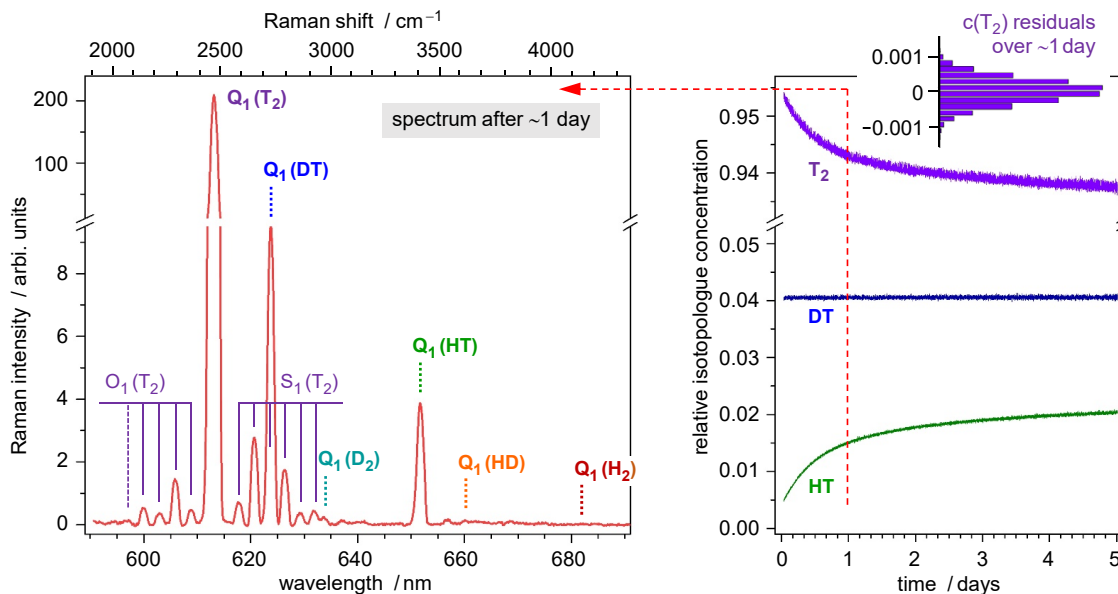


Figure 46. Representative LARA data, recorded continuously during the May/June 2013 LOOPINO test runs. **Left:** a Raman spectrum with annotated isotopologue branches. **Right:** temporal variation of the relative concentrations c_{XT} for the three tritium isotopologues T₂, DT and HT. **Inset:** distribution of the concentration residuals for T₂, over the period of ≈ 1 day, relative to the running mean.

gas circulation system and its monitoring. The histogram data covers a period of about one day, corresponding to around 3000 individual measurements, and yields a measurement precision of $\sigma \approx 3 \times 10^{-4}$. This is well within the KATRIN requirements of $\sigma = 1 \times 10^{-3}$. The concentration data c_i and the derived quantities ϵ_T and κ are calculated from the Q-branch Raman intensities, measured on an individual spectra basis. Note that the relative concentrations change over time (towards equilibrium); this behavior can be attributed to expected contamination by hydrogen exchange reactions with the stainless steel vessel walls and the loop tubing.

7.2.3 Performance of the Raman setup

Since its first implementation [1], the LARA monitoring system has been continuously tested and improved through a number of measurement campaigns. These include the Test of Inner Loop (TILO) test run using only non-tritium isotopologues [106], and the LOOPINO tritium test runs in 2010 [104] and 2013 (presented here).

The first LARA setup had provided satisfactory results as early as 2005, but improvements since then showed that the KATRIN requirements could be met and in some cases exceeded. These improvements include: reducing the acquisition time by nearly two orders of magnitude, down to 20 s; upgrading components (excitation laser and CCD light detector); integrating a double-pass configuration, nearly doubling the Raman light intensity; implementing a fully quantitative intensity calibration [101]; and developing a custom data acquisition and evaluation software package [103].

The KATRIN requirements with respect to tritium gas composition monitoring, as well as the actual performance data of the LARA system, are shown in table 8.

Table 8. **KATRIN** requirements and achieved experimental realization of the tritium gas composition. The “TDR 2004” and “Revised 2015” requirements are found in [1] and [28], respectively. The achievements are derived from **LARA** data obtained between 2013 and 2015 in the LOOPINO configuration [104] and the systematic investigation of the calibration uncertainty [102]. Precision and trueness are stated relative to their value ($|\Delta X/X|$).

	Requirements		Achievements		
	TDR 2004	Revised 2015	since 2013		
ϵ_T	>0.95	>0.95	>0.93		
Precision (10^{-3})	2	1	<0.01		
Trueness (10^{-2})	—	3	0.18		
κ	—	0.1	<0.1		
Precision (10^{-3})	—	—	0.02		
Trueness (10^{-2})	—	10	6.0		
			T_2	DT	HT
c_i	—	—	>0.93	~0.04	<0.02
Precision (10^{-3})	—	—	0.32	4.81	7.79
Trueness (10^{-2})	—	—	0.4	6.4	6.1

Overall, the **LARA** monitoring system is capable of providing the required information on c_i , ϵ_T and κ every 30 s. The tabulated example demonstrates that the requirements are met. Further improvement on trueness values are expected once new data for the theoretical Raman transition matrix elements which incorporate proper error estimates are available.

7.3 Activity monitoring

The neutrino mass measurement depends on the accurate description of inelastic scattering of the electrons with the gas molecules inside the source. This description is strongly influenced by two key experimental parameters, column density and tritium purity.

The column density, ρd , represents the number of molecules within the flux tube volume, and can be obtained by combining an *in situ* measurement of the tritium purity with an activity (decay rate) measurement. The count rate of β -electrons from the source, S , as measured by activity detectors scales as

$$S = C \cdot \epsilon_T \cdot \rho d \quad (7.1)$$

where C is a proportionality constant encompassing experimental properties such as detector efficiency and acceptance. Small fluctuations of the source parameters lead to changes in the shape of the differential β -spectrum. Fluctuations in the column density are expected to be in the 0.1 % range. Given the targeted sensitivity for the neutrino mass measurement, column density and tritium purity should not exceed an uncertainty of $\delta m_\nu^2 = 7.5 \times 10^{-3} \text{ eV}^2$ in the neutrino mass analysis.

There are two activity monitoring systems in the **KATRIN** experiment which measure the count rate of β -electrons from the tritium decay in the **WGTS**. These monitoring systems provide

information on fluctuations in the **WGTS** activity on a timescale of minutes, and can be used in conjunction with the measured tritium purity to monitor the column density with 0.1 % precision.

One of these activity detectors, **BIXS**, uses X-ray detection to measure the current-induced bremsstrahlung of β -electrons hitting the **RW**. The other activity detector, the **FBM**, is a moveable detector which makes measurements of the relative electron flux downstream of the transport section.

7.3.1 BIXS monitor

The **BIXS** system [16] is part of the **Calibration and Monitoring System (CMS)**, and is used for continuous tritium activity monitoring of the **WGTS**. It consists of the **Re-condensing Superconducting Magnet (RSCM)**, the **RW** vessel with X-ray detectors, and the **RW**. A sectional drawing of the **RW** vessel with the detectors is shown in figure 47.

The β -electron flux coming from the **WGTS** is compressed by the **RSCM** to fit the **RW** vessel and the gold-coated **RW** surface. The outer diameter of the **RW** is 14.6 cm and the magnetic field strength at the **RW** position is approximately 1.6 T. Half of the produced β -electrons inside the **WGTS** are emitted in the upstream direction, and are directly guided to the **RW**. The other half is emitted in the downstream direction towards the spectrometer. The β -electrons with a kinetic energy less than the retarding potential are reflected back to the **RW**, either by the magnetic mirror effect or by the electrostatic potential of the spectrometers. The resulting total β -electron flux on the **RW** surface is approximately $1 \times 10^{11} \text{ e}^-/\text{s}$.

The X-ray radiation, generated during the absorption process of the β -electrons in the gold coating of the **RW**, is monitored by two **Silicon Drift Detectors (SDDs)**.⁵⁴ Each of these detectors has an active area of 92 mm^2 , with an energy resolution of 160 eV (FWHM) at 5.9 keV. A 250 μm -thick, 28 mm-diameter beryllium (Be) window is mounted in front of each **SDD** to prevent tritium contamination. On the **RW**-facing side, the Be windows are sputter-coated with 100 nm of gold to reduce tritium adsorption. Two digital pulse processors⁵⁵ are used for data acquisition. The intrinsic **BIXS** detector background of both **SDDs** is $<3.0 \text{ mcps}$, with a low-energy threshold of 800 eV.

In a recent commissioning experiment [108, 109], the **BIXS** system demonstrated the ability to monitor the activity of a gaseous tritium source at the 0.1 % level. During a tritium measurement campaign in March 2019, the **BIXS** system operated for the first time. A **BIXS** spectrum is shown in figure 48. The prominent fluorescence lines can be used for *in situ* energy calibration. For stability monitoring, the integral count rate is used. The combined count rate of both **BIXS** detector systems at full column density is approximately 11.3 kcps. This allows stability monitoring on the 0.1 % level in measurement cycles of duration 100 s.

7.3.2 Forward beam monitor

The **FBM** [16, 110–113] is used for monitoring the relative intensity of the electron flux. It is located in the transport section, mounted between the last two superconducting solenoids in **Pump Port 2 (PP2)** of the **CPS** (section 4.2). At this location inside the flux tube at the **CPS**, the β -electron flux density is approximately $10^6 / (\text{s mm}^2)$, and the magnetic field is approximately 0.84 T (at center).

⁵⁴KETEK, AXAS-M, <https://www.ketek.net/wp-content/uploads/2017/09/KETEK-AXAS-M-Product-Information.pdf>.

⁵⁵AMPTEK, DP5, <https://www.amptek.com/-/media/ametekamptek/documents/products/dp5.pdf?dmc=1&la=en&revision=030fc2ce-402d-4848-a12b-9a4f93e64af5>.

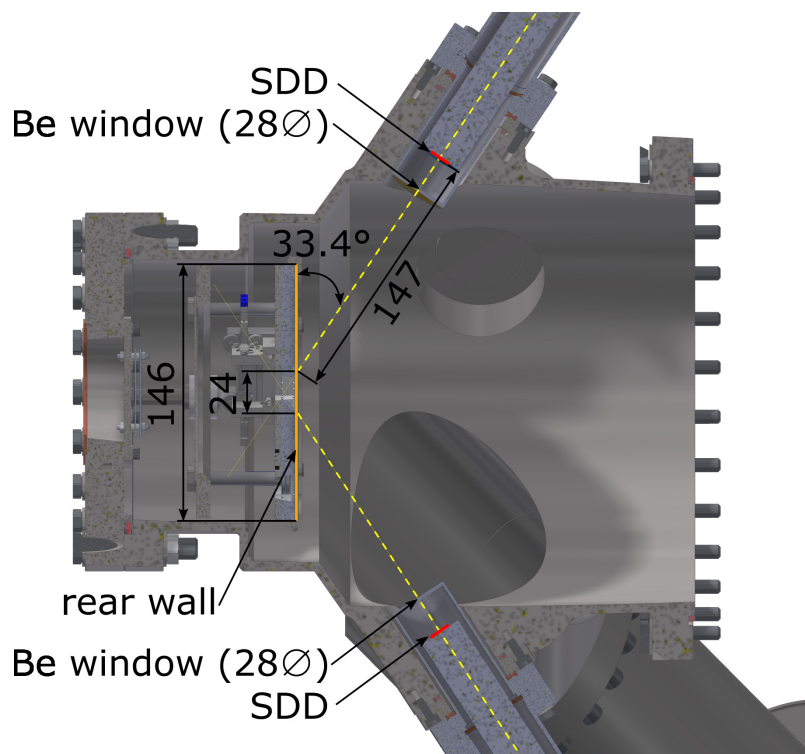


Figure 47. Sectional drawing of the RW vessel. The RW and the two SDDs are highlighted. Mechanical dimensions are given in mm and degrees.

A vacuum manipulator with a 2 m-long bellow enables the FBM detector board to be inserted directly into the flux tube through PP2 of the CPS. Two independent motion systems drive the FBM: the first system moves the detector-mounted end (“front end”) linearly along the (horizontal) x -direction and the second system performs rotational movement. The FBM can be moved throughout the cross section of the flux tube with a precision of better than 0.1 mm relative to its starting position. The FBM front end mechanics and the monitoring position are illustrated in figure 49.

The FBM detector board is equipped with two silicon p - i - n diodes: one of type S9055 and size 0.031 mm^2 ⁵⁶ for Channel 1, and one of type S5973 and size 0.12 mm^2 ⁵⁷ for Channel 2 [110]. Both these diode channels are read out by two data acquisition processors.^{58,59} The FBM can measure the β -electron flux with a precision of 0.1 % in less than 60 s. The detector board also includes a temperature gauge and a Hall sensor for additional monitoring of the flux tube properties. These measurement devices are read out continuously during neutrino mass measurements. During dedicated commissioning and calibration runs, the FBM can map out the entire cross section of the flux tube.

One such commissioning scan of the magnetic flux tube was performed in August 2018. This scan comprises 304 measurement locations within the flux tube in a grid pattern with 7.6 mm

⁵⁶Hamamatsu, S9055, https://www.hamamatsu.com/resources/pdf/ssd/s9055_series_kpin1065e.pdf.

⁵⁷Hamamatsu, S5973, https://www.hamamatsu.com/resources/pdf/ssd/s5971_etc_kpin1025e.pdf.

⁵⁸AMPTEK, PX5, <https://www.amptek.com/-/media/ametekomptek/documents/products/px5.pdf?dmc=1&la=en&revision=531ccb5b-9802-455e-8969-b5c88436e2b5>.

⁵⁹AMPTEK, DP5, <https://www.amptek.com/-/media/ametekomptek/documents/products/dp5.pdf?dmc=1&la=en&revision=030fc2ce-402d-4848-a12b-9a4f93e64af5>.

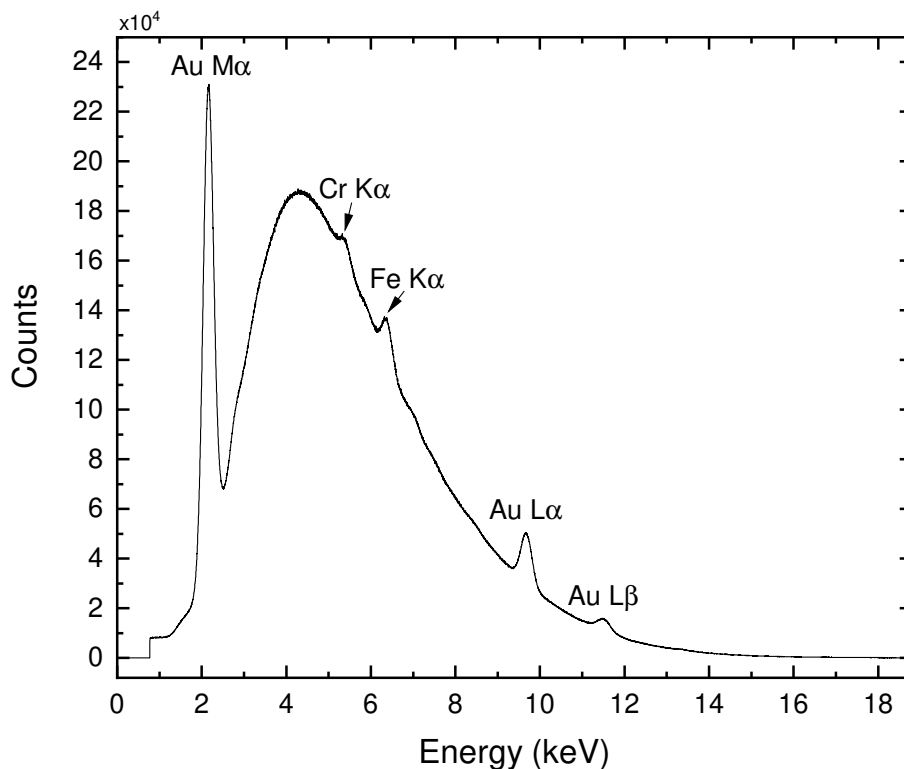


Figure 48. An example spectrum of the BIXS system. The continuous bremsstrahlung background is superimposed by fluorescence lines. Detectable fluorescence radiation is emitted by the gold coating on the RW and the dominant constituents of the stainless steel system, iron and chromium. For details about the notation and transition energies, see [107].

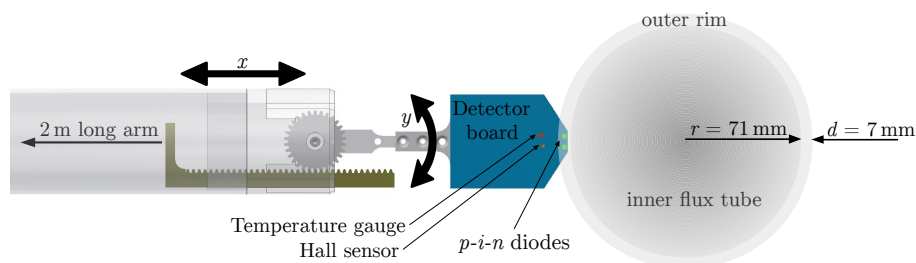


Figure 49. The FBM front end. When the FBM is in standard monitoring position during neutrino mass measurements, it is located in the outer rim of the flux tube where the source activity is continuously monitored without shadowing the FPD.

spacing. Magnetic field and temperature data were collected for 10 s at each measurement point. The resulting magnetic field strength, corrected by temperature dependency, is shown in figure 50. This measured magnetic field map agrees with results from simulations, and confirms that the β -electrons coming from the tritium source follow the magnetic flux tube, as expected.

The energy resolution of the *p-i-n* diodes was measured during FBM commissioning in April 2018. This was done using an ^{241}Am calibration source (see figure 51a). Using the known peak at

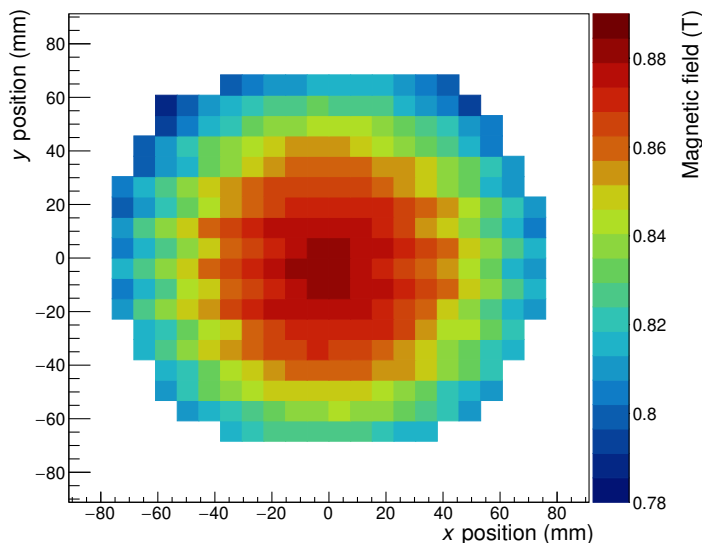


Figure 50. Cross section of the magnetic flux tube in CPS PP2, as measured by the Hall sensor on the FBM detector board.

59.54 keV, the FBM energy resolution was found to be $\sigma_{\text{FWHM}} = (2.1 \pm 0.1)$ keV for channel 1 and $\sigma_{\text{FWHM}} = (2.2 \pm 0.2)$ keV for channel 2, where each channel corresponds to a *p-i-n* diode. Initial results from the first tritium campaign in June 2018 are shown in figure 51b. The differential tritium spectrum is recorded and an energy threshold of $E_{\text{th}} \approx 5$ keV was set to remove background for subsequent analysis. The commissioning results and first tritium spectra demonstrate that the FBM is fully operational and can be used for continuous monitoring of the β -electron count rate from the source.

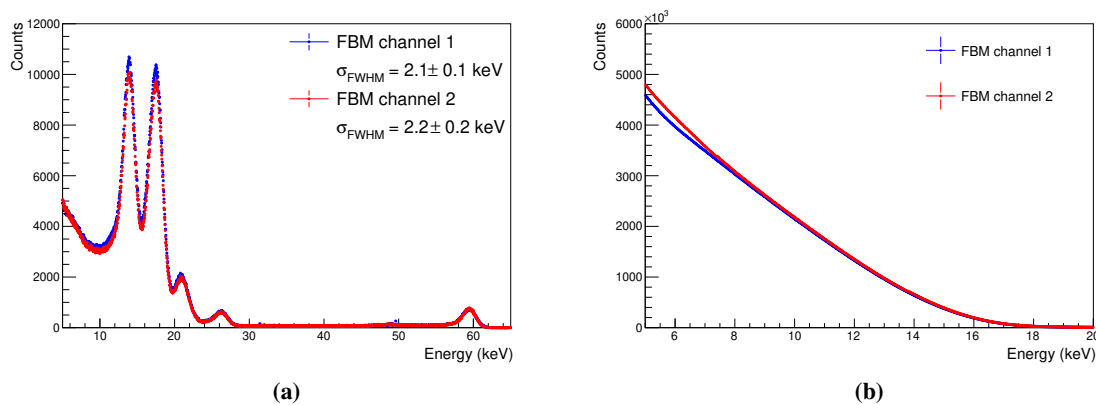


Figure 51. FBM spectra from ^{241}Am calibration and FirstTritium. (a) ^{241}Am spectra, the known peak at 59.54 keV is fit to obtain the *p-i-n* diode energy resolution. (b) Tritium spectra from channel 1 and channel 2 *p-i-n* diodes obtained during the FirstTritium campaign.

7.4 Ion creation, blocking, and removal

Tritium ions are created in the WGTS as a consequence of tritium β -decay. In order to prevent harmful background and systematic effects to the neutrino mass measurements, ion blocking, removal and detection are vital [114].

7.4.1 Tritium ion creation and induced background

Tritium ions originate in the **WGTS** via tritium β -decay at a rate of 1×10^{11} ions/s under nominal conditions. Additionally, because each β -electron ionizes an average of 36 more tritium molecules, the total ion creation rate is 4×10^{12} ions/s.

These ions undergo transformation by scattering with neutral tritium molecules, resulting in mostly T_3^+ ions. T^- ions are also created by dissociative attachment of secondary electrons to tritium molecules. Recombination of positive ions with negative ions and secondary electrons creates a positive ion flux of 2×10^{11} positive ions/s between the **WGTS** and the **DPS**; the negative ion flux in this region is significantly smaller. Nearly all ions have thermal energies of a few meV, corresponding to 30 K. Only a small fraction of ions from molecular dissociation processes retain energies of several eV.

Unlike neutral tritium, tritium ions cannot be pumped out of the beamline in the transport section; instead, they follow magnetic field lines and will induce background if they reach the spectrometers. Inside the **PS**, these ions are accelerated by the negative high voltage to keV-range energies and implanted into the spectrometer vessel walls. There is the danger that some tritium could reemerge as neutral gas, diffuse into the **MS**, and create background by decaying there. They are considered a background here because tritium decaying in the **MS** yields β -electrons created under conditions different than those in the **WGTS**. Any neutral gas flux into the **PS** will reach the **MS** with about 3 % probability. According to simulations, less 1×10^{-3} of the ions entering the **PS** is expected to be transmitted into the **MS** instead of being implanted. Additionally, in the **MS**, the keV ions could create background by ionization of residual gas. In order to restrict the combined background from both mechanisms to less than 0.2 mcps, the upper limit on the ion flux into the **PS** is set to 1×10^4 ions/s. This is significantly smaller than the radiation protection limit of less than 2×10^8 tritium ions/s into the **PS** over the course of three years of **KATRIN** operation.

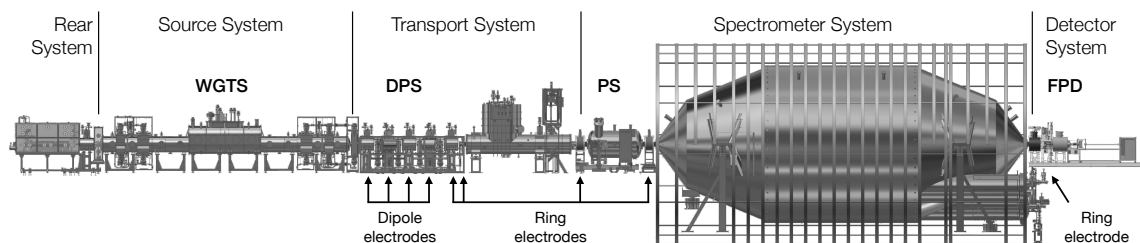


Figure 52. Position of ring and dipole electrodes along the beamline. There is no electrode in the **Windowless Gaseous Tritium Source (WGTS)**. Four dipole electrodes are installed at the **Differential Pumping Section (DPS)**. Five ring electrodes (split-rings) are installed at the exit of the **DPS** as well as in the **Pre-Spectrometer (PS)** and **Focal Plane Detector (FPD)** magnets.

7.4.2 Ion blocking and removal with ring and dipole electrodes

Five ring electrodes are installed along the **KATRIN** beamline in order to stop positive ions with a positive electrostatic potential (see figure 52 and figure 53). Their nominal voltages, ranging from 5 V to 200 V, have been optimized during commissioning measurements. Each ring electrode has a split to prevent the creation of an induced electric current, should a superconducting magnet quench. Note that the ring electrode in **DPS Pump Port 5 (PP5)** is considerably larger in size than the other four

ring electrodes in order to accommodate the larger flux tube at that position. The blocked positive ions are stored in the beamline due to the gas flow from the **WGTS**. As a consequence, the plasma density will increase and so will the probability of plasma instabilities which could change the energy of the β -electrons. For this reason, the positive ions need to be removed. To this end, three dipole electrodes in the **DPS** create a dipole potential and remove the ions via $E \times B$ drift. The transversal drift causes ions to be neutralized on the metallic lobes at the side of the dipole electrodes (figure 53), leaving only neutral tritium to be pumped off. The lobes are welded to the upper electrode in the first three **DPS** beamtubes, and to the lower electrode in **Beam Tube 4 (BT4)**. The voltages of the dipole electrodes in the first three **DPS** beamtubes have been optimized to values ranging from -5 V to -85 V.

The dipole electrode in **BT4** of the **DPS** creates a dipole potential defined by applying 20 V to the upper and 25 V to the lower electrode. This removes secondary electrons which are stored in the beamline between the **DPS** and **PS**. These stored secondary electrons could otherwise accumulate and neutralize the positive potentials of the ring electrodes. Inside all **DPS** beamtubes, cables connecting the ring and dipole electrodes are covered with a conductive shield to prevent charging up and a consequent creation of blocking potentials.

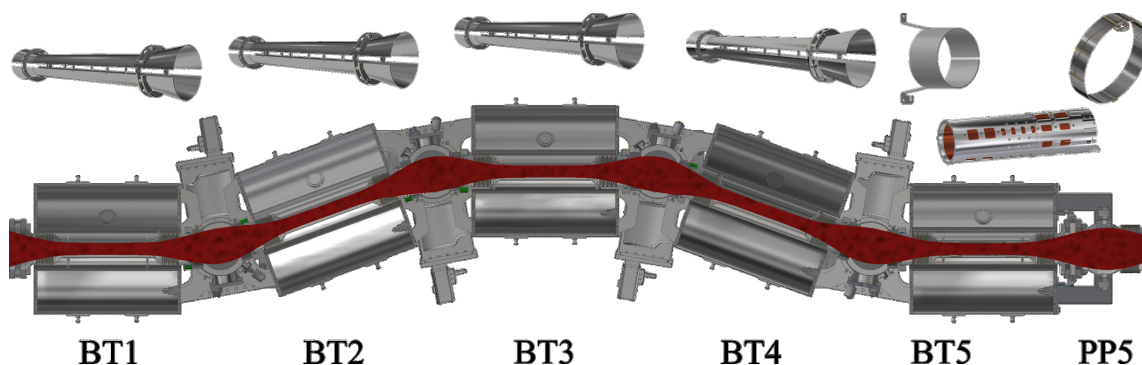


Figure 53. A CAD-drawing of the entire **DPS** is shown, with perspective drawings of the various kinds of electrodes directly above their respective locations. There are four dipole electrodes located in **Beam Tube 1 (BT1)** to **Beam Tube 4 (BT4)**. Two ring electrodes sit in **Beam Tube 5 (BT5)** and **Pump Port 5 (PP5)**. In between them, the cylindrically-shaped **FT-ICR** mass spectrometry unit is installed. The magnetic flux tube is indicated in red.

7.4.3 Ion detection

Several detectors are used to detect the presence of ions inside the beamline. They monitor the residual ion flux into the spectrometers and are used to assess systematic effects by ions and plasma in the source section.

When the positive ions enter the **PS** at negative high voltage, they are accelerated onto the downstream cone electrode (figure 54). The ions neutralize and eject secondary electrons, which creates a current which can be measured with an ammeter⁶⁰ inside the voltage supply of the cone electrode. Calibration measurements [115] showed that a current of 10 fA corresponds to $(5 \pm 1) \times 10^4$ ions/s, which can be distinguished from a 3σ background current fluctuation after 2 h of measurement. As a safety precaution, closure of the valve between the **CPS** and **PS** is triggered

⁶⁰Keithley 6514, <https://www.tek.com/keithley-low-level-sensitive-and-specialty-instruments/keithley-high-resistance-low-current-electrom>.

if three consecutive current measurement samples (each with a sampling rate of about 1 Hz) exceed a threshold of 5 pA; this corresponds to a rate of 3×10^7 ions/s into the PS.

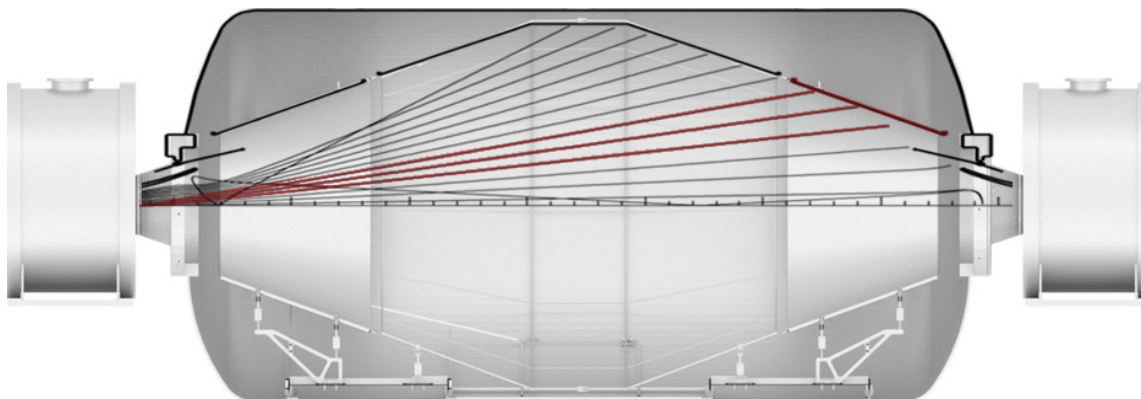


Figure 54. Simulated trajectories of T_3^+ ions in the PS. Red: 20% of the ions reach the downstream cone electrode of the PS (at -19 kV).

The PS-based ion detection methods can be calibrated using the PULCINELLA disk, which is situated at the front of the FPD (section 6.5). Because the PULCINELLA disk is moved into the flux tube during calibration, which obscures the FPD, no neutrino mass measurements can be done simultaneously. The neutralization current is measured with an ADC,⁶¹ which achieves an accuracy of about 3% in the pA range [57, 116].

In order to investigate plasma related effects in the source and transport section, several more current measurement techniques are available. The neutralization current of ions, β -electrons and secondary electrons can be measured on the RW, as well as on the four dipole electrodes in the DPS. For current measurements at the RW, an ammeter⁶² with a sensitivity of 0.4 pA is used. The four DPS dipole electrode currents are measured using an ammeter⁶³ which is sensitive down to 0.5 pA. For these dipole electrodes, the ammeters are placed between the voltage supply and the lobe-bearing dipole halves, as shown in figure 53. A neutralization current at the dipole electrodes of 5 pA (3×10^7 ions/s) can be distinguished from a 3σ background fluctuation, given an ammeter acquisition time of 400 ms and neglecting the uncertainty on the background.

An FT-ICR unit [117–119] (figure 53) for the distinction of different ion species is located in the DPS. Two endcaps create a Penning trap for ions, which are then excited into coherent motion so that their induced image current can be measured. Through Fourier transformation, the e/m -ratios can be determined [120], which allows for identification of the original ion.

This unit was not used in the measurement campaigns of 2017–2019.

7.5 Spectrometer magnetic field monitoring system

The magnetic field strength in the analyzing plane is one of the key operational parameters in the KATRIN experiment; therefore thorough monitoring is essential for a successful neutrino mass

⁶¹Texas Instruments, DDC-114, https://www.ti.com/lit/ds/symlink/ddc114.pdf?ts=1608072005155&ref_url=https%253A%252F%252Fwww.ti.com%252Fproduct%252FDDC114.

⁶²Keithley, 6487, <https://de.tek.com/datasheet/series-6400-picoammeters/model-6487-picoammeter-voltage-source>.

⁶³RBD, 9103, <https://rbdinstruments.com/products/files/9103-picoammeter.pdf>.

analysis. Because it's not possible to make direct measurements of magnetic fields inside the **MS** vessel, **KATRIN** relies on electromagnetic calculations [121] and a precise model [80, 89].

The input data for the calculations and the model come from two sensor networks: one stationary and one mobile monitoring system. The stationary magnetic monitoring system is mounted directly on the **MS** vessel, which allows for continuous monitoring as close as spatially possible to the magnetic flux tube. The mobile magnetic monitoring system consists of several robots which circulate along the outside of the **MS** vessel hull, in order to map the magnetic field over a large volume [89].

7.5.1 Stationary magnetic monitoring system

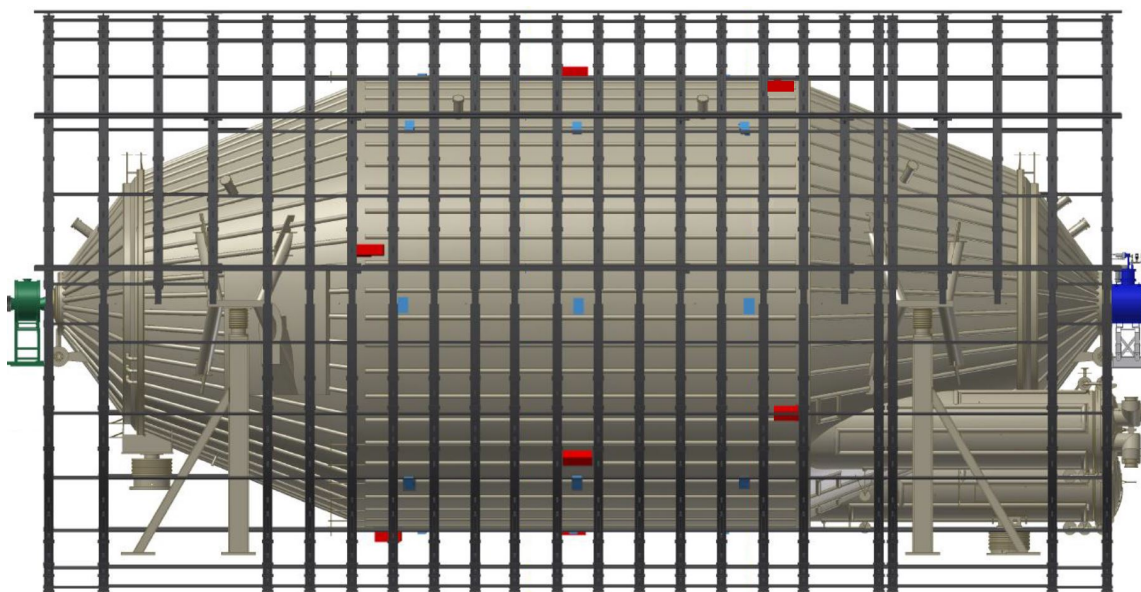


Figure 55. The **MS** vessel and air coil system, as seen from the east side. The red boxes indicate the positions of the Bartington sensor units. The locations the Philips sensor units are marked with blue boxes. Figure adapted from [89].

The stationary magnetic monitoring system consists of 38 sensor units located on the outer vessel surface in the central part of the **MS** (figure 55). Each unit contains a triaxial magnetometer with custom electronics. The units are divided into two categories based on the magnetometer type used. Twenty-four of the 38 sensor units utilize magneto-resistance magnetic field sensors by Philips Semiconductors,⁶⁴ and 14 are based on high-precision magnetometers by Bartington Instruments.⁶⁵

The Philips magnetic field sensor units are distributed on three rings on the **MS** vessel. Within each ring, the units share the same axial position but differ in azimuthal position. Each of the three rings accommodates eight sensor units. The axial positions of the magnetometer rings with respect to the analyzing plane are ± 3.6 m and 0 m. The units on the central magnetometer ring use magnetic field sensors of type KMZ10B, the other units type KMZ20M. These two Philips sensor unit types are designed for low-field measurements in the range of 0.1 to approximately 2 mT [122]. The

⁶⁴NXP Semiconductors (formerly Philips Semiconductors), types KMZ10B and KMZ20M, <https://www.nxp.com>.

⁶⁵Bartington Instruments, type Mag-03MSB1000, <https://www.bartington.com/>.

sensor units have temperature sensors incorporated, which allow for calibration of the measured flux to within 5 % systematic uncertainty [89].

The Bartington sensor units are mounted on steel cable rings wrapped around the **MS** vessel hull. The three magnetometer rings are mounted at axial positions of -4.5 m, -0.14 m and 4.3 m relative to the analyzing plane. The central ring houses six sensor units, the outer two rings house four units each. The triaxial flux gate sensors on each unit can measure very low magnetic fields from <50 nT to 1 mT. The sensors are manufactured with a linearity uncertainty of <0.0015 %, a negligible temperature dependence of 200 ppm/ $^{\circ}$ C and an orthogonality uncertainty of $<0.5^{\circ}$. The relative uncertainty estimation on the measured magnetic flux is <0.5 % [123]. In addition to the magnetometer, each Bartington sensor unit contains an inclinometer⁶⁶ and a laser-based position measurement system. These auxiliary devices provide accurate orientation ($\pm 0.23^{\circ}$) and positioning measurements (± 1 mm) [124].

7.5.2 Mobile magnetic monitoring system

Magnetometers mounted on robots, which move automatically around the **MS**, form the mobile monitoring system. While this system doesn't allow for continuous magnetic monitoring, it does allow for measurement of the magnetic field in the environment of the spectrometer over large area [89]. The mobile magnetic monitoring system currently includes eight robots, with plans to expand to 12 in the near future. Four mobile sensor units [121] move on the inner side of four **LFCS** support rings (rings 3, 6, 9, and 12; see figure 56 top) and form the **Radial Magnetic Monitoring System (RMMS)**. The remaining four units measure the magnetic field on two vertical planes at the east and west side of the spectrometer building and form the **Vertical Magnetic Monitoring System (VMMS)** [91].

Each mobile units of the **RMMS** measures the magnetic field at 144 predefined sampling positions, close to the outer surface of the cylindrical part of the spectrometer. This configuration was chosen due to its axial symmetry with respect to the analyzing plane in the center of the **MS** vessel. Each of the four **LFCS** rings houses a docking station, which defines the start and end point of the mobile sensor unit for one sampling run. Furthermore, the station provides controlled charging of the installed batteries and transfers the measured data to the master module. The communication and transmission between mobile sensor units and their master module, as well as automatic charging, is realized via a modular controller system⁶⁷ [91].

The drive principle of the “T”-shaped mobile sensor unit (figure 56 bottom) is based on toothed-gear wheels and a toothed belt attached to the inner side of the **LFCS** support ring. This design allows the unit to smoothly navigate mechanical discontinuities. The aluminum frame of the mobile sensor units forms a Faraday cup, which ensures the electrical safety of the unit when the **MS** vessel is at high voltage. The two “wings” of the sensor unit each contain one flux gate sensor,⁶⁸ which has a relative systematic uncertainty of <0.5 % [91]. In addition, a three-dimensional inclinometer sensor system based on the 3-axis linear accelerometer⁶⁹ is installed in each wing. The inclinometer systems enable an exact transformation of the local **RMMS** coordinate system into the global **KATRIN** system,

⁶⁶Murata Electronics Oy, SCA121T dual axis inclinometer, <https://www.murata.com/en-eu/products/sensor>.

⁶⁷National Instruments, CompactRIO Platform, <https://www.ni.com/en-us/shop/compactrio.html>.

⁶⁸Stefan Mayer Instruments, FL3-1000, https://stefan-mayer.com/images/datasheets/Data-sheet_FL1-100.pdf.

⁶⁹NXP Semiconductors (formerly Freescale Semiconductors), type Fxls8471q 3-axis linear accelerometer, <https://www.nxp.com/part/FXLS8471Q>.

despite deformations and misalignments of the LFCS rings. A sophisticated control algorithm ensures the reproducibility of measurement positions with an accuracy of better than 1 mm [91].

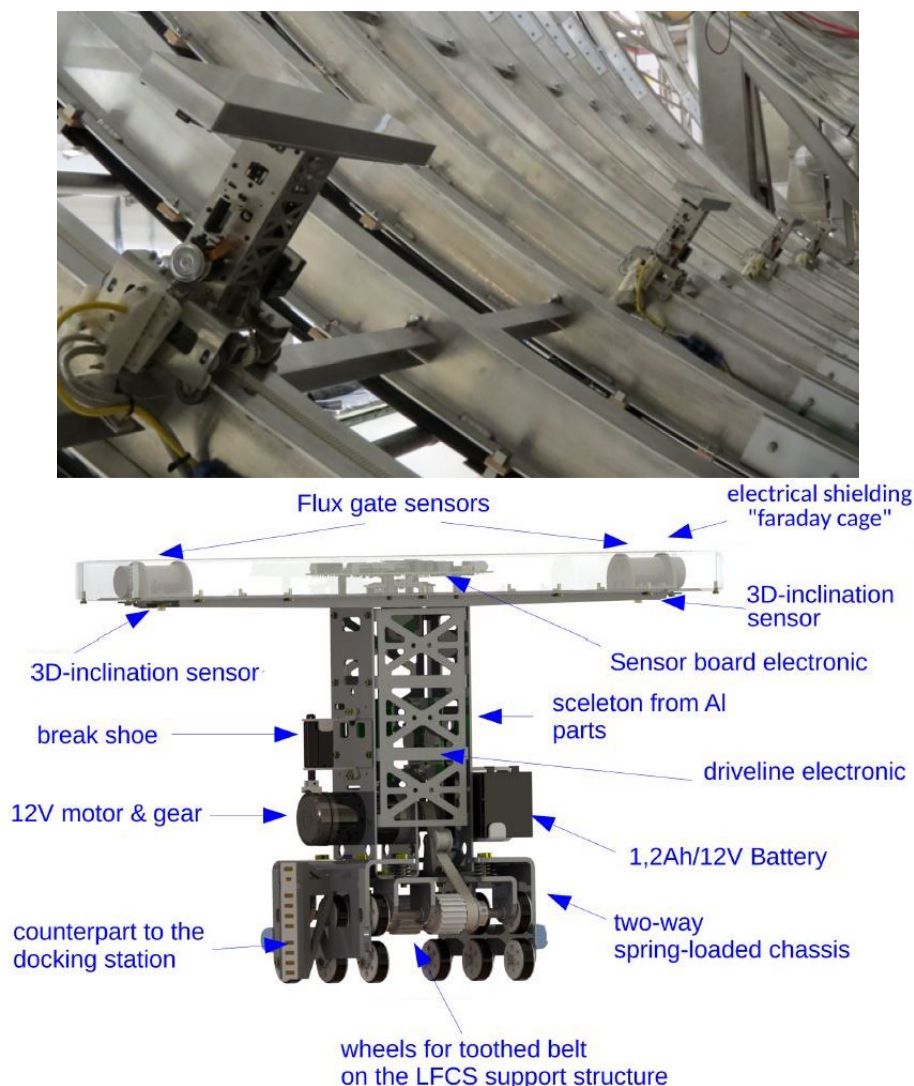


Figure 56. Top: the four mobile sensor units of the radial magnetic monitoring system at LFCS support rings 3, 6, 9 and 12 in their rest positions at the docking stations. **Bottom:** mechanical drawing of the mobile sensor unit as installed. The 2.9 kg unit is 296 mm tall and 532 mm wide. Both figures taken from [91].

The VMMS covering vertical planes parallel to the walls of the spectrometer hall was developed to measure remanent and induced magnetization effects of the walls, which have a direct influence on the magnetic field in the analyzing plane [89, 91]. Mechanically, the vertical magnetic monitoring system is inspired by the technology of the radial system and is based on a movable construction of linear rails attached to the hall pillars. The measuring accuracy and positioning precision of the vertical system are the same as those of the radial system, and are all met. The aim is to completely cover the wall surface in the area near the cylindrical part of the MS vessel at three height levels and to measure the magnetic field with a mesh size of 20×20 cm. Four VMMSs at two height levels have been installed and commissioned. The left plot of figure 57 shows the position of the individual systems.

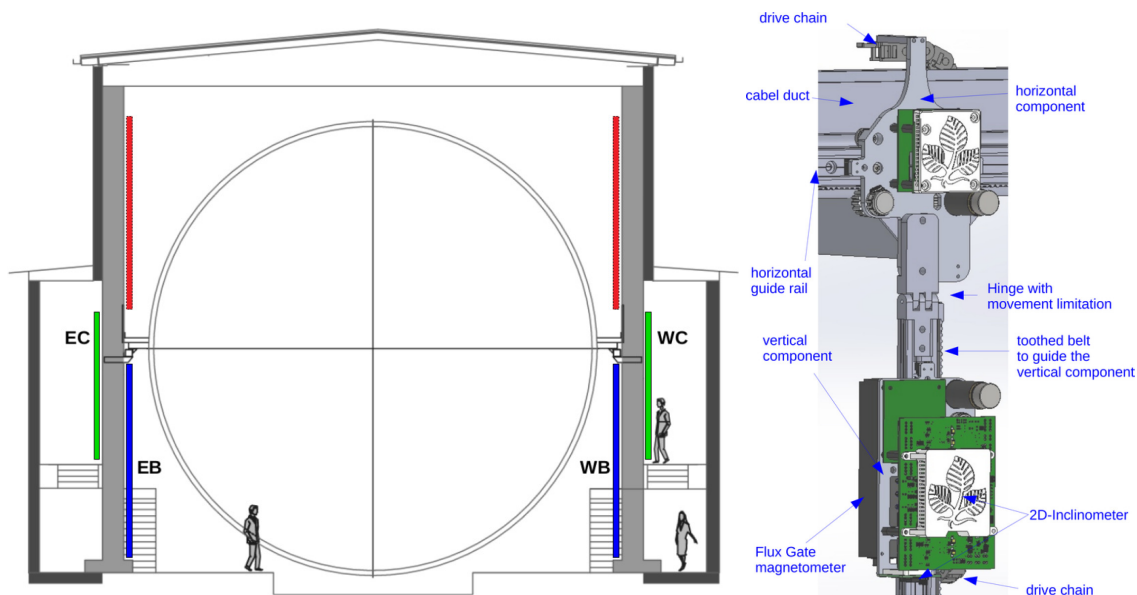


Figure 57. Left: schematic representation of the vertical magnetic monitoring system position within the spectrometer hall. Individual layers are color-coded. View from the north. Individual systems are marked with EC (east center), EB (east bottom), WC (west center) and WB (west bottom). The construction of the upper system (in red) is currently in the concept phase and will be finished in the near future. **Right:** schematic structure of a mobile sensor unit of the vertical magnetic monitoring system in CAD view. Both figures are taken from [91].

The right plot of figure 57 shows the schematic of a mobile sensor unit in the VMMS. The system includes two movable components (horizontal and vertical); a movement-limiting hinge to prevent inadmissibly strong pendulum motion during sensor unit deployment; the drive chains which connect the subsystems; and the cable duct. The movement sequence is as follows: the vertical component starts at the lowest vertical position and moves upwards to the next sampling position 20 cm away. After the measurement has been completed, it moves to the next sampling position. As soon as the end of the vertical linear rail has been reached, the horizontal component is moved to the next position and the vertical system returns to its starting point. Once the overall target position is reached, the entire procedure is repeated. In this way, a grid of magnetic field sampling points is produced until the end of the horizontal linear rail is reached [91].

7.6 Monitoring high voltage system stability

A precise knowledge of the MAC-E filter retarding potential is central to obtaining an accurate integral β -spectrum. Previous works have found that an unaccounted-for variation of the retarding high voltage of 3 ppm at -18.6 kV could lead to a shift of the observed neutrino mass squared by about -0.007 eV²[75, 125–127]. Thus, the high-voltage measurement must be stable at the ppm level to prevent a significant bias of the KATRIN result. This requirement is met by having a second, parallel spectrometer setup [128], the Monitor Spectrometer (MoS), for monitoring; this is in addition to the precision high voltage divider which directly measures [85] the voltage applied to the MS (section 5.3.4). The MoS is another MAC-E filter which is galvanically connected to the high voltage system of the MS. Galvanic coupling of the MS and MoS refers to the fact that their vessel voltages are equal and are powered by the same power supply. This ensures that data-taking is synchronized,

facilitating real-time monitoring. An ultra-stable implanted $^{83}\text{Rb}/^{83\text{m}}\text{Kr}$ source [126, 129] emits monoenergetic conversion electrons, whose energy is continuously assessed at the MoS. Variation of the observed electron energy would point to an instability of the KATRIN high-voltage measurement.

7.6.1 Monitor spectrometer setup

The MoS setup is based on the hardware setup of the former Mainz neutrino mass experiment [6].

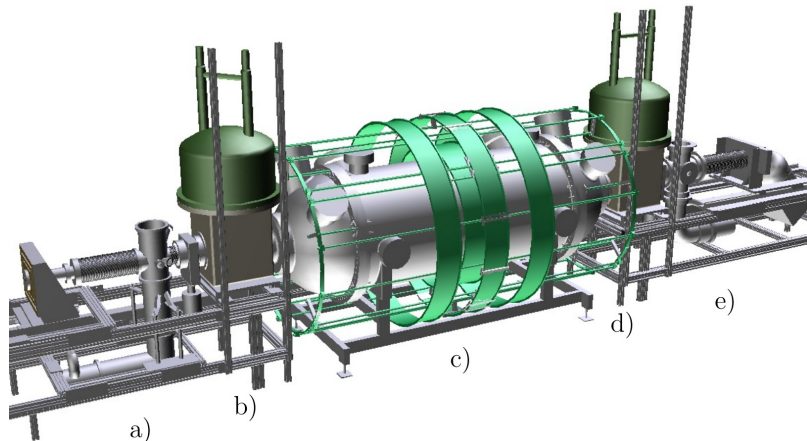


Figure 58. CAD drawing of the monitor spectrometer. Shown are the a) source chamber, b) source-side superconducting magnet, c) vessel with LFCS and EMCS, d) detector-side superconducting magnet, and e) detector chamber [128].

The MoS is a stainless steel vessel with a length of ~ 3 m and a diameter of ~ 1 m, which is maintained under ultra-high vacuum at a level of 9×10^{-11} mbar. The retarding electric field of the MAC-E filter is created by a set of cylindrical and conical stainless steel solid electrodes, as well as stainless steel wire electrodes, all of which are at the same high voltage. Additionally, there is a ground electrode, which is kept at zero potential, together with the vessel hull.

The guiding magnetic field is produced by two superconducting solenoids at the spectrometer entrance and exit, and is further shaped by four normal conducting air coils in the center. There are also horizontal and vertical Earth field compensation coils around the vessel. The magnetic field is set up to achieve an energy resolution similar to that of the MS, i.e. ~ 1 eV at 18.6 keV.

The $^{83}\text{Rb}/^{83\text{m}}\text{Kr}$ source is electrically biased using a dedicated power supply by about -750 V to match the K-32 conversion electron energy with the endpoint of the tritium β -spectrum. The power supply⁷⁰ is read out directly by a commercial 6-1/2-digit voltmeter (figure 30). The electron detector is a circular silicon *p-i-n* diode with a sensitive area of 1.5 cm². Both the detector and the first pre-amplifier stage are located inside the vacuum chamber on a copper-beryllium rod, which is attached to a copper cold finger immersed in liquid nitrogen. This configuration allows the detector chamber to achieve a stable temperature of about -45 °C. For additional details, see [128].

7.6.2 Implanted $^{83}\text{Rb}/^{83\text{m}}\text{Kr}$ source

The electron source is a substrate made out of Highly-Oriented Pyrolytic Graphite (HOPG) with a width of 12 mm, which is ion-implanted with the generator ^{83}Rb (half-life of ~ 86 d [130]). The

⁷⁰FUG MCP 14-1250, <https://www.fug-elektronik.de/>.

^{83}Rb production is carried out at the cyclotron of the Centre of Accelerators and Nuclear Analytical Methods (CANAM) at the Nuclear Physics Institute Řež [131], while the implantation is done with the Bonn Isotope Separator at the Helmholtz Institute for Radiation and Nuclear Physics, Germany [132]. The typical implantation energy is around 8 keV. The daughter $^{83\text{m}}\text{Kr}$ (half-life of ~ 1.8 h [130]), which is generated by electron capture decay of ^{83}Rb , emits conversion electrons in place due to its high retention ($>90\%$) in the substrate.

Due to the favorable half-lives of these two isotopes, transient equilibrium is established within a day of source production. The long decay time and low maintenance requirements allow for continuous measurement at the MoS. A ^{83}Rb activity of a few MBq yields an electron rate in the no-energy-loss electron peak of the K-32 line on the order of 10 kcps. The actual electron rate value can be adjusted by moving the source within the magnetic field, thereby changing the MAC-E filter acceptance angle according to equation (5.3). Dedicated analysis methods were developed to describe the electron line shape of the implanted $^{83}\text{Rb}/^{83\text{m}}\text{Kr}$ source, which is influenced by solid state effects [126, 133].

7.6.3 Electron energy stability

Extensive studies using the MoS were carried out to assess the quality of the implanted $^{83}\text{Rb}/^{83\text{m}}\text{Kr}$ sources. It was shown that the required electron energy stability can be reproduced if the ^{83}Rb peak concentration in the substrate is not too high. Acceptable electron stability values were found to be on the order of 1×10^{20} ion/cm³ [126].

The peak concentration is estimated using the source activity, radio-graphical image of the source, and a simulation of the implantation profile. The results of a long-term stability measurement of the K-32 electron energy of four different sources during the same time period are shown in figure 59. The plot demonstrates reproducibility of the long-term electron energy stability in different sources, and the negative effect of high ^{83}Rb peak concentration.

The K-32 line position in the spectra can be determined within a few minutes with an uncertainty of 40 meV. The electron line position of the solid $^{83\text{m}}\text{Kr}$ sources is few eV higher than that obtained from gaseous $^{83\text{m}}\text{Kr}$. This is a known effect due to the different electron binding energies in the atom, whether bound in a solid or in the free atom. Nevertheless, the $^{83}\text{Rb}/^{83\text{m}}\text{Kr}$ HOPG source can be used as a long-term standard by measuring the energy difference of the $L_3 - 32$ and $L_3 - 9.4$ conversion electrons.

7.7 Electron sources

A number of electron sources are currently available: an electron gun (section 7.7.1), a condensed krypton source (section 7.7.2), and a gaseous krypton source (section 7.7.3). There exists a fourth electron source, an implanted krypton source, which is part of the monitoring system at the MoS; a full description is given in section 7.6.2.

7.7.1 High resolution angular-selective electron gun

The electron gun (e-gun) emits a pulsed beam of electrons to be used as probes in the KATRIN setup. The design is based on the principle of electron emission from a metallic photocathode, which produces a point-like beam with electrons of narrow energy and angular distribution. A

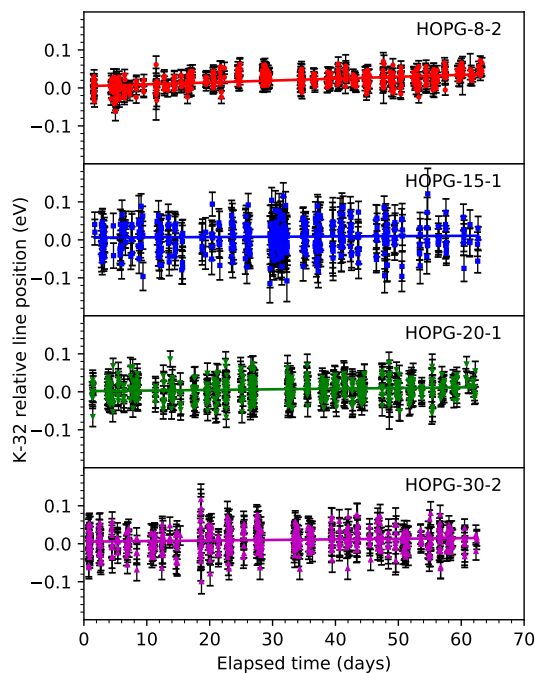


Figure 59. Long-term stability of the K-32 electron energy measured at the MoS. The labels on each of the 4 subplots denote different sources in the following format: *substrate* — *implantation energy in keV* — *serial number*. The larger drift for HOPG-8-2 of about 0.8 ppm/month is clearly visible, in contrast to the negligible drifts for the other three sources. The ^{83}Rb peak concentration for the first sample was around 9.3×10^{20} ion/cm³, which is large compared to 0.2×10^{20} , 1.7×10^{20} and 1.1×10^{20} ion/cm³, respectively, for the other sources. The reason for such a high concentration was the use of a new retarding setup at the ion implanter, leading to significant focusing of the ion beam.

general description of the device can be found in [134]. The e-gun allows studying electromagnetic characteristics along the main beam line and has been used in the commissioning of various beam line sections. It is also suited to investigate and monitor source characteristics, such as electron scattering and the column density stability.

Principle and requirements. The quantities of interest in the e-gun setup are the electron rate R_g , the energy E and the electron pitch angle θ .

The e-gun is required to have a small energy spread of <0.5 eV, and a well-defined θ which covers the range of 0° to 90° at the pinch magnet, which is the location of highest magnetic field along the KATRIN beam line. The electron rate must be stable, with $<0.1\%$ fluctuation over several hours. Because the energy spread is largely influenced by the photocathode work function, it is important to perform measurements of this characteristic parameter on a regular basis. This is possible by a wavelength-dependent measurement of the electron yield; see e.g. [135, 136].

Many studies effectively measure the kinetic energy of the electrons in the source or in the analyzing plane of the MAC-E filter. As explained below, this energy depends on the voltage difference between photocathode and the MS electrodes. A precision high voltage source is therefore required to minimize fluctuations. The two systems are typically coupled, with the photocathode being supplied with a voltage offset on the order of ± 100 V relative to the inner spectrometer potential.

Two such **e-guns** have been used at the **KATRIN** experiment. The first was set up temporarily during the spectrometer commissioning campaign, which focused on the transmission characteristics of the **MS** [81, 89, 135, 137]. Additional measurements were carried out at the **MoS** to test the device and perform a preliminary characterization [134]. This source was intended only for intermediate use at the spectrometer section, and it has subsequently been dismantled with the completion of the full **KATRIN** beamline.

A second **e-gun** is installed in the **RS**, using a design similar to the first one. This **RS e-gun** is fully integrated with the main beam line and used for further commissioning measurements and continuous monitoring of source parameters such the column density [136, 138, 139]. The first commissioning phase of this setup was carried out in 2018, which included general functionality tests and characterization, investigations of electron scattering with D_2 gas in the source section, and monitoring of the column density. After minor improvements the **RS e-gun** was used for electron scattering studies on T_2 gas in the source and for characterization of the electromagnetic fields in the **MS**, which will be discussed in a separate publication.

The following sections will summarize both electron source setups and highlight some important results from earlier measurement campaigns.

Setup. In both setups, the **e-gun** design is based on the emission of electrons from a metallic photocathode illuminated by a UV light. The light is fed through an optical fiber onto the back of the thin photocathode surface, where photoemission takes place. By using light with a photon energy $E_\gamma = hf = hc/\lambda$ that is slightly larger than the work function Φ of the photocathode, electrons are emitted with a small and narrowly distributed energy in the 1 eV range. The photocathode is located at an emission electrode, operated at a high electric potential of typically $U_{\text{start}} = -18.6$ kV. The potential difference to the grounded **KATRIN** beam line accelerates the electrons to the corresponding kinetic energy of $E \approx 18.6$ keV. This electron acceleration is adiabatic, and the electrons follow a cyclotron motion around a magnetic field line that transports them downstream towards the detector.

A key feature of the **e-gun** is *angular selectivity*: the creation of a defined pitch angle $\theta = \langle(\vec{p}, \vec{B})\rangle$ between electron momentum \vec{p} and magnetic field \vec{B} . The electrons follow an approximately $\cos\theta$ angular distribution upon emission with very low velocity. Therefore the Lorentz force is small and they can be accelerated at this early stage in a direction also non-parallel to the magnetic field. The acceleration collimates the beam into a narrow angular distribution [134, 140]. This non-adiabatic collimation is achieved by a electrostatic acceleration field in the order of 500 kV/m at the photocathode surface, which is created by an acceleration electrode at a potential difference $U_{\text{acc}} \approx 5$ kV relative to the photocathode. The photocathode can be tilted by a few degrees against the magnetic field at the emission spot, in order to select a certain range of electron pitch angles $\theta = 0^\circ$ to 90° at the pinch magnet. The overall design is illustrated in figure 60 for the **RS e-gun**. For details, see [136, 138].

Principle and implementation. To use the electron source for characterization of the **MS** and other components, it is often required to move the electron beam off-center so that radial and azimuthal inhomogeneities can be investigated. This requires selection of a specific magnetic field line to define the electron trajectory. For the **MS e-gun**, this was achieved by a manipulator which moves the entire source across the magnetic flux tube. By contrast, the **RS e-gun** uses a system

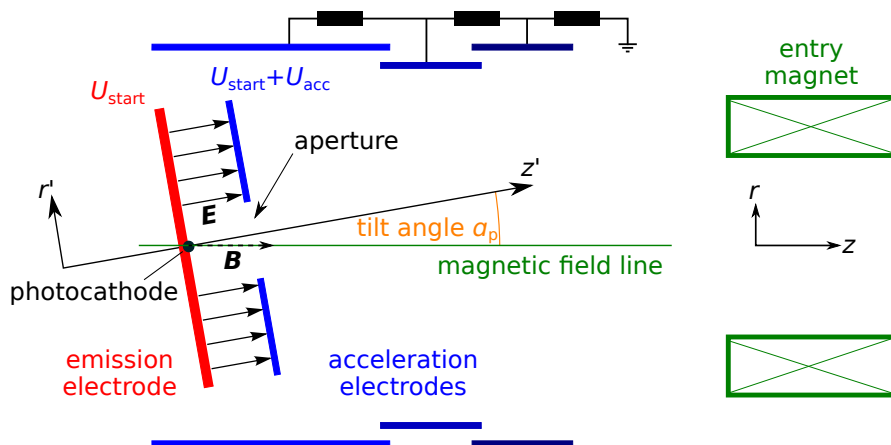


Figure 60. Electron source design, based on photo-emission of electrons with electrostatic acceleration. Shown is the [RS e-gun](#); the similar setup used at the [MS](#) is described in [134].

of magnetic dipole coils to steer the electron beam in the vertical or horizontal direction. Both methods allow to illuminate each of the [FPD](#) pixels individually with the narrow electron beam.

The UV light can be produced by two methods: via a pulsed Nd:YVO₄ laser, or a continuous light source that emits a variable range of wavelengths. In the first method, a pulsed laser produces monochromatic UV light ($\lambda = (266 \pm 1)$ nm) at pulse frequencies of 20 kHz to 120 kHz. As the light intensity is high, electron rates of 10 kcps and higher are easily achieved. Depending on the detector configuration, pile-up effects can distort the observed rate. We correct such effects by a dedicated [Data acquisition \(DAQ\)](#) filter stage and corresponding simulations; this is not further discussed here. By measuring the time it takes for an electron emitted via UV laser pulse to its detection, we can carry out [time-of-flight \(ToF\)](#) measurements. The [e-gun ToF](#) mode allows for differential electron spectroscopy with a [MAC-E filter](#) [141], either for testing novel approaches for determining the neutrino mass [142–144], for energy loss measurements [136], or for calibration and commissioning measurements of the [MS](#) and [WGTS](#) [137]. Some applications of this mode are discussed in the following sections.

The second illumination method produces UV light of variable wavelengths, either by an array of UV-LEDs (at the [MS](#)) or with a [Laser-Driven Light Source \(LDLS\)](#) (at the [RS](#)). Both setups use a monochromator in the optical beam line to select a narrow interval of wavelengths, with typical FWHM 5 nm to 10 nm. The resultant light in this case is continuous and therefore not usable for [ToF](#) measurements. However, the variable wavelength of typically 250 nm to 300 nm allows to minimize the energy spread of the emitted electrons by adjusting the wavelength such that $hf \rightarrow \Phi$. The [LDLS](#) is also used in some measurements where a higher rate stability is required. Furthermore, the variable wavelength enables us to determine the photocathode work function via an *in situ* measurement of the electron yield in dependence of wavelength. Such a measurement provides an important fix point that defines the absolute energy scale of the emitted electrons. In turn, this enables us to investigate the work function stability of the [MS](#) [135, 136]. The light intensity is continuously monitored by a photodiode at the < 1% level to correct for resulting rate fluctuations in the measurements. At the [RS](#) setup, an active correction is implemented that can further stabilize the achieved electron rate to better than 0.1% [139].

Commissioning results. The main function of the **e-gun** is to characterize the electron transmission through the spectrometer section. This is done by varying the surplus energy $E - qU$ relative to the retarding voltage U applied to the **MS** electrodes. Figure 61 shows transmission function measurements with different light sources. The transmission function describes the probability for an electron with energy E to be transmitted, that is to overcome the retarding potential qU of the spectrometer. Electrons that are produced by the **e-gun** with slightly smaller energy require additional surplus energy to reach the detector. Because the retarding potential in the spectrometer is not completely homogeneous, electrons following the magnetic field lines will experience a slightly lower energy threshold depending on their trajectory. In figure 61 this is seen as a surplus energy offset of about -2.2 eV, corresponding to an effective retarding potential of 18 598.8 eV in the **MS** center.

The fit model in this case is a simple error function, which describes the effective energy distribution of the electrons in the **analyzing plane** (**AP**). The energy distribution is shown on the right. For the measurement taken with the **LDLS**, the energy is normal distributed with a width of 0.15 eV. Another measurement was taken with the laser at a higher wavelength of 266 nm, which reduces the energy spread to 0.08 eV because the photon energy is closer to the effective photocathode work function.

In both cases, the achieved energy spread is much better than the design requirement. The setup with multiple variable light sources allows to optimize the electron emission in terms of count rate, rate stability, and energy distribution.

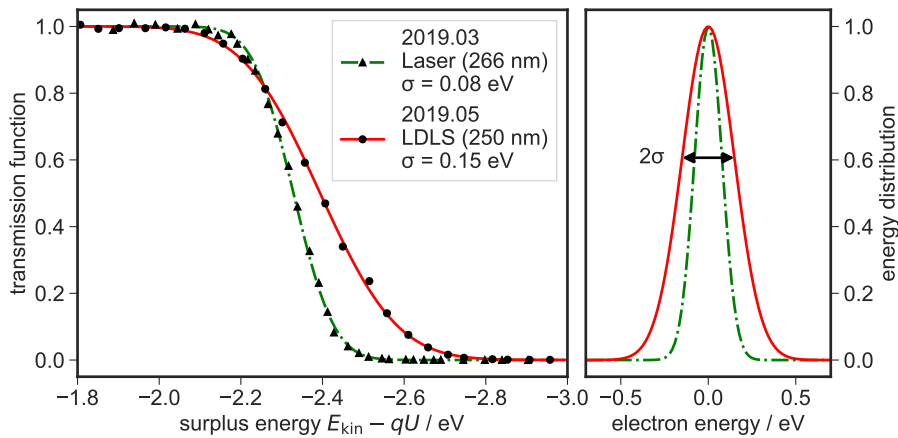


Figure 61. E-gun transmission function with different light sources: normalized measured electron rate (black data points) and the individual best-fit results (colored lines) are shown; the corresponding energy distribution is shown separately on the right.

The potential inhomogeneity in the **MS AP** is one of the key parameters of the **KATRIN** setup that can be studied with the **e-gun**. Due to the physical design of the **MS**, radial and azimuthal inhomogeneities in the electromagnetic fields cannot be completely avoided. The *potential depression* $\Delta U_r(r, \phi)$ is defined as the difference between the effective retarding potential in the **AP**, $U_{\text{ana}}(r, \phi)$, and the high voltage applied to the spectrometer electrodes, U_{IE} . It is typically about 1 V to 3 V and depends on the spectrometer configuration. Electrostatic simulations using the Kassiopeia

software [80] can determine the effective retarding potential for an arbitrary electron trajectory, but need to be validated against dedicated measurements.

A measurement of the retarding potential with the **e-gun** during the first neutrino mass campaign is shown in figure 62. The potential in the **AP** is determined by measuring the transmission function for $\theta = 0^\circ$ on different detector pixels. Each measurement is fit with a model that describes the energy and angular distribution of the electrons separately [134] and includes the characteristics of the **MAC-E** filter. Another free parameter describes the observed energy shift between the transmission functions; for details see [145]. Because the electron energy E is stable over time and narrowly distributed, the shift directly corresponds to the potential depression $\Delta U_r(r, \phi)$ over different detector pixels.

The measured radial inhomogeneity in horizontal and vertical direction is reproduced accurately by simulations in the given magnetic field setting, which reaches $B_{\min} = 0.63$ mT in the center of the **AP**. The potential calculations are based on a detailed 3D model of the **MS** which includes deformations of the vessel hull. A global potential offset of -0.181 V was added to account for work function differences between the spectrometer electrodes and the **e-gun** photocathode, that cannot be included in the simulations. The maximum potential depression in the **AP** center then amounts to $\Delta U_{r=0} = -2.14$ V, or an absolute retarding potential of $U = -18\,597.86$ V at an applied voltage of $U_{\text{IE}} = -18\,600$ V, which is in agreement with our expectations. Unavoidable misalignments between beam line components lead to small deviations between the simulation and measurements that are visible in figure 62; these effects are currently being investigated.

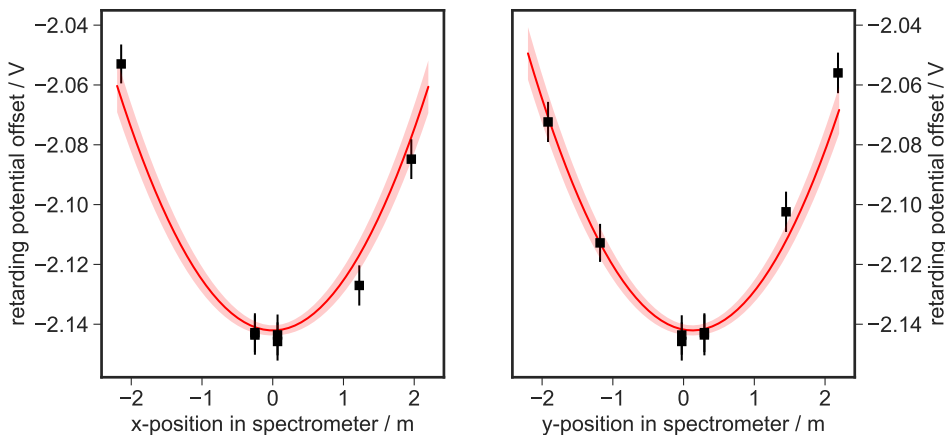


Figure 62. Potential mapping of the analyzing plane with the **e-gun** in direction of the horizontal and vertical axes, and comparison to simulations. Shown is the determined potential inhomogeneity ΔU_r (black data points), and simulation results for the same position in the analyzing plane (colored lines with 3σ uncertainty bands). The potential inhomogeneity follows a parabolic distribution.

The **ToF** mode that is available with a pulsed light source allows a differential measurement of the electron energy, because the **ToF** is determined on an event-by-event basis [141]. In this case, the **ToF** is affected by electromagnetic fields not only in the spectrometer **AP**, but also in a large region of several meters around the center of the **MS**. This behavior allows us to verify the integrity of the **MS** inner electrode system, and to validate the simulation model by comparing the **ToF** measurement results to particle-tracking simulations.

Figure 63 shows the result of one such ToF measurement at different azimuthal positions of the e-gun at $B_{\min} = 0.38$ mT. It was performed during the spectrometer commissioning campaign. The observed electron ToF at each measurement point depends on the electron surplus energy and changes with the electric potential in the spectrometer, so that the potential shift $\beta = \langle U \rangle - U_{\text{IE}}$ can be determined.

The scan was performed in 1° steps with electron source positioned on a circle with fixed radius. The electron trajectories reach a maximum radius $r_{\max} \approx 3.7$ m in the AP; a high radius was chosen in order to increase the sensitivity to local field variations caused by the inner electrode system. At each step the ToF was measured for several electron energies in the range -1 eV to 10 eV relative to the spectrometer voltage (here reduced to $U_{\text{IE}} = -800$ V). In addition, four transmission function measurements were performed at 90° intervals, which allow to relate the measured ToF to the retarding potential in the AP, which is shown in the figure.

The measurement results are in good agreement with the simulations. This validates the simulation model to a relative error of 0.03% [137]. Analogous to the measurement above, a global potential offset of -0.07 V was applied. A clear azimuthal dependency is observed, which is largely caused by the gravitational deformation of the vessel hull. No small-scale deviations are seen that could point to broken wires or unknown short-circuits in the inner electrode system.

In addition to gaining insight into the integrity of the MS inner electrode system, ToF mode measurements can be used to study electron scattering in the WGTS. Results from these studies will be discussed in a separate publication.

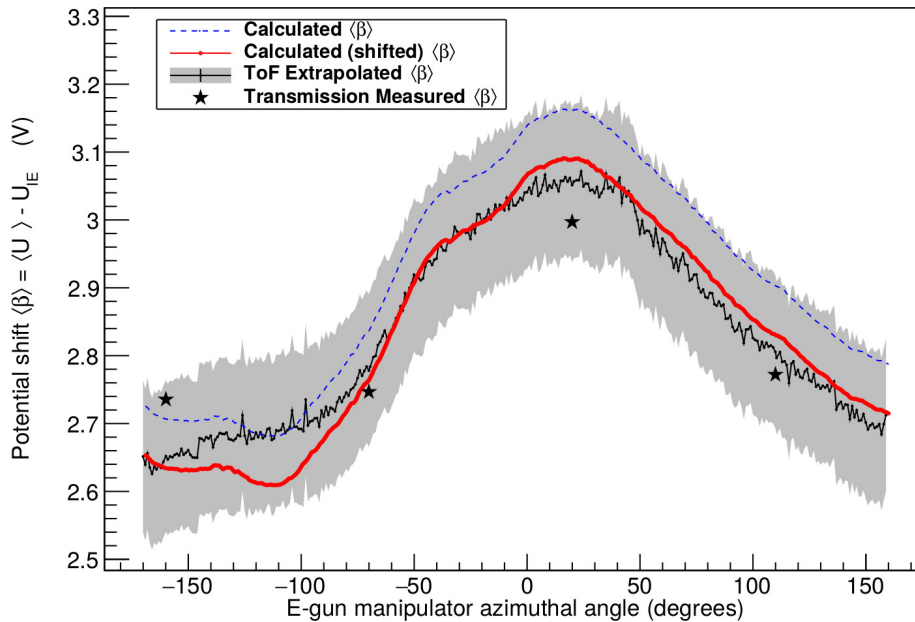


Figure 63. Variation of the spectrometer retarding potential, extrapolated from an e-gun ToF measurement (black line with gray uncertainty band). Four additional transmission function measurements are shown as well (black stars). The measurements are compared to simulations (dashed blue line), to which a global potential offset was applied (red line). From [137].

7.7.2 Condensed $^{83\text{m}}\text{Kr}$ source

The **Condensed $^{83\text{m}}\text{Kr}$ Source (CKrS)** is part of the calibration and monitoring infrastructure of the **KATRIN** experiment. It is located at the **CPS** upstream from the **PS**, and provides isotropic quasi-monoenergetic electrons from a thin film of $^{83\text{m}}\text{Kr}$.

Principle and requirements. The $^{83\text{m}}\text{Kr}$ which provides the conversion electrons is emanated from a rubidium generator and travels through a capillary towards a 2×2 cm **HOPG** substrate kept at 25 K, where it condenses in a sub-monolayer film. Because the substrate area of 4 cm^2 (further limited by a 2 cm-diameter aperture) covers only a fraction of the entire flux tube, the **CKrS** illuminates only about a single **FPD** pixel. This small illumination area can be advantageous: it enables a high-precision measurement of the arrival point of electrons emitted from a quasi-pointlike, monoenergetic, isotropically-emitting source. For a full coverage of the detector, a 2D movement system is integrated into the **CKrS** setup, allowing for control over the positioning of the substrate anywhere within the flux tube. It also enables complete retraction of the source from the beamline.

Using the **CKrS** to calibrate the spectrometers requires a stringent energy stability of tens of meV over hours or even days. As the kinetic energy of the emitted conversion electrons is influenced by surface effects on the **HOPG** substrate, it is crucial to control and monitor the conditions of the condensed film and to minimize contaminations by residual gas molecules. To reach the UHV pressures in the 10^{-10} mbar range, the complete system undergoes a bake-out prior to operation and is pumped by two **TMPs** and a getter pump. For reproducible starting conditions, the substrate is cleaned by heating and laser ablation before a new film is prepared.

Precise *in-situ* monitoring of the film thickness and its properties is possible by means of a laser ellipsometry system included in the setup.

Setup. The **CKrS**, installed on top of the **CPS**, can be driven into the beamline. Several subsystems, including the cold head, ellipsometry system, rubidium generator, gas and vacuum system, are placed on a movable carriage, which is electrically isolated from the rest of the scaffolding. Figure 64 shows a 3D model of the **CKrS** inserted into the beamline.

Commissioning results. The **CKrS** was installed at the **KATRIN** experiment in the first half of 2017, and was used during the $^{83\text{m}}\text{Kr}$ commissioning measurements in July 2017 [11]. During a one-week campaign, the setup worked as intended and all available conversion electron lines were measured. Figure 65 shows an example scan for the $M_2M_3 - 32$ doublet conversion electron line. The resulting spectrum is a convolution of the natural Lorentzian line shape with the transmission function of the **MS** and the data demonstrates the good energy resolution of the spectrometer.

However, due to short preparation time, the vacuum conditions were not as good as desired. Condensation of residual gas contaminated the film, resulting in a drift of the line position by about 300 meV in 100 h (for the M_2 and M_3 lines). This drift seems to have subsided for later times, and the behavior can be well described by an image charge model, taking into account 3 to 4 layers of gas.

In order to improve over the first measurements, an extended bake-out of the system with more sophisticated hardware has been carried out before the four-week measurement campaign in July and August 2018. Of those four weeks, two were dedicated to improve the energy stability via pre-plating the substrate with 3 nm of stable krypton before condensing the radioactive $^{83\text{m}}\text{Kr}$ to diminish the image charge influence.

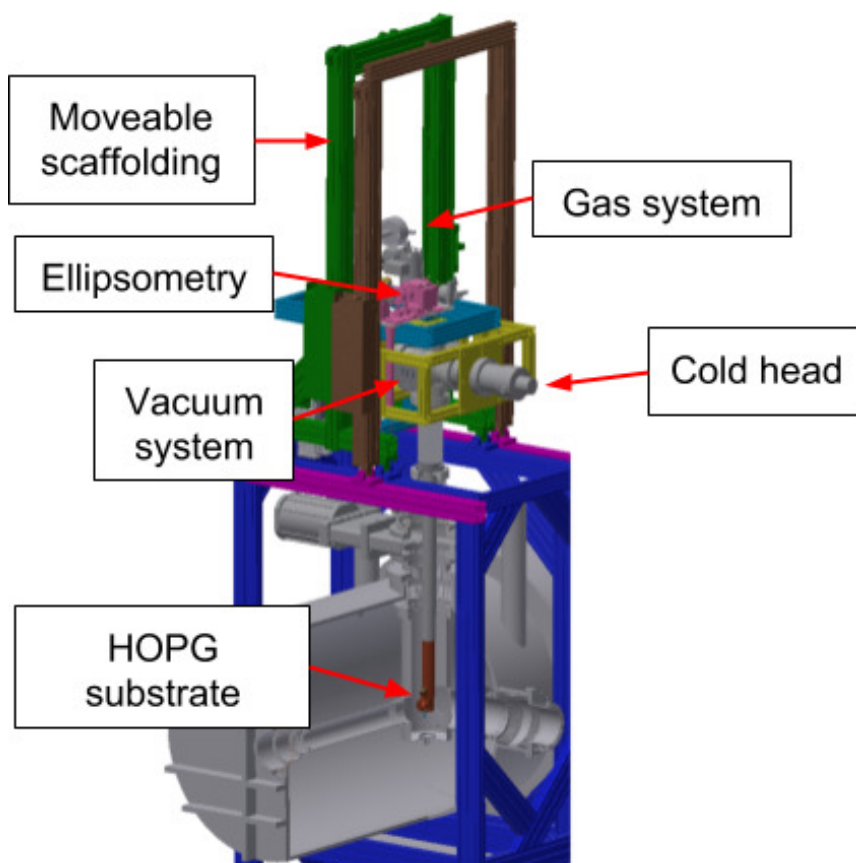


Figure 64. An overview of the CKrS setup inside the CPS. For orientation: downstream is to the left, upstream is to the right. From [146].

These measures improved the observed line stability of the $L_3 - 32$ conversion electrons to 30 meV in 100 h [147, 148], as shown in figure 66.

With the stability requirement satisfied, a scan of the analyzing plane electromagnetic fields was performed. This involves scanning the $L_3 - 32$ line with the CKrS in different positions within the magnetic flux tube. Analysis of these measurements is ongoing but should provide precise values for the magnetic fields and electric potentials in the analyzing plane, which can be used to cross-check values obtained by simulations.

The CKrS can also be used for an absolute calibration of the HV system via measuring the difference between the $L_3 - 9.4$ line and the $L_3 - 32$ line [87].

7.7.3 Gaseous ^{83m}Kr source

The Gaseous ^{83m}Kr Source (GKrS) has historically been the preferred source for energy calibrations and test measurements. It was originally applied at the Los Alamos tritium experiment [13, 149–152], and later at the Livermore experiment [153, 154]. The Troitsk group employed a GKrS for systematic studies of the plasma effect in their WGTS [155]. Recently, another such GKrS was successful in the detection of cyclotron radiation from relativistic electrons, which is the basic technique in a future tritium-based neutrino mass experiment, Project-8 [156].

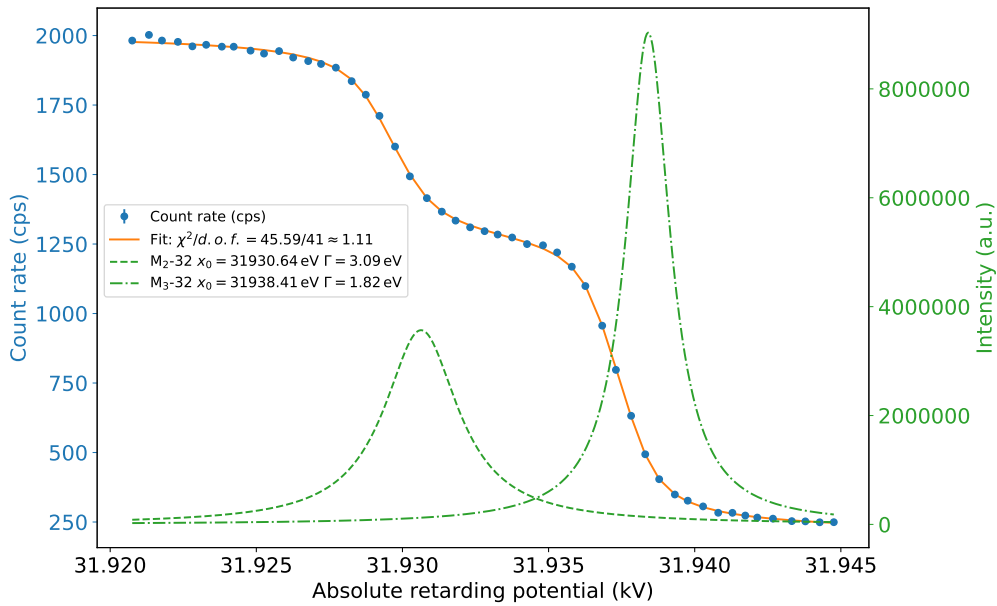


Figure 65. Fit of a single pixel measurement of the $M_2 - 32$ and $M_3 - 32$ conversion lines with the CKrS. An additional Gaussian broadening with $\sigma = 0.130$ eV is included in the Lorentzian peak shapes to account for surface effects.

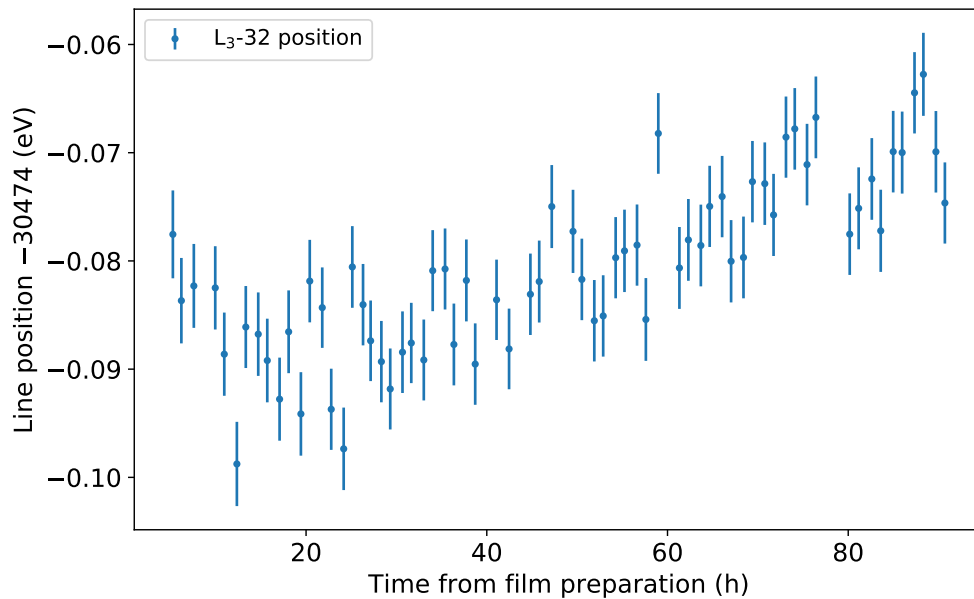


Figure 66. Fitted position of the $L_3 - 32$ conversion electron line over time, after an initial time span of 2 h to allow for equilibration. The energy is stable to within 30 meV over a 100 h interval.

Principle and requirements. The motivation for using the GKrS in the KATRIN experiment is straightforward: $^{83\text{m}}\text{Kr}$ monoenergetic electrons can be used to characterize some of the effects

that influence the tritium β -electron spectral shape. While there is much overlap with the **CKrS**, there are some effects which can be explored uniquely with the **GKrS**. These include the distortion of the β -spectrum from energy losses of the β -electrons in the tritium gas, and the stability and spatial inhomogeneity of the **WGTS** plasma potential induced by tritium. The **GKrS** also has several properties which make it a favorable candidate for the aforementioned tasks. By injecting the $^{83\text{m}}\text{Kr}$ gas into the **WGTS**, the conversion electrons are subject to similar conditions as the tritium β -electrons. The $^{83\text{m}}\text{Kr}$ gas can also come in contact with tritium or with D_2 test gas in the **WGTS**. There is much detailed atomic and nuclear data on the $^{83\text{m}}\text{Kr}$ and its radiations [130]. Its half-life $T_{1/2} = (1.8620 \pm 0.0019) \text{ h}$ [131] is short enough to avoid long-term contamination of the beamline, thus is unlikely to increase the total background rate. Additionally, the half-life of the parent isotope ^{83}Rb ($T_{1/2} = (86.2 \pm 0.1) \text{ d}$) is long enough to allow hours-long **GKrS** measurements with a practically stable activity.

The main component of the **GKrS**, the $^{83}\text{Rb}/^{83\text{m}}\text{Kr}$ source, was developed at NPI in Řež, where 1 GBq of ^{83}Rb had been deposited inside 15-30 zeolite (molecular sieve) beads (figure 67).



Figure 67. Photo of the $^{83}\text{Rb}/^{83\text{m}}\text{Kr}$ zeolite source. The zeolite is of type 5A, with spherical beads on average 2 mm in diameter.

A large amount of the $^{83\text{m}}\text{Kr}$ produced in the decay of the parent isotope emanates into the vacuum at the room temperature, while the ^{83}Rb is firmly bound in the zeolite beads. For the **KATRIN** experiment, the ^{83}Rb is produced at the cyclotron of the Centre of Accelerators and Nuclear Analytical Methods (CANAM) at the Nuclear Physics Institute Řež [157].

Source setup. The **GKrS** consists of the $^{83\text{m}}\text{Kr}$ generator, **WGTS** tube, connection tubing and chambers in between. The output of the generator is attached to the outlet of the second **WGTS Pump Port 2F (PP2F)** (figure 68).

The $^{83\text{m}}\text{Kr}$ gas from the generator is pumped with the **TMP** at **PP2F** into the **WGTS** loops and further through a 4 mm-diameter capillary to the tritium injection chamber at the middle of the **WGTS** tube. In the krypton calibration mode, the capillary and the **WGTS** tube are kept at 100 K. Operating at these higher temperatures is necessary, as a substantial loss of $^{83\text{m}}\text{Kr}$ would arise at lower temperatures due to freeze-out on the walls. The $^{83\text{m}}\text{Kr}$ generator scheme is shown in figure 69. The generator setup uses stainless-steel 12.7 mm VCR components.⁷¹ The $^{83}\text{Rb}/^{83\text{m}}\text{Kr}$ zeolite source is situated at the bottom of the well, embedded in a cylindrical oven which is also

⁷¹Swagelok, VCR fittings, <https://www.swagelok.com/en/product>.

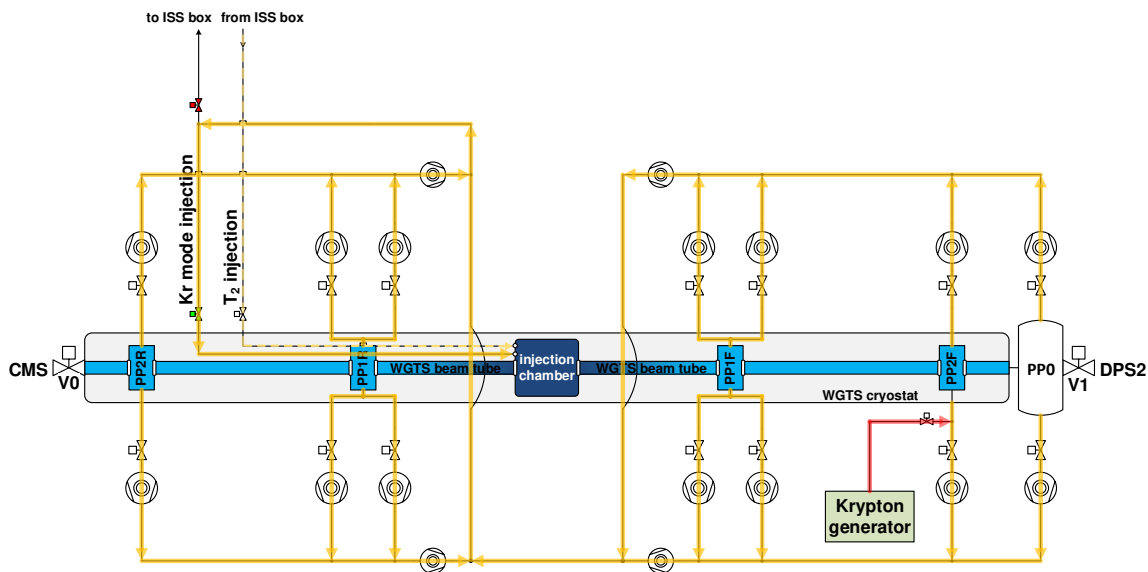


Figure 68. The scheme of $^{83\text{m}}\text{Kr}$ injection into the WGTS: $^{83\text{m}}\text{Kr}$ generator connection to PP2F (red), krypton circulation tubing (yellow), pumps and loop valves (green). The abbreviations CMS, V0, V1, ISS, RS, PP and DPS2 stand for the Control and Monitoring System, beamline Valves 0 and 1, Isotope Separation System, Rear Section, PumpPort and Differential Pumping Section 2, respectively.

nested in lead shielding. The oven is used to bake the zeolite beads (3 h at 200 °C) before activating the generator. This allows for the removal of residual gases absorbed by the beads during storage in air. A secondary benefit of baking is to avoid the deterioration of the WGTS vacuum after the generator is connected. Two sintered filters with 0.5 μm pores prevent aerosol and small zeolite abrasions, which might contain ^{83}Rb , from diffusing into the WGTS. A regulating valve controls the amount of $^{83\text{m}}\text{Kr}$ gas that flows into the WGTS. For generator maintenance, a port for cleaning the gas is also installed. The generator itself is shown in figure 70; its flow diagram in figure 71.

As displayed in figure 70, the generator is inside the secondary containment, which prevents the release of tritium into the environment.

Commissioning results. The $^{83\text{m}}\text{Kr}$ generator itself was commissioned at Nuclear Physics Institute (NPI) Řež. For this, a T-piece equipped with a 1.4 mm-thick acrylic window was connected to the generator tubing. The amount of $^{83\text{m}}\text{Kr}$ within the generator was determined from the X-ray intensity with a Si(Li) detector (see figure 69). The zeolite $^{83}\text{Rb}/^{83\text{m}}\text{Kr}$ source had an initial ^{83}Rb activity of 1.3 GBq.

The commissioning of the GKrS was accomplished in two steps. In the first step, the $^{83\text{m}}\text{Kr}$ generator was attached and the count rates at a fixed MS retarding voltage of $-31\,800\text{ V}$ were monitored. In the second step, the K-32 electron conversion line was scanned and its energy spectrum was reconstructed. Additional details on conducting this operation safely can be found in [11].

The first commissioning step was successfully passed without a complete KATRIN beamline. The $^{83\text{m}}\text{Kr}$ from the generator, which was temporarily equipped with a beryllium window for monitoring the activity using an SDD, diffused into the WGTS via PP2F.

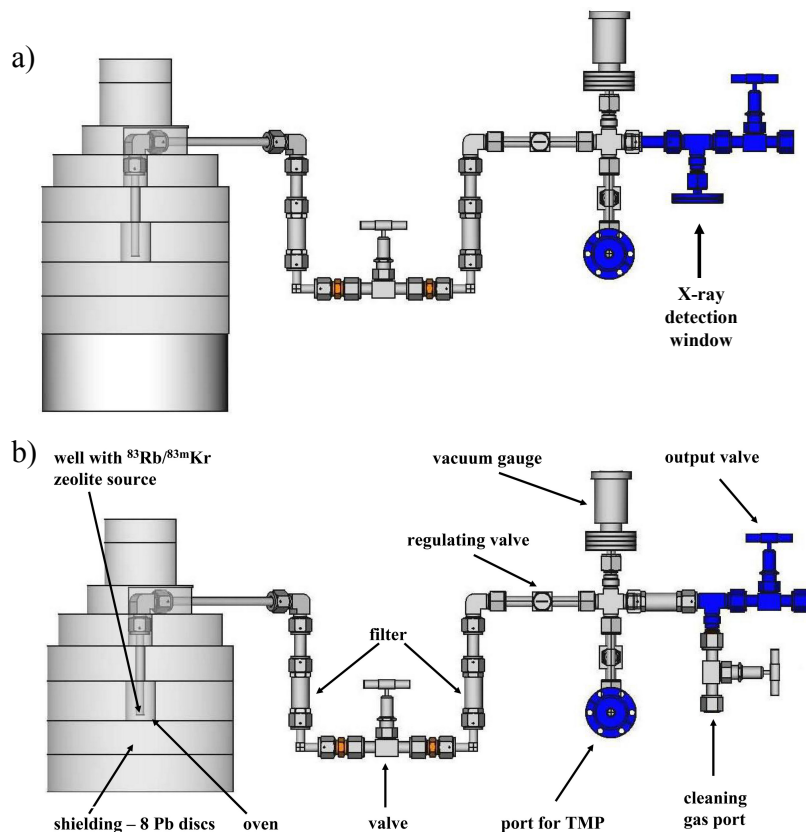


Figure 69. Schematics of the $^{83\text{m}}\text{Kr}$ generator. a) During commissioning an acrylic window for X-ray detection was installed. b) Final setup as installed at the KATRIN beamline, the X-ray detection window is replaced by the cleaning gas port.

Four detectors were operational during commissioning: three along the beamline (BIXS, FBM and FPD), and the SDD detector at the generator. After the generator outlet valve was opened, the measured count rates at each detector stabilized within ~ 30 minutes. The normalized count rates from three KATRIN detectors are shown in figure 72.

As expected, the observed count rate in the FPD and FBM decreased when the magnetic field of the WGTS was lowered. The BIXS system is not sensitive to changes in magnetic field, so its observed count rate did not change. At an MS retarding voltage of $-31\,800$ V, the conversion electrons from the 32 keV decay's M and N shells reached the FPD, at a count rate of ~ 23 kcps. Taking into account the probability of the parent ^{83}Rb decaying to a particular $^{83\text{m}}\text{Kr}$ isomeric state, the emanation factor, and several other correction factors, the final calculated yield of $^{83\text{m}}\text{Kr}$ is 0.16 %.

The FPD background rate at this setting was measured before and after the GKrS application, and was found to be (532 ± 12) mcps and (565 ± 12) mcps, respectively. The increase in background rate is not so significant, demonstrating that the long-lived ^{83}Rb is effectively trapped in the zeolite beads or in the generator filters, and therefore does not contaminate the KATRIN experiment.

The second step of the GKrS commissioning proceeded with the standard setup as described in section 7.7.3, except that the activity of ^{83}Rb in the source was 0.89 GBq.



Figure 70. The ^{83m}Kr generator and transport container of the $^{83}\text{Rb}/^{83m}\text{Kr}$ zeolite source. Shown here are: (a) secondary containment with the generator (b) installed inside, (c) power distribution cabinet, (d) oven controller, and (e) transport container.

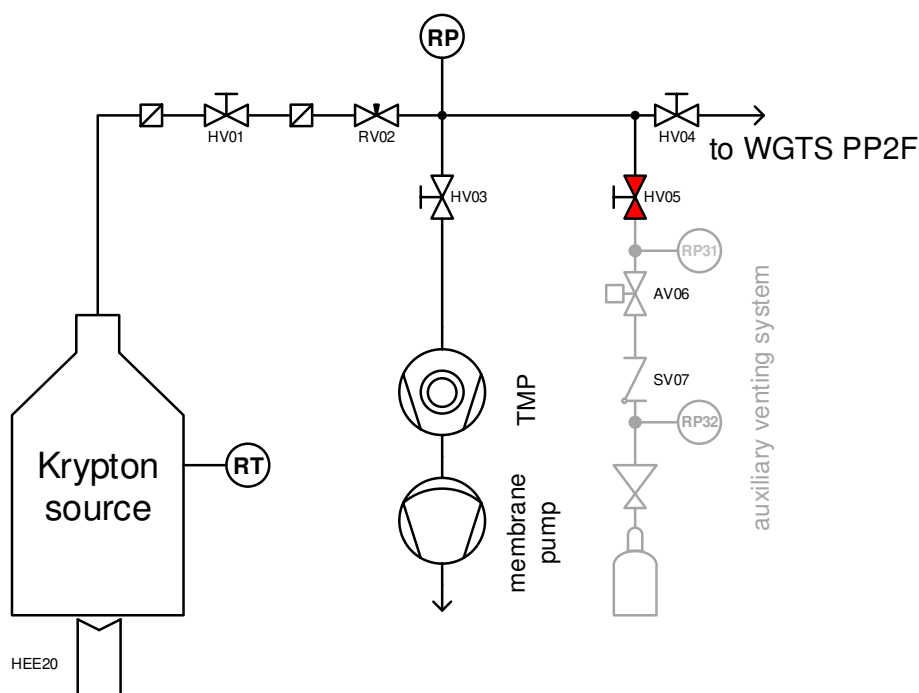


Figure 71. The schematics of the ^{83m}Kr generator control computer, which monitors the status of the vacuum valves and the set of **TMP** and membrane pumps.

After the generator outlet valve was opened, the **WGTS** pressure increased from 1.14×10^{-7} mbar to 1.24×10^{-7} mbar for about 30 s. This demonstrates that baking was suffi-

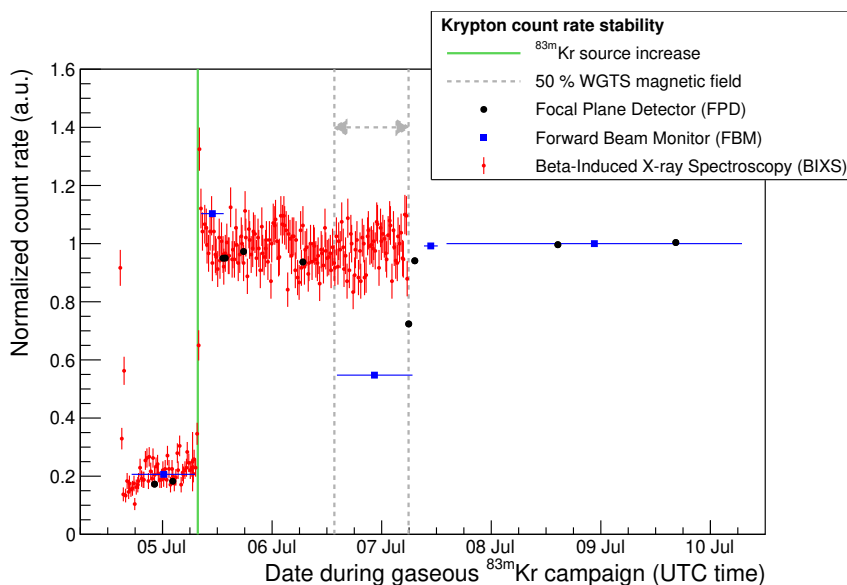


Figure 72. Time dependence of the normalized count rates from **FPD**, **FBM** and **BIXS** detectors. The data from all three detectors are normalized to those in their respective stable regions. The fivefold increase in count rate on all detectors is visible after the $^{83\text{m}}\text{Kr}$ flow was increased. The vertical lines indicate the dates when there were hardware changes. The statistical uncertainties in the **FPD** and **FBM** data are too small to be visible.

cient to remove residual gases in the zeolite beads. The electron count rate measured at the **FPD** stabilized within ~ 2 h, and the M and N conversion electron rate reached 40 kcps. Using a similar procedure as in the first commissioning step, the $^{83\text{m}}\text{Kr}$ activity visible to the **FPD** reached 2.1 MBq, with a yield of 0.4 %.

The analysis of a typical spectrum of K-32 electrons taken within 15 min (shown in figure 73) gave a nearly negligible statistical uncertainty in the line position (4 meV), which indicates an adequate **GKrS** intensity. Because the measurement was made with an admixture of D_2 gas, a characteristic step due to electron energy loss is visible in the spectrum. The **FPD** background rate was measured before and after **GKrS** application: (345 ± 5) mcps and (348.4 ± 2.3) mcps, respectively, indicating that the contamination of the **KATRIN** setup by ^{83}Rb is unlikely.

After stopping both the generator pumping and zeolite bead baking, a fast growth of $^{83\text{m}}\text{Kr}$ was observed, followed by a decrease with the ^{83}Rb half-life in just 18 h. This confirmed the expected half-life behavior. In terms of emanation, it was found that ~ 81 % of $^{83\text{m}}\text{Kr}$ produced in ^{83}Rb decay emanates into the vacuum if the zeolite source was baked at 200 °C and pumped for 3 h.

Further details on the development and the properties of the $^{83}\text{Rb}/^{83\text{m}}\text{Kr}$ zeolite source and $^{83\text{m}}\text{Kr}$ generator can be found in [157] and [131].

7.7.4 CERMAX lamp

The CERMAX lamp as described in section 3.4.3 was installed at the **KATRIN** experiment in early 2019. First tests show that the setup is working well under the given conditions. When the lamp is operated with 1000 W of electrical power, the photo-current at the **RW** is on the order

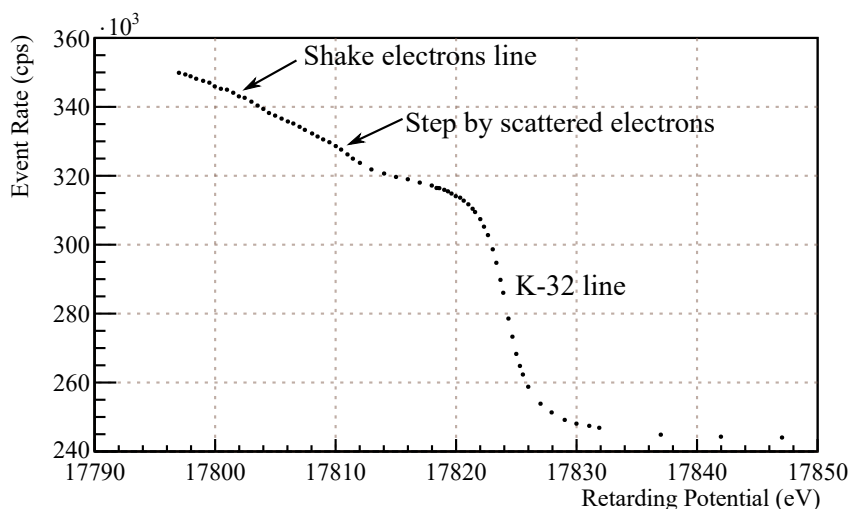


Figure 73. An example of the integral spectrum of K-32 conversion electrons measured in the broad energy range -26 eV to 18 eV, relative to the line position at $17\,824.2$ eV. Besides the main K line, the shake line and the step due to the inelastically scattered electrons are visible.

of $1.1\ \mu\text{A}$, which corresponds to $6.9 \times 10^{12}\ \text{e}^-/\text{s}$. This is about two orders of magnitude more than the number of β -electrons produced in the **WGTS**, or one order of magnitude more than the total electron rate in the **WGTS** (β -electron + secondaries). In order to check that the required homogeneity of $\pm 10\%$ over the whole **RW** can be achieved with the final setup, a measurement of the photoelectron distribution is necessary. However, due to the high rate, the spatial distribution cannot be measured with the **FPD** easily.

In contrast to the **FPD**, the **FBM** was designed to monitor the **WGTS** source stability and can handle high rates better. It has an energy threshold of about $5\ \text{keV}$, but low-energy photoelectrons can only be accelerated up to $500\ \text{eV}$ by applying a corresponding voltage to the **RW**. While this makes the **FBM** unsuitable for detecting individual electrons at low energies, it can still be used for homogeneity measurements because the high rate of electrons affects a change in the DC-offset of the p - i - n diodes.

A first proof-of-principle test has been performed and the result can be seen in figure 74. A change of offset voltage on the order of $10\ \text{mV}$ to $20\ \text{mV}$ is observed, depending on the diode, when the **FBM** is moved into the flux tube.

This method can be used to make a full 2D scan of the flux tube, thereby investigating the performance of the UV illumination. Results from these studies are expected in the near future.

8 Data management and control systems

8.1 Overview

The complex **KATRIN** experimental system is integrated in a modular and hierarchical data and control infrastructure. The requirements of this infrastructure are threefold. The system has to ensure the safe operation for personnel and the experimental system; it needs to be flexible in enabling smart control of all physically relevant parameters, and it must record in detail the status of the entire setup for data analysis and early data quality checks. In order to realize these

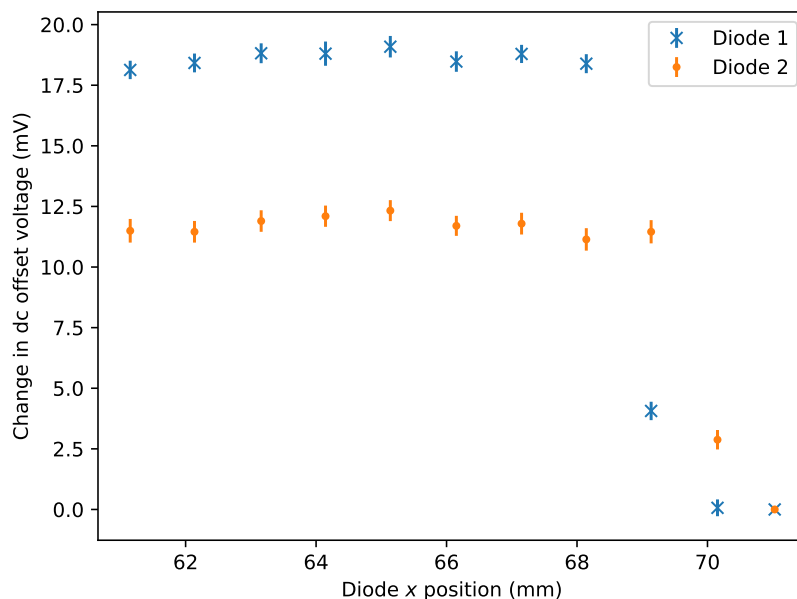


Figure 74. An FBM scan near the edge of the KATRIN flux tube with photoelectrons from the UV-illuminated RW. Only the change in the DC offset voltage is plotted relative to the value outside of the flux tube.

requirements, the data handling and control was split into three systems called *machine control*, *experimental control* and *data analysis*. The main elements of all three systems are shown in figure 75. In all three systems, user interfaces are connected to field-level devices and data storage via dedicated communication layers.

The *machine control* system is a closed system that ensures the highest safety requirements; for example, all tritium components need to fulfill strict tritium safety regulations. But there are also other critical components, such as the high voltage system or the heating and cooling system, whose failure can cause severe harm to operators or damage to the experimental system. All these components are integrated into the machine control system, or they can be deactivated by safety interlocks.

The *experimental control* system has been designed to give scientists a comprehensive overview of the experimental status, realize programmable control of any experimental control parameter, and read data from the central and auxiliary detector systems. An essential feature of the experimental control system is the uniform communication and data handling layer that extends to all integrated systems. Connected components at the user side are status displays and monitoring screens, data archival tools, and the run control system. Detector systems and monitoring and control devices are integrated on the field-level side. Where safety protocols need to be enforced, an interlock controlled by the machine control system is realized. Data from all devices, detectors, and the machine control system are stored in the central data storage.

The *data analysis* system is a framework tailored to the needs to process experimental data automatically and to perform rapid data evaluations. The analysis system is independent of the two control systems: all recorded data is replicated from the data storage located in the experimental

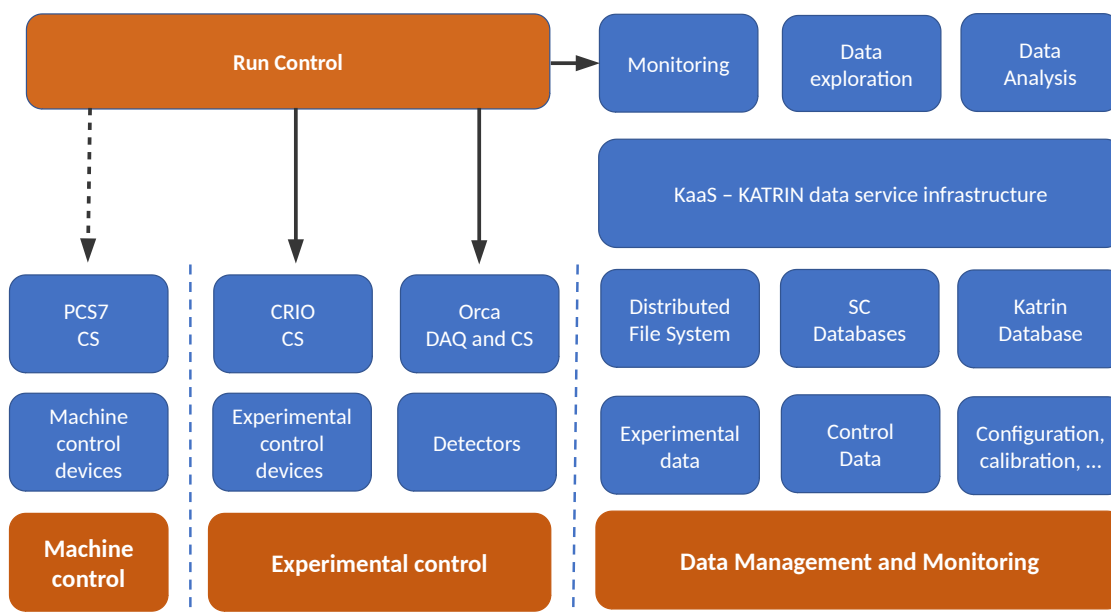


Figure 75. Overview of user interfaces (top); communication services (middle) and field-level devices and data storage (bottom) in *machine control*, *experimental control* and *data analysis system*.

control system. The automatic data analysis tasks process control system data and combine it with detector data. All this data is available for further analysis by a dedicated data infrastructure consisting of several databases and web services. Access to the experimental data is provided via web front-ends used for manual monitoring, and a set of software libraries that allow analysis tools to process run and slow-control data. Data storage and computing resources of the analysis system are embedded in a cloud platform called [KATRIN as a Service \(KaaS\)](#) to ensure reliability and scalability of the analysis services.

To ensure a reliable connection between the control systems and the integrated field-level devices, a redundant local network ring is constructed around the experimental site. In total 24 optical fibers are available to realize 12 independent network segments. This network infrastructure is used for machine control and experimental control.

Figure 76 illustrates the [KATRIN](#) control networks and the data flow in the archival system. A significant part of the infrastructure runs in dedicated virtual machines on a single powerful server equipped with VMWare ESX virtualization stack. The virtual machines include the primary slow control database, [Central DAQ and Control System \(ZEUS\)](#), and [Open Platform Communication \(OPC\)](#) archiving appliance. The strict separation of the [KATRIN](#) experiment in two segments inside (see sections 3, 4, 7.2, 7.3, 7.4, 7.7) and outside (see sections 5, 6, 7.5, 7.6) of [TLK](#) required the doubling of the control infrastructure. These are two identical subsystems, where one monitors components in the tritium part and the other is responsible for non-tritium devices. Both systems archive the data and provide access to control variables for the [KATRIN](#) run control system. The control access is restricted to the non-tritium sections of the [KATRIN](#) experiment. The archived data is available for monitoring purposes within the local [KATRIN](#) experiment network but is also immediately transferred to the main [KATRIN](#) data servers in the data center using replication mechanisms integrated into Microsoft SQL Server.

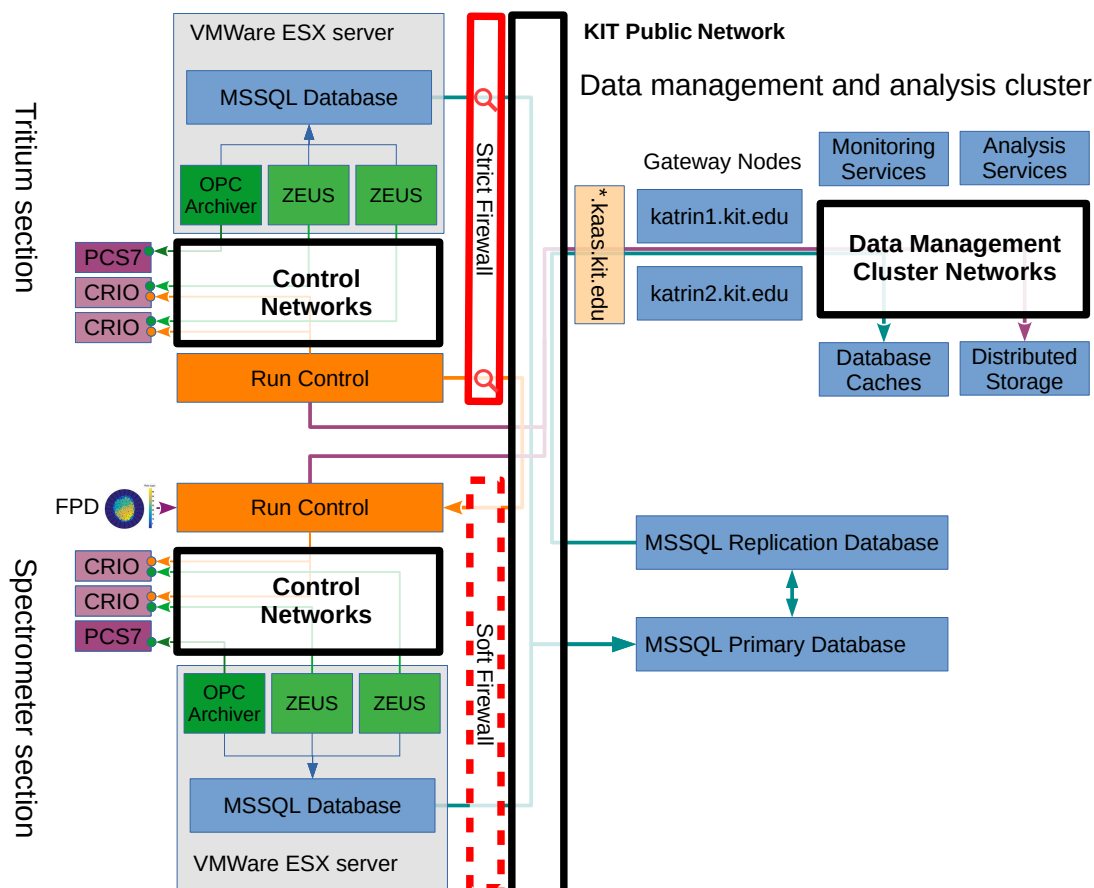


Figure 76. Simplified scheme of [KATRIN](#) control networks and data flow.

Section 8.2 describes the machine control system. Section 8.3 presents the experimental control system, including monitoring, run control, archival, and the data and communication infrastructure. Section 8.4 introduces the concepts and realization of the analysis system, the [KaaS](#) cloud infrastructure, data organization, automatic data processing, and the analysis tools.

8.2 Machine control system

The machine control system can be operated by on-site experts only and controls critical hardware such as beamline valves and cryogenic components. The system consists of two parts: source and transport section (tritium components), and spectrometer and detector section (non-tritium components).

For both components, a custom Siemens [SIMATIC PCS 7 distributed control system \(PCS7\)](#) library has been developed. It meets the stringent regulations of nuclear facility operations in Germany. In order to reduce the number of software environments and to have the same look-and-feel for the operators, the same library was also used for the non-tritium part of [KATRIN](#). The machine control system integrates all tritium source components, and the spectrometer vacuum

and heating/cooling system. These components are typically operated in a static mode and do not require scripting. The operation of these components is limited to access by dedicated PCS7 stations in the KATRIN control room. Remote operation is not allowed.

The interface of the machine control system is simplified to guarantee the safe operation of the devices in machine control. Still, a few interfaces are necessary for the normal operation of KATRIN. This exception allows for data archival and control by scripting of certain devices. These devices need to be synchronized with the experimental control system, and at the same time must be supervised because of safety requirements.

An example of safety-critical systems that require experimental control is the high voltage (HV) system (section 5.3). The experimental control system (section 8.3) is used to define the setpoints of individual voltages, usually by predefined scripts in the run control system. However, an emergency shutdown of the HV system components could be triggered by the machine control system. For instance, the HV is turned off in case of a sudden pressure rise in the vacuum system. The control system therefore continuously evaluates the global failure status and deactivates HV operation and the experimental control of the HV system if necessary.

All sensor data are recorded in an internal PCS7 database and are archived by the KATRIN data management system via an OPC server. This information from the machine control system is made available to the experimental control system for monitoring and data analysis. An interface is integrated into the data service layer of the experimental control system. In total, 2752 sensors in 108 groups are integrated in the machine control system. The typical sampling rates are in the range of 1 s to 10 s.

8.3 Experimental control system

The experimental control system is responsible for defining the experimental parameters and for acquiring all relevant information for data analysis. The operation of the KATRIN experiment is carried out by automated control scripts and, if necessary, can be manually adjusted by control room operators. The system includes devices for the monitoring and control of KATRIN instrumentation and the data archival system (slow control system). It also includes the run control system, which manages the detector readout and controls certain experimental parameters that need to be adjusted dynamically.

The main experimental devices are calibration sources, the monitor spectrometer, high voltage system, FBM, the air-coil system, and the detector system. Most of the slow control systems are implemented in LabView using compact Reconfigurable Input Output (cRIO) hardware from National Instruments. In total, 54 devices with a total of 2994 sensors are connected to the system. Typical sampling rates are in the range of 1 s to 10 s.

The monitoring and control systems are integrated into the data management infrastructure. The status of all affiliated devices from both the experimental and machine control sections is continuously recorded in the slow control database. The data logging is performed using a legacy ZEUS [57] control system for cRIO devices. The parameters of PCS7 subsystems are queried using OPC protocol by a special archiving appliance. In both cases, Microsoft SQL Server instances are used to store the data (see figure 78). cRIO devices with adjustable parameters are also integrated with the run control system using a standard network connection and a custom TCP-based protocol. No experimental control is foreseen for PCS7 devices. The parameters of the system can only

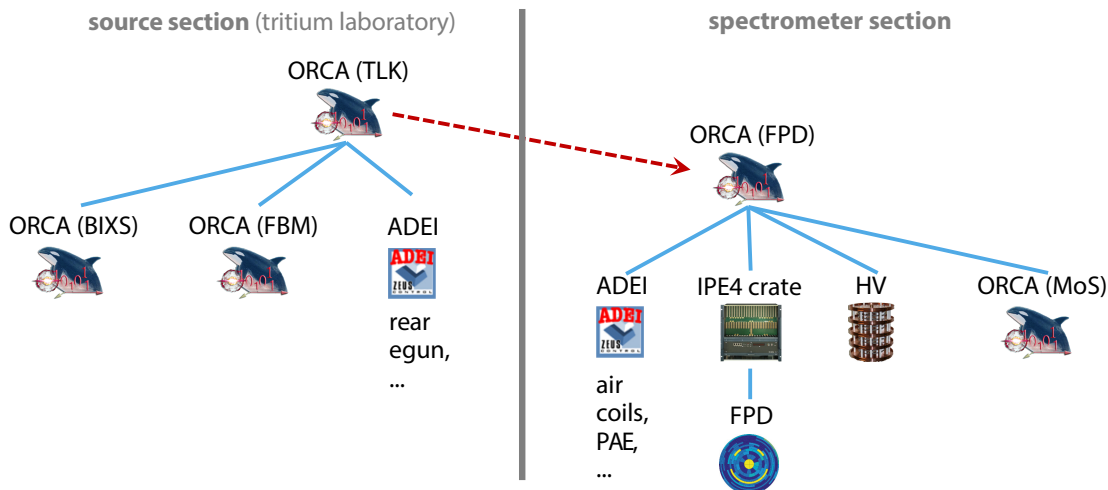


Figure 77. Hierarchical setup of the run control system. It integrates devices from the tritium and the non-tritium parts of **KATRIN**.

be changed from within the restricted local network. The values can be changed either manually by control room operators using the implemented **Human-Machine Interface (HMI)** interfaces, or through the run control system with automated scripts.

The run control is implemented using the **ORCA DAQ** software [94]. Scripting and graphical interfaces enable the control of the detector system and the configuration of experimental parameters. All current and historical data stored in the **KATRIN** data management system is available to **ORCA** through dedicated **Representational State Transfer (REST)** services. To adjust slow control parameters, a special **ORCA** object implements a TCP server that supplies the configured parameter set values to the **cRIO** systems upon request. In addition, dedicated objects in **ORCA** communicate directly with some devices integrated into the experimental control system, such as the high voltage system and the detector front-end electronics. Parameters of these objects are controlled in run scripts, e.g. the **MS** voltage to perform a neutrino mass scan.

The run files acquired during the experiment are first stored locally and are then transferred to the data management cluster with `rsync`.⁷² This step is repeated in regular intervals of 1 min to 15 min.

In order to access all relevant systems of the **KATRIN** experiment, a hierarchical run control setup has been realized as shown in figure 77. The **ORCA DAQ** system at the **FPD** takes detector data and enacts the voltages at the main spectrometer via a direct connection to the high voltage system. The **FPD** can be remotely controlled from a source section **ORCA** system in the **TLK** for dedicated measurements. The **TLK** system also controls other detector and control systems inside the **TLK**. The **FPD** system controls the **MoS** system during neutrino mass runs to coordinate data acquisition.

8.4 Data management, monitoring, and analysis system

The design of the **KATRIN** data management system uses an on-premise cloud architecture aimed to simplify maintenance and ensure resilience against both hardware and software failures. The system

⁷²<https://rsync.samba.org>.

is characterized by a high intensity of data flow and a relatively large archive of historical data. The three main data sources are the machine control system, experimental control system, and the FPD. About 6000 sensors are continuously monitoring the operating parameters of all components of the KATRIN infrastructure. Both machine and experimental control systems contribute about equally to the total data rates and the number of connected sensors, as shown in figure 78. The cumulative bandwidth from sensor data is roughly 6 TB per year. The run data recorded at the FPD and MoS detectors are stored in a distributed file system. The data is taken in the raw ORCA data format and then converted to ROOT [158] files by automatic processing scripts. For other detector systems, the data is processed in a similar manner. The combined average data rate is about 10 TB per year and expected to grow while the experiment is running. By the end of 2020 the experiment had accumulated a total data volume of about 50 TB.

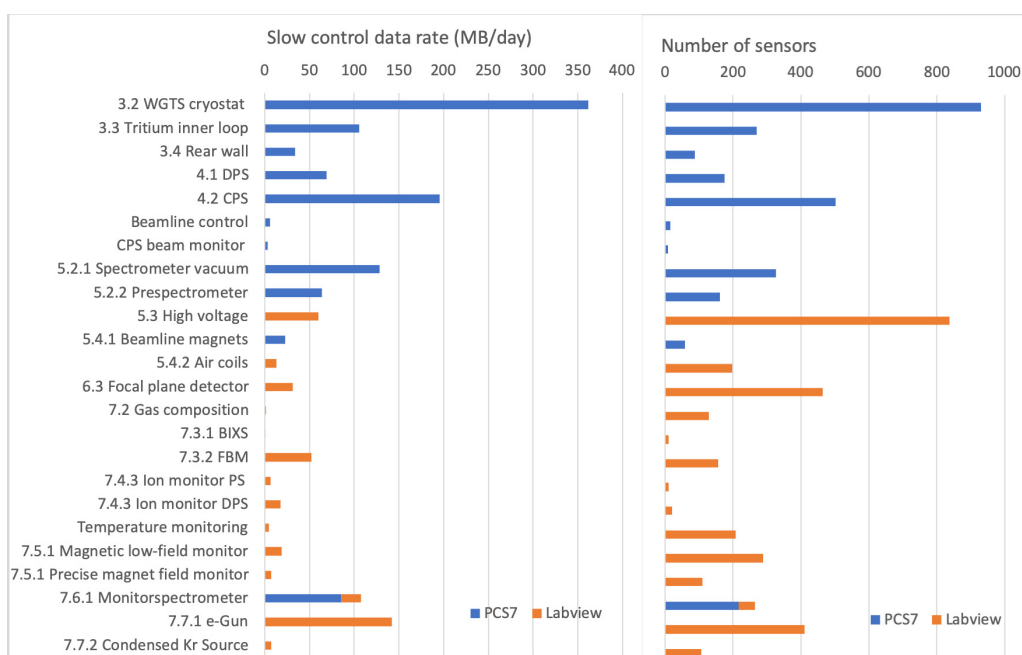


Figure 78. Overview of the partitioning of machine and experimental control system. For each component described in the previous sections, the number of slow control sensors and the typical data rate are given.

The architecture of the analysis platform is shown on figure 79 and is described in detail in the following subsections.

8.4.1 KaaS cloud platform

The KaaS platform implements the data management and analysis cluster (figure 76), providing both database functionalities and applications for data access. Some of these applications are further detailed in the following sections.

KaaS is operated on top a 3-node cluster and is based on the RedHat OpenShift⁷³ 3.7 orchestration technology. The file storage is realized using the RedHat GlusterFS distributed file system, where 3-way data replication is used to ensure data safety. The slow control data is

⁷³<https://www.openshift.com/>.

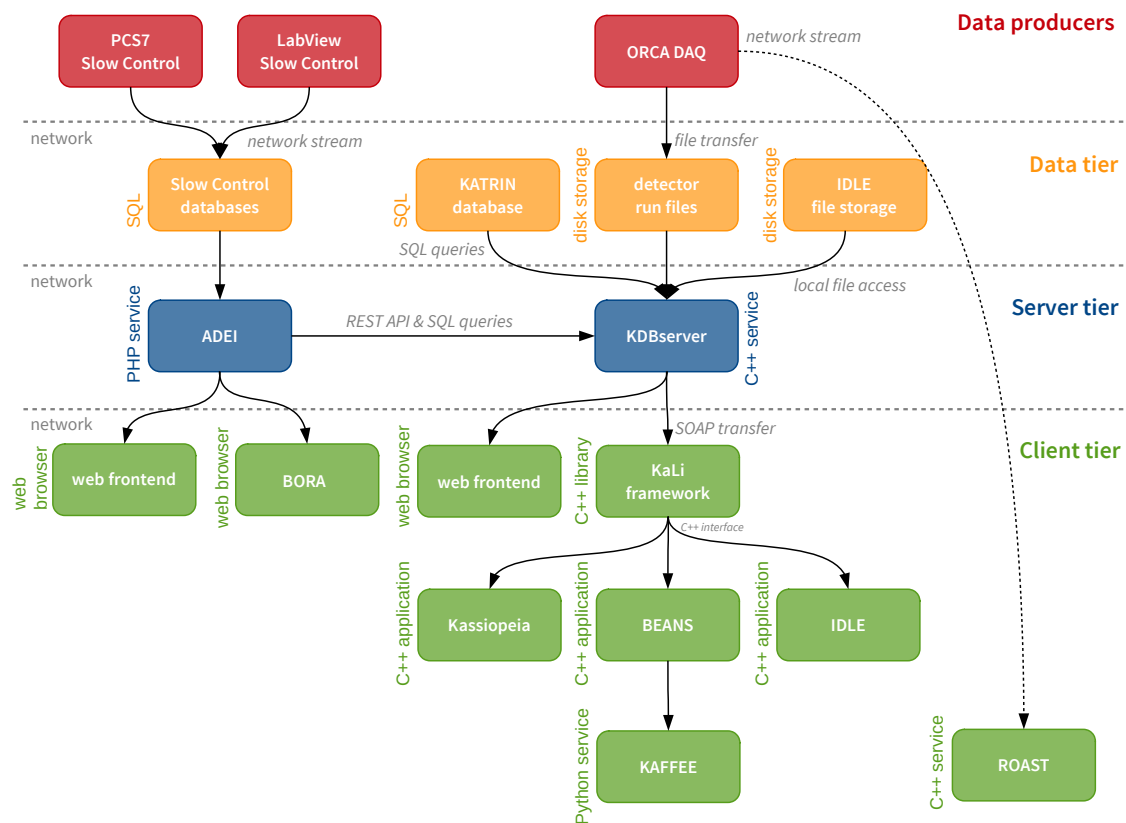


Figure 79. Data handling components, data layers, format and protocols.

stored in Microsoft MSSQL servers with 2-way replication to increase both data redundancy and performance. The software running in the OpenShift cloud consists of several distinct subsystems and includes both offline data processing tasks and online web services to handle user requests. The offline tasks are generally used for automatic data processing, quality control, and data compression. For instance, all incoming data from the slow control systems are validated against configured critical thresholds.

To provide users with quick overviews of the system behavior over extended periods, the slow-control data is continuously aggregated to generate minutely, hourly, and daily time-series. These generated statistics are cached in the replicated MySQL database and are used by the [Advanced Data Extraction Infrastructure \(ADEI\)](#) platform [159] for real-time visualization of data which may span multiple terabytes in the raw form. [ADEI](#) allows users to explore, manage, and visualize large archives of time series. It also offers a [REST Application Programming Interface \(API\)](#) to provide structured access to slow control data for all other system components. The [personalized collaBORative data display \(BORA\)](#) framework is used to build status monitoring displays for [KATRIN](#) operators. Currently, more than 20 status displays periodically query data from [ADEI](#) to display different aspects of the experiment. The monitoring systems generate a significant load on the system, producing several hundred queries per second with an average data rate of roughly

20 MB/s from the caching database. The [KATRIN Database \(KDB\)](#) server integrates access to slow control and detector data for data analysis and provides a web interface to view the integrated data sets. Due to its role in the analysis of neutrino-mass runs, [KDB](#) experiences uneven, large load spikes after major data-taking campaigns.

The OpenShift infrastructure allows us to reliably run a large collection of heterogeneous components developed by the international collaboration over more than a decade. These applications often depend on conflicting versions of software components, including deprecated and sometimes unstable versions. The container technology allows us not only to isolate the environment of each component but also to limit the impact that failures in one component might have on others and on overall system stability. The OpenShift system further provides high availability and scalability. Failed components are restarted automatically, and running components can be easily migrated in case of failing nodes in the cluster.

8.4.2 ADEI data management platform

The [KATRIN](#) control systems integrate custom and commercial components from various vendors. Many different data formats, underlying storage engines, and workflows are used to store the data. The [ADEI](#) platform integrates all available data sources and makes them available to users in a uniform, comprehensible, and easy-to-use fashion [159]. It includes a layer of abstraction to ensure a stable [API](#) over the course of the experiment and the development of its analysis, regardless of changes to the data format, the number of data streams, or the underlying databases. [ADEI](#) is also fully integrated with the OpenShift cloud platform to provide a highly available service to users and to auto-scale under increased load.

The most prominent implementation of the [ADEI](#) web services is the interactive [KATRIN](#) data portal, which provides graphical access to data from all slow control systems. Figure 80 shows a screenshot of this portal and its hierarchical list of the available data sources. The user can select a time interval and value range graphically in the display plot area. To improve performance, we use intelligent aggregation techniques to distill a few thousand data points from the millions that may span the time interval. As a result, the complete plot-generation time usually does not exceed 500 ms. Every generated view of the data portal can be retrieved with a unique, persistent reference that can be included in documentation or electronic communication.

8.4.3 BORA status monitoring framework

To simplify the overall architecture, the monitoring subsystem is designed as part of the data management infrastructure and executed on the [KaaS](#) platform. Data from a variety of [KATRIN](#) components is queried using [ADEI](#) interfaces. The introduced latency of typically 10 s to 20 s from this approach is within the requirements for our monitoring systems.

Due to the complexity of the [KATRIN](#) setup, individual status displays are required for each component. Different modes of operation often require adjusted displays for the same subsystem. The [BORA](#) framework is provided to simplify the design and configuration of status displays. It offers graphical design tools to associate sensors in [ADEI](#) with a configured visual representation, which can be viewed by users in their web browser. For each display, several hundreds of sensors can be selected from the sensor inventory and placed as needed on the process image. Figure 81 show a [CPS](#) status page in the designer view and in operation. Once configured, the status is

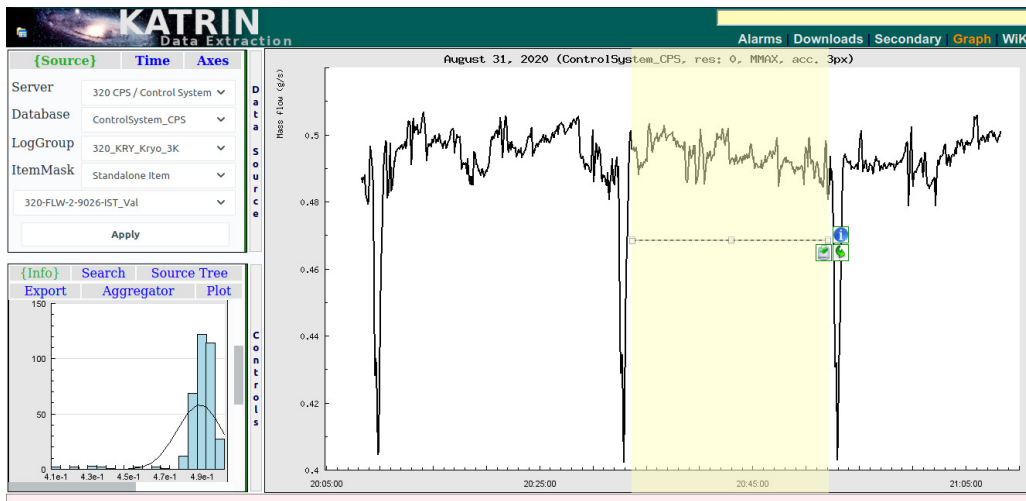


Figure 80. KATRIN data web portal for near-time access to recorded slow-control data. The user can select a time interval and value range graphically in the display plot area (yellow box).

updated every 10 s and is available to the control room operators, but also to off-site collaborators via internet access.

8.4.4 Processing of run data

Measurement runs are taken with the [ORCA](#) software at the [FPD](#), the [MoS](#) and the [FBM](#) sites.⁷⁴ The data is first stored locally on the [DAQ](#) machine and then transferred to the [KaaS](#) cluster for automated processing and data distribution. Here a processing chain is implemented where the run files are converted into the [ROOT](#) [160] data format and registered in a dedicated database [161] to make these runs available for further analysis.

The run processing works as follows:

1. The run files are transferred to the cluster via the [rsync](#) software and stored on a distributed filesystem. This step is repeated in regular intervals to synchronize with the individual remote detector systems.
2. Each run file is then converted from the raw [ORCA](#) file format into a [ROOT](#) file, which stores all data fields in a tree structure where they can be easily accessed. Most runs are taken in so-called energy mode, where one entry corresponds to a single electron event; other data structures are used in some cases (see table 7). During the conversion process, the events are also sorted by acquisition time and the data is checked for consistency. This step improves the performance of user-space analysis tools, which typically iterate over detector events.
3. [ORCA](#) assigns sub-run numbers to specific time intervals of programmable length within a run. Sub-runs are typically used to represent a retarding voltage step during the [KATRIN](#) β -scans. The [ROOT](#) files are indexed on the sub-run level to improve performance when accessing data during analysis. Indices are added for the first and last events of a given type in each sub-run, allowing fast access to the corresponding sub-set of events in an entire run.

⁷⁴In 2019, the FBM switched from [ORCA](#) to a different data acquisition system.

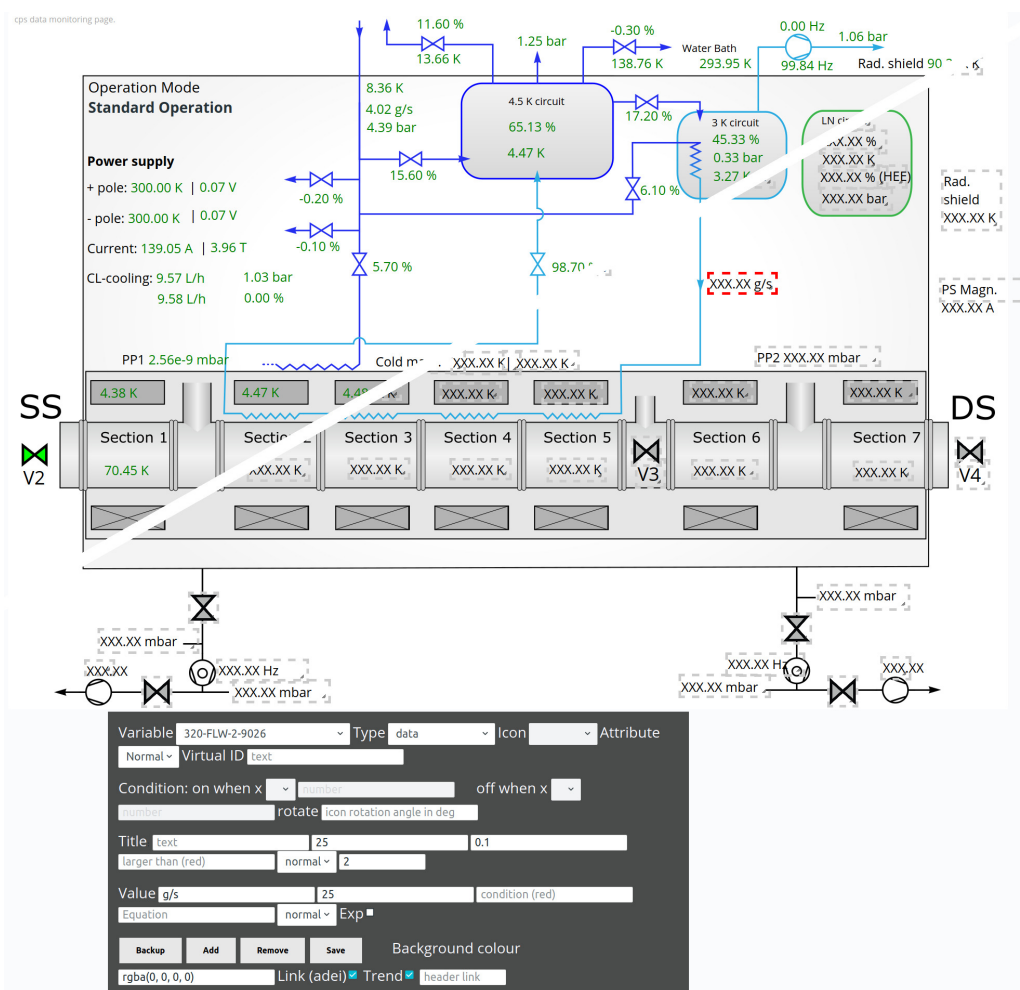


Figure 81. BORA status display for ADEI; an operation example for the CPS. Composite picture of data display (upper left) and design mode (bottom right).

4. The processed runs are added to a central [Structured Query Language \(SQL\)](#) run database that is part of the [KDB](#) server. Each run and sub-run is added to a data table that contains the run number, start and end time, and other parameters. The corresponding run files (in [ORCA](#) and [ROOT](#) formats) are transferred to a central location on the distributed filesystem, where they can be accessed by users through the [KDB](#) interface.
5. A web service provides access to the run database and file storage. Analysis tools can look up and access any processed run. When an analysis is carried out, the corresponding [ROOT](#) file is downloaded to the local system where it can be accessed by the user. Checksum and caching mechanisms ensure data consistency and reduce unnecessary server load.

8.4.5 Databases for run and sensor data

In addition to the run data, there is also data from various sensor and monitoring systems which is taken continuously when the experiment is running. Examples are temperature and pressure

readings, electric currents and voltages, or measurements from magnetic field sensors. This slow-control data is stored into [SQL](#) database tables and can be accessed through [ADEI](#) interfaces.

To make this data available to analysis tools, an intermediate database layer is added in [KDB](#) to map individually named sensors to the corresponding table of the slow-control database [161]. This is necessary because the data paths in [ADEI](#) can change with the experimental setup, while the analysis tools should not be aware of such low-level modifications.

Sensors and components are therefore referenced by a static label, the so-called [KATRIN](#) number, which is constructed with several groups and generally follows the format `NNN-XXX-M-nnnn-ZZZZ`. The groups are: `NNN` a 3-digit number referencing a sub-system (e.g. 200 for the [WGTS](#)); `XXX` a 3-character string for the sensor type (e.g. RTP for a temperature sensor); `M` a number for safety information (e.g. 3 for parts of the main beam line); `nnnn` a 4-digit number referencing an individual sensor system; and `ZZZZ` a 4-digit number referencing an individual channel of the sensor. For example, the reading of the central temperature sensor at the [WGTS](#) beam tube has [KATRIN](#) number 200-RTP-3-5112-0001.

The sensor database is implemented with [SQL](#) and part of [KDB](#), along with the run database explained earlier. The advantage of this system is that it provides a consistent mapping, which can be adjusted in case the structure of the underlying slow-control database changes, for example, when new sensor channels are added after hardware upgrades or when sensors are regrouped. This applies both to LabView and [PCS7](#) sensors. Furthermore, the database allows the definition of calibration functions for each mapped sensor channel, and analysis tools can choose between raw or calibrated data depending on their specific use case. Additional database tables exist for additional parameters of a sensor, such as geometrical position or alignment (useful for the definition of the simulation model) or definitions for automated data quality filtering of measurements.

The organization of this data in a central database provides a consistent access method for the analysis tools and allows the sensor mappings, calibration curves, and other content to be updated as necessary. To provide a means of consistency, all database entries are defined with an *entry timestamp* (when they were added to the database) and a user-defined *validity start timestamp*. A given entry is valid when the current time is equal to or later than the validity start timestamp. If multiple entries exist for this criterion, the entry time is used to select the most recent entry. Thus, only one valid entry can exist in the database at any given time. The database does not allow to change existing entries, and in order to update the database, a new entry must be created with the same or newer validity start timestamp. By this mechanism, it is ensured that existing entries and their validity time intervals are not modified accidentally, and all database changes can be traced back over time.

Access to the database is provided through the [KATRIN Library \(KaLi\)](#) software [161]. It is written in C++ and provides an object-oriented class structure that resembles the database contents; for example, there are classes that correspond to runs, sub-runs, sensor data, and so on. When the data is accessed by analysis tools, it is first serialized at the web service layer into an [eXtensible Markup Language \(XML\)](#) data stream via the [Simple Object Access Protocol \(SOAP\)](#) [162] framework. The stream is then transferred to the client over an HTTP connection, and de-serialized on the client side into C++ class objects that are then further processed by the analysis software. The implementation using [SOAP](#) allows for consistent data handling on the server and user side by the same software framework. In addition, a web interface for managing database contents

is implemented using the Wt library⁷⁵ This interface can be used to list and update database contents such as sensor mappings or calibration functions. Additional user-space applications exist to quickly list information from the database, for example, to view sensor data over the period of a given run.

8.4.6 User-side analysis tools

The user-side analysis is divided into two layers. The first layer analyzes event-level and time-series level data and digests them into tables, histograms, graphs, and/or reduced data sets in [JavaScript Object Notation \(JSON\)](#) (or equivalent formats) to be further processed by the second analysis layer. Typical second-layer analyses include fitting and Python-based scripting on data graphs and histograms. In between the analysis layers lies the [Intermediate Data Layer for Everyone \(IDLE\)](#) software, which facilitates storing, managing, and distributing user analysis outputs. Some simulation outputs are also stored in [IDLE](#). The [IDLE](#) storage and database system is implemented as part of [KDB](#).

A core tool in the first-layer analysis is the [Building Elements for ANalysis Sequence \(BEANS\)](#) C++ library that reads [ORCA](#) event data (from an [ORCA-ROOT](#) file) and slow control time-series data from [KaLi](#) and produces analysis results in a [ROOT](#) file and/or in [JSON](#) (or equivalent format) document. Analysis logic in [BEANS](#) is described as a linear chain of unitary analysis actions, following concepts similar to the functional programming paradigm⁷⁶ as opposed to imperative programming, which is common in nuclear and particle physics data analysis with C++ [163]. This allows users to quickly construct analysis programs out of existing elements, and at the same time, it serves as an intuitive framework on which analysts can collaborate and exchange their developments.

User analysis logic in [BEANS](#) can be constructed without C++ coding. Instead, a configuration file in [JSON](#) (or equivalent format) is used to implement an identical analysis chain. A web-based GUI tool ([VisualBEANS](#)) to build [BEANS](#) configuration files is provided to quickly construct analysis scripts without coding and compiling. As a dedicated platform software, [Realtime Orca Analysis on Streaming \(ROAST\)](#) connects [BEANS](#) scripts and real-time data broadcasting from [ORCA](#) systems.

By a combination of these tools, various analysis scripts could be developed quickly on-site during normal operation. They are extensively used for near-time and real-time analysis and monitoring of [KATRIN](#) commissioning runs.

Routine user analysis tasks are automated by the [Katrin Automation Framework for Fpd Examination and Evaluation \(KAFFEE\)](#) software, originally developed for [FPD](#) commissioning. [KAFFEE](#) automatically identifies the types and contents of the data files, and automatically runs analysis programs according to the configuration. For example, it generates reduced data files (so-called “Run Summary Documents”) for tritium runs, applies quality filtering according to a list of measurement types, and performs automated analysis for detector calibration runs. The output files of the analyses are then scanned by [KAFFEE](#) and indexed in a document-oriented database that serves as an analysis catalog. A web interface is provided to browse the catalog contents, along with quick interactive analysis functions such as histogram fitting in the web browser.

⁷⁵<https://www.webtoolkit.eu/wt>.

⁷⁶Functional programming is a declarative programming paradigm where programs are constructed by expressions that each return a value, rather than by a sequence of imperative statements that change the internal state of the program.

The Run Summary Documents, which are [JSON](#) (or equivalent format) documents primarily used as input to tritium spectrum fitting, contain highly digested (sub-)run data such as the detector counts with efficiency corrections, the retarding voltage, the source temperature, tritium pressure, gas throughput, isotopologue composition provided by [LARA](#), and so on. These are typically produced by [KAFFEE](#) automation with [BEANS](#) scripts, and stored in [IDLE](#). Some simulation outputs and calibration analysis results used for tritium spectrum fitting, such as field maps of the analyzing plane or the column density determined from routine calibrations, are also stored in [IDLE](#) in the same format. [IDLE](#) implements file version control with validity periods and file access permission levels. Data blinding to tritium runs makes use of these control features. The files stored in [IDLE](#) are distributed through [KaLi](#), taking advantage of [KaLi](#)'s cache mechanism.

9 Summary

This paper outlines the technical challenges overcome and the milestones achieved in getting the experimental setup ready to take data. All systems, including monitoring and calibration subsystems, necessary for [KATRIN](#) neutrino mass measurements are complete and have passed (or surpassed) their design requirements.

Since work on this paper began, the [KATRIN](#) experiment has published results from a number of successful measurement campaigns [[11](#), [43](#), [164](#)] and established a new, improved upper limit on the neutrino mass [[2](#)].

And while the possibility for future upgrades is left open, this paper represents a snapshot of the state of the [KATRIN](#) experiment, as of the first neutrino mass campaign: ready for operation, ready for data.

Acknowledgments

We are grateful to [Karlsruhe Institute of Technology \(KIT\)](#) for hosting and continuously supporting the [KATRIN](#) experiment in many different ways. We are deeply indebted to the staff of all the workshops at [KIT](#) and at all our other institutes for the great developments and constructions, without which this unique experiment would never have been possible. We greatly appreciate the many services at [KIT](#), such as project management, quality control, supply of liquid helium, etc. We would like to thank [KIT](#), all our institutions, the scientific community and the funding agencies, who have always believed in the success of this experiment, despite the delays of this difficult experiment, which was pushed to the limit of what is technically feasible.

We would also like to add our heartfelt thanks for the invaluable contributions and guidance of collaborators who have passed away, including H. Bichsel, J. Bonn, B. Freudiger, V. M. Lobashev, E. W. Otten.

We acknowledge the support of Helmholtz Association, Ministry for Education and Research BMBF (5A17PDA, 05A17PM3, 05A17PX3, 05A17VK2, and 05A17WO3), Helmholtz Alliance for Astroparticle Physics (HAP), Helmholtz Young Investigator Group (VH-NG-1055), and Deutsche Forschungsgemeinschaft DFG (Research Training Groups GRK 1694 and GRK 2149, and Graduate School GSC 1085 — KSETA) in Germany; Ministry of Education, Youth and Sport (CANAM-LM2015056, LTT19005) in the Czech Republic; Ministry of Science and Higher

Education of the Russian Federation under contract 075-15-2020-778; and the United States Department of Energy through grants DE-FG02-97ER41020, DE-FG02-94ER40818, DE-SC0004036, DE-FG02-97ER41033, DE-FG02-97ER41041, DE-AC02-05CH11231, DE-SC0011091, and DE-SC0019304, and the National Energy Research Scientific Computing Center.

Glossary

FirstTritium The first tritium measurement campaign of **KATRIN** was performed over a few weeks during spring 2018. Uses only small amounts of tritium, amounting to 0.5% tritium atoms in a D₂ carrier gas. The goal was to verify that all safety measures were in place, and perform some commissioning [43].

KATRIN The KArlsruhe TRItium Neutrino **KATRIN** experiment, which aims to make a precision measurement of the effective neutrino mass, to a design sensitivity of 0.2 eV at 90% C.L. after 5 years of taking data.

Acronyms

ADEI Advanced Data Extraction Infrastructure.

AP analyzing plane.

API Application Programming Interface.

BEANS Building Elements for ANalysis Sequence.

BIXS β -Induced X-Ray Spectroscopy.

BORA personalized collaBORative data display.

BT1 Beam Tube 1.

BT4 Beam Tube 4.

BT5 Beam Tube 5.

BTE beam tube element.

CKrS Condensed ^{83m}Kr Source.

CMS Calibration and Monitoring System.

CPS Cryogenic Pumping Section.

cRIO compact Reconfigurable Input Output.

DAQ Data acquisition.

DET “Detector magnet”.

DPS Differential Pumping Section.

DVM precision digital voltmeter.

e-gun electron gun.

EMCS Earth Magnetic field Compensation System.

FBM Forward Beam Monitor.

FLT First Level Trigger.

FPD Focal Plane Detector.

FSD Final State Distribution.

FT-ICR Fourier Transform Ion Cyclotron Resonance.

GKrS Gaseous ^{83m}Kr Source.

HMI Human-Machine Interface.

HOPG Highly-Oriented Pyrolytic Graphite.

HTTP Hypertext Transfer Protocol.

IDLE Intermediate Data Layer for Everyone.

IE inner wire electrode system.

IL Inner Loop.

ISS Isotope Separation System.

JSON JavaScript Object Notation.

KaaS KATRIN as a Service.

KAFFEE Katrin Automation Framework for Fpd Examination and Evaluation.

KaLi KATRIN Library.

KATRIN KARlsruhe TRItium Neutrino .

KDB KATRIN Database.

KIT Karlsruhe Institute of Technology.

LARA Laser Raman Spectroscopy.

LDLS Laser-Driven Light Source.

LFCS Low-Field Correction System.

LN2 liquid nitrogen.

MAC-E Magnetic Adiabatic Collimation with Electrostatic.

MoS Monitor Spectrometer.

MS Main Spectrometer.

MTD Measurement Time Distribution.

NEG non-evaporable getter.

NPI Nuclear Physics Institute.

OL Outer Loop.

OPC Open Platform Communication.

ORCA Object oriented Real-time Control and Acquisition.

PAE Post Acceleration Electrode.

PCH “Pinch magnet”.

PCS7 SIMATIC PCS 7 distributed control system.

PP2 Pump Port 2.

PP2F Pump Port 2F.

PP5 Pump Port 5.

PPE pump port element.

PS Pre-Spectrometer.

PS1 Pre-Spectrometer magnet 1.

PS2 Pre-Spectrometer magnet 2.

PSU Power Supply Unit.

PULCINELLA Precision Ultra-Low Current Integrating Normalization Electrometer for Low-Level Analysis.

REST Representational State Transfer.

RMMS Radial Magnetic Monitoring System.

ROAST Realtime Orca Analysis on Streaming.

RS Rear System.

RSCM Re-condensing Superconducting Magnet.

RW Rear Wall.

SBC Single Board Computer.

SCS slow control system.

SDD Silicon Drift Detector.

SiPM Silicon Photomultipliers.

SOAP Simple Object Access Protocol.

SQL Structured Query Language.

TDR technical design report.

TILO Test of Inner Loop.

TLK Tritium Laboratory Karlsruhe.

TMP turbo-molecular pump.

ToF time-of-flight.

UHV ultra-high vacuum.

USB Universal Serial Bus.

VMMS Vertical Magnetic Monitoring System.

WGTS Windowless Gaseous Tritium Source.

WLS Wave-Length Shifting.

XML eXtensible Markup Language.

ZEUS Central DAQ and Control System.

References

- [1] KATRIN collaboration, *KATRIN design report*, FZKA scientific report 7090, (2005).
- [2] KATRIN collaboration, *Improved upper limit on the neutrino mass from a direct kinematic method by KATRIN*, *Phys. Rev. Lett.* **123** (2019) 221802 [[arXiv:1909.06048](#)].
- [3] E.W. Otten and C. Weinheimer, *Neutrino mass limit from tritium β decay*, *Rept. Prog. Phys.* **71** (2008) 086201 [[arXiv:0909.2104](#)].
- [4] G. Drexlin, V. Hannen, S. Mertens and C. Weinheimer, *Current direct neutrino mass experiments*, *Adv. High Energy Phys.* **2013** (2013) 293986 [[arXiv:1307.0101](#)].
- [5] J.A. Formaggio, A.L.C. de Gouvêa and R.G.H. Robertson, *Direct measurements of neutrino mass*, *Phys. Rept.* **914** (2021) 1 [[arXiv:2102.00594](#)].
- [6] C. Kraus et al., *Final results from phase II of the Mainz neutrino mass search in tritium beta decay*, *Eur. Phys. J. C* **40** (2005) 447 [[hep-ex/0412056](#)].
- [7] TROITSK collaboration, *An upper limit on electron antineutrino mass from Troitsk experiment*, *Phys. Rev. D* **84** (2011) 112003 [[arXiv:1108.5034](#)].
- [8] PARTICLE DATA GROUP collaboration, *Review of particle physics*, *Chin. Phys. C* **38** (2014) 090001.
- [9] V.M. Lobashev and P.E. Spivak, *A method for measuring the anti-electron-neutrino rest mass*, *Nucl. Instrum. Meth. A* **240** (1985) 305.
- [10] A. Picard et al., *A solenoid retarding spectrometer with high resolution and transmission for keV electrons*, *Nucl. Instrum. Meth. B* **63** (1992) 345.
- [11] KATRIN collaboration, *First transmission of electrons and ions through the KATRIN beamline*, *2018 JINST* **13** P04020 [[arXiv:1802.04167](#)].
- [12] M. Kleesiek et al., *β -decay spectrum, response function and statistical model for neutrino mass measurements with the KATRIN experiment*, *Eur. Phys. J. C* **79** (2019) 204 [[arXiv:1806.00369](#)].
- [13] J.F. Wilkerson et al., *Limit on $\bar{\nu}_e$ mass from free molecular tritium beta decay*, *Phys. Rev. Lett.* **58** (1987) 2023.
- [14] A.I. Belesev et al., *Results of the Troitsk experiment on the search for the electron anti-neutrino rest mass in tritium beta decay*, *Phys. Lett. B* **350** (1995) 263.
- [15] L. Dörr et al., *The closed tritium cycle of the Tritium Laboratory Karlsruhe*, *Fusion Sci. Technol.* **48** (2005) 262.
- [16] M. Babutzka et al., *Monitoring of the operating parameters of the KATRIN windowless gaseous tritium source*, *New J. Phys.* **14** (2012) 103046 [[arXiv:1205.5421](#)].
- [17] S. Grohmann et al., *Cryogenic design of the KATRIN source cryostat*, *AIP Conf. Proc.* **985** (2008) 1277.
- [18] S. Grohmann, *Stability analyses of the beam tube cooling system in the KATRIN source cryostat*, *Cryogenics* **49** (2009) 413.
- [19] KATRIN collaboration, *The KATRIN superconducting magnets: overview and first performance results*, *2018 JINST* **13** T08005 [[arXiv:1806.08312](#)].
- [20] R. Gehring, A. Osipowicz and C. Weinheimer, *Optimization calculations for the KATRIN magnet system*, *IEEE Trans. Appl. Superconduct.* **16** (2006) 1859.

- [21] W. Gil, G. Drexlin, T. Höhn and S. Wüstling, *Quench detection performance of the magnet safety system for the inductively coupled KATRIN source magnets*, *IEEE Trans. Appl. Superconduct.* **28** (2018) 1.
- [22] S. Grohmann, W. Gil, H. Neumann and C. Weiss, *Commissioning of the cryogenic transfer line for the KATRIN experiment*, *AIP Conf. Proc.* **1218** (2010) 1095.
- [23] D.R. Stull, *Vapor pressure of pure substances — inorganic compounds*, *Ind. Eng. Chem.* **39** (1947) 540.
- [24] H. Seitz-Moskaliuk, *Characterisation of the KATRIN tritium source and evaluation of systematic effects*, Ph.D. thesis, [Karlsruher Institut für Technologie \(KIT\)](#), Karlsruhe, Germany (2019).
- [25] C.W. Leming and G.L. Pollack, *Sublimation pressures of solid Ar, Kr, and Xe*, *Phys. Rev. B* **2** (1970) 3323.
- [26] A.V. Itterbeek, J.D. Boelpaep, O. Verbeke, F. Theeuwes and K. Staes, *Vapour pressure of liquid argon*, *Physica* **30** (1964) 2119.
- [27] S. Grohmann, T. Bode, H. Schön and M. Süßer, *Precise temperature measurement at 30 K in the KATRIN source cryostat*, *Cryogenics* **51** (2011) 438.
- [28] L.I. Bodine, D.S. Parno and R.G.H. Robertson, *Assessment of molecular effects on neutrino mass measurements from tritium β decay*, *Phys. Rev. C* **91** (2015) 035505 [[arXiv:1502.03497](#)].
- [29] KATRIN collaboration, *The Windowless Gaseous Tritium Source (WGTS) of the KATRIN experiment*, *J. Phys. Conf. Ser.* **888** (2017) 012071.
- [30] S. Grohmann, T. Bode, M. Hötzel, H. Schön, M. Süßer and T. Wahl, *The thermal behaviour of the tritium source in KATRIN*, *Cryogenics* **55-56** (2013) 5.
- [31] L. Kuckert, *The Windowless Gaseous Tritium Source of the KATRIN experiment — characterisation of gas dynamical and plasma properties*, Ph.D. thesis, [Karlsruher Institut für Technologie \(KIT\)](#), Karlsruhe, Germany (2016).
- [32] L. Kuckert et al., *Modelling of gas dynamical properties of the KATRIN tritium source and implications for the neutrino mass measurement*, *Vacuum* **158** (2018) 195 [[arXiv:1805.05313](#)].
- [33] F. Heizmann, *Analysis tools and methods for tritium data taking with the KATRIN experiment*, Ph.D. thesis, [Karlsruher Institut für Technologie \(KIT\)](#), Karlsruhe, Germany (2018).
- [34] O. Kazachenko et al., *Tritium processing loop for KATRIN experiment*, *Fusion Sci. Technol.* **54** (2008) 67.
- [35] S. Welte et al., *Experimental performance test of key components of the KATRIN outer tritium loop*, *Fusion Sci. Technol.* **71** (2017) 316.
- [36] S. Welte, U. Besserer, D. Osenberg and J. Wendel, *Tritium Laboratory Karlsruhe: administrative and technical framework for isotope laboratory operation*, *Fusion Sci. Technol.* **67** (2015) 635.
- [37] F. Priester, M. Sturm and B. Bornschein, *Commissioning and detailed results of KATRIN inner loop tritium processing system at Tritium Laboratory Karlsruhe*, *Vacuum* **116** (2015) 42.
- [38] F. Friedel et al., *Time-dependent simulation of the flow reduction of D_2 and T_2 in the KATRIN experiment*, *Vacuum* **159** (2019) 161 [[arXiv:1807.10126](#)].
- [39] S. Lukić et al., *Measurement of the gas-flow reduction factor of the KATRIN DPS2-F differential pumping section*, *Vacuum* **86** (2012) 1126 [[arXiv:1107.0220](#)].

- [40] W. Warburton and P. Pianetta, *A novel differential pump for synchrotron beamlines tests, models and applications*, *Nucl. Instrum. Meth. A* **291** (1990) 350.
- [41] M. Sturm and V. Popov, *Torque protection and flange connection with such torque protection*, patent no. DE102016114709 A1, WO2018028826 A1, patent holder KIT, filed 9 August 2016, issued 15 February 2018.
- [42] F. Priester and B. Bornschein, *TriToP — a compatibility experiment with turbomolecular pumps under tritium atmosphere*, *Vacuum* **98** (2013) 22.
- [43] KATRIN collaboration, *First operation of the KATRIN experiment with tritium*, *Eur. Phys. J. C* **80** (2020) 264 [[arXiv:1909.06069](https://arxiv.org/abs/1909.06069)].
- [44] A. Marsteller et al., *Neutral tritium gas reduction in the KATRIN differential pumping sections*, *Vacuum* **184** (2021) 109979.
- [45] W. Gil et al., *The cryogenic pumping section of the KATRIN experiment*, *IEEE Trans. Appl. Superconduct.* **20** (2010) 316.
- [46] W. Gil, T. Höhn, K. Petry and S. Wüstling, *Commissioning the magnet safety system of the cryogenic pumping section of KATRIN*, *IEEE Trans. Appl. Superconduct.* **27** (2017) 1.
- [47] S.A. Nepijko, I. Rabin and W. Schulze, *Morphology of frozen rare-gas layers*, *ChemPhysChem* **6** (2005) 235.
- [48] K. Jousten, *Handbook of vacuum technology*, John Wiley & Sons, U.S.A. (2008).
- [49] J.D. Boer, *Adsorption phenomena*, in *Advances in catalysis* **8**, Academic Press, (1956), pg. 17.
- [50] O. Kazachenko, B. Bornschein, L. Bornschein, F. Eichelhardt, N. Kernert and H. Neumann, *TRAP: a cryo-pump for pumping tritium on pre-condensed argon*, *Nucl. Instrum. Meth. A* **587** (2008) 136.
- [51] C. Röttele, *Results of the first cool-down of the KATRIN cryogenic pumping section*, *J. Phys. Conf. Ser.* **888** (2017) 012228.
- [52] R. Kersevan and J.-L. Pons, *Introduction to MOLFLOW+: new graphical processing unit-based Monte Carlo code for simulating molecular flows and for calculating angular coefficients in the compute unified device architecture environment*, *J. Vacuum Sci. Technol. A* **27** (2009) 1017.
- [53] C. Röttele, *Tritium suppression factor of the KATRIN transport section*, Ph.D. thesis, [Karlsruher Institut für Technologie \(KIT\)](https://www.kit.edu/), Karlsruhe, Germany (2019).
- [54] G. Beamson, H.Q. Porter and D.W. Turner, *The collimating and magnifying properties of a superconducting field photoelectron spectrometer*, *J. Phys. E* **13** (1980) 64.
- [55] F. Glück et al., *Electromagnetic design of the large-volume air coil system of the KATRIN experiment*, *New J. Phys.* **15** (2013) 083025 [[arXiv:1304.6569](https://arxiv.org/abs/1304.6569)].
- [56] N. Wandkowsky, *Study of background and transmission properties of the KATRIN spectrometers*, Ph.D. thesis, [Karlsruher Institut für Technologie \(KIT\)](https://www.kit.edu/), Karlsruhe, Germany (2013).
- [57] J.F. Amsbaugh et al., *Focal-plane detector system for the KATRIN experiment*, *Nucl. Instrum. Meth. A* **778** (2015) 40 [[arXiv:1404.2925](https://arxiv.org/abs/1404.2925)].
- [58] KATRIN collaboration, *Muon-induced background in the KATRIN main spectrometer*, *Astropart. Phys.* **108** (2019) 40 [[arXiv:1805.12173](https://arxiv.org/abs/1805.12173)].
- [59] KATRIN collaboration, *Gamma-induced background in the KATRIN main spectrometer*, *Eur. Phys. J. C* **79** (2019) 807 [[arXiv:1903.00563](https://arxiv.org/abs/1903.00563)].

- [60] G. Drexlin et al., *Calculations and TPMC simulations of the reduction of radioactive decays of a noble gas by cryo-panels*, *Vacuum* **138** (2017) 165.
- [61] J. Wolf and F. Harms, *Simulation and measurement of the suppression of radon induced background in the KATRIN experiment*, *AIP Conf. Proc.* **1921** (2018) 060001.
- [62] N. Wandkowsky, G. Drexlin, F.M. Fränkle, F. Glück, S. Groh and S. Mertens, *Validation of a model for radon-induced background processes in electrostatic spectrometers*, *J. Phys. G* **40** (2013) 085102 [[arXiv:1304.1379](#)].
- [63] F.M. Fränkle et al., *Radon induced background processes in the KATRIN pre-spectrometer*, *Astropart. Phys.* **35** (2011) 128 [[arXiv:1103.6238](#)].
- [64] S. Görhardt et al., *Impact of a cryogenic baffle system on the suppression of radon-induced background in the KATRIN pre-spectrometer*, *2018 JINST* **13** T10004 [[arXiv:1808.09168](#)].
- [65] KATRIN collaboration, *Reduction of stored-particle background by a magnetic pulse method at the KATRIN experiment*, *Eur. Phys. J. C* **78** (2018) 778 [[arXiv:1805.01163](#)].
- [66] S. Mertens et al., *Background due to stored electrons following nuclear decays in the KATRIN spectrometers and its impact on the neutrino mass sensitivity*, *Astropart. Phys.* **41** (2013) 52 [[arXiv:1204.6213](#)].
- [67] KATRIN collaboration, *Suppression of Penning discharges between the KATRIN spectrometers*, *Eur. Phys. J. C* **80** (2020) 821 [[arXiv:1911.09633](#)].
- [68] KATRIN collaboration, *Commissioning of the vacuum system of the KATRIN main spectrometer*, *2016 JINST* **11** P04011 [[arXiv:1603.01014](#)].
- [69] J. Wolf, *Size matters: the vacuum system of the KATRIN neutrino experiment*, *J. Vacuum Soc. Jpn.* **52** (2009) 278.
- [70] X. Luo, L. Bornschein, C. Day and J. Wolf, *KATRIN NEG pumping concept investigation*, *Vacuum* **81** (2007) 777.
- [71] L. Bornschein, *Outgassing measurements with a prototype for a large UHV spectrometer*, *AIP Conf. Proc.* **837** (2006) 200.
- [72] F.M. Fränkle, *Background investigations of the KATRIN pre-spectrometer*, Ph.D. thesis, [Karlsruher Institut für Technologie \(KIT\)](#), Karlsruhe, Germany (2010).
- [73] A. Kosmider, *Tritium retention techniques in the KATRIN transport section and commissioning of its DPS2-F cryostat*, Ph.D. thesis, [Karlsruher Institut für Technologie \(KIT\)](#), Karlsruhe, Germany (2012).
- [74] S. Görhardt, *Background reduction methods and vacuum technology at the KATRIN spectrometers*, Ph.D. thesis, [Karlsruher Institut für Technologie \(KIT\)](#), Karlsruhe, Germany (2014).
- [75] J. Kašpar, M. Ryšavý, A. Špalek and O. Dragoun, *Effect of energy scale imperfections on results of neutrino mass measurements from beta-decay*, *Nucl. Instrum. Meth. A* **527** (2004) 423.
- [76] KATRIN collaboration, *The wire electrode system for the KATRIN main spectrometer*, *Prog. Part. Nucl. Phys.* **64** (2010) 291.
- [77] M. Prall et al., *A contact-less 2-dimensional laser sensor for 3-dimensional wire position and tension measurements*, *IEEE Trans. Nucl. Sci.* **57** (2010) 787.
- [78] M. Prall, *Background reduction of the KATRIN spectrometers: transmission function of the pre-spectrometer and systematic test of the main-spectrometer wire electrode*, Ph.D. thesis, [Westfälische Wilhelms-Universität](#), Münster, Germany (2011).

- [79] B. Hillen, *Untersuchung von Methoden zur Unterdrückung des Spektrometeruntergrunds beim KATRIN Experiment* (in German), Ph.D. thesis, [Westfälische Wilhelms-Universität](#), Münster, Germany (2011).
- [80] D. Furse et al., *Kassiopeia: a modern, extensible C++ particle tracking package*, *New J. Phys.* **19** (2017) 053012 [[arXiv:1612.00262](#)].
- [81] M. Zacher, *High-field electrodes design and an angular-selective photoelectron source for the KATRIN spectrometers*, Ph.D. thesis, [Westfälische Wilhelms-Universität](#), Münster, Germany (2015).
- [82] D.F.R. Hilke, *Electric field simulations and electric dipole investigations at the KATRIN main spectrometer*, Ph.D. thesis, [Karlsruher Institut für Technologie \(KIT\)](#), Karlsruhe, Germany (2016).
- [83] T. Thümmler, R. Marx and C. Weinheimer, *Precision high voltage divider for the KATRIN experiment*, *New J. Phys.* **11** (2009) 103007 [[arXiv:0908.1523](#)].
- [84] S. Bauer et al., *Next generation KATRIN high precision voltage divider for voltages up to 65 kV*, *2013 JINST* **8** P10026 [[arXiv:1309.4955](#)].
- [85] O. Rest et al., *A novel ppm-precise absolute calibration method for precision high-voltage dividers*, *Metrologia* **56** (2019) 045007.
- [86] O. Rest, *Precision high voltage at the KATRIN experiment and new methods for an absolute calibration at ppm-level for high-voltage dividers*, Ph.D. thesis, [Westfälische Wilhelms-Universität](#), Münster, Germany (2019).
- [87] M. Arenz et al., *Calibration of high voltages at the ppm level by the difference of $^{83\text{m}}\text{Kr}$ conversion electron lines at the KATRIN experiment*, *Eur. Phys. J. C* **78** (2018) 368 [[arXiv:1802.05227](#)].
- [88] KATRIN collaboration, *Muon-induced background in the KATRIN main spectrometer*, *Astropart. Phys.* **108** (2019) 40 [[arXiv:1805.12173](#)].
- [89] M.G. Erhard, *Influence of the magnetic field on the transmission characteristics and neutrino mass systematic of the KATRIN experiment*, Ph.D. thesis, [Karlsruher Institut für Technologie \(KIT\)](#), Karlsruhe, Germany (2016).
- [90] M. Erhard et al., *Technical design and commissioning of the KATRIN large-volume air coil system*, *2018 JINST* **13** P02003 [[arXiv:1712.01078](#)].
- [91] J. Letnev et al., *Technical design and commissioning of a sensor net for fine-meshed measuring of the magnetic field at the KATRIN spectrometer*, *2018 JINST* **13** T08010 [[arXiv:1805.10819](#)].
- [92] M. Beck et al., *Effect of a sweeping conductive wire on electrons stored in the Penning trap between the KATRIN spectrometers*, *Eur. Phys. J. A* **44** (2010) 499 [[arXiv:0909.3337](#)].
- [93] B.A. VanDevender et al., *Performance of a TiN-coated monolithic silicon pin-diode array under mechanical stress*, *Nucl. Instrum. Meth. A* **673** (2012) 46 [[arXiv:1202.0320](#)].
- [94] M. Howe et al., *Sudbury neutrino observatory neutral current detector acquisition software overview*, *IEEE Trans. Nucl. Sci.* **51** (2004) 878.
- [95] V.T. Jordanov, G.F. Knoll, A.C. Huber and J.A. Pantazis, *Digital techniques for real-time pulse shaping in radiation measurements*, *Nucl. Instrum. Meth. A* **353** (1994) 261.
- [96] V.T. Jordanov and G.F. Knoll, *Digital synthesis of pulse shapes in real time for high resolution radiation spectroscopy*, *Nucl. Instrum. Meth. A* **345** (1994) 337.
- [97] L. Thorne, C. Rodenbeck and T. Thümmler, *High voltage monitoring and characterization at KATRIN*, [Zenodo](#), (2018).

- [98] T2K ND280 FGD collaboration, *The T2K fine-grained detectors*, *Nucl. Instrum. Meth. A* **696** (2012) 1 [[arXiv:1204.3666](#)].
- [99] M. Sturm et al., *Monitoring of all hydrogen isotopologues at tritium laboratory Karlsruhe using Raman spectroscopy*, *Laser Phys.* **20** (2009) 493.
- [100] D.J. Taylor, M. Glugla and R.-D. Penzhorn, *Enhanced Raman sensitivity using an actively stabilized external resonator*, *Rev. Sci. Instrum.* **72** (2001) 1970.
- [101] M. Schlösser et al., *Accurate calibration of the laser Raman system for the Karlsruhe tritium neutrino experiment*, *J. Molecular Struct.* **1044** (2013) 61.
- [102] M. Schlösser, S. Rupp, T. Brunst and T.M. James, *Relative intensity correction of Raman systems with national institute of standards and technology standard reference material 2242 in 90°-scattering geometry*, *Appl. Spectroscopy* **69** (2015) 597.
- [103] T.M. James et al., *Automated quantitative spectroscopic analysis combining background subtraction, cosmic ray removal, and peak fitting*, *Appl. Spectroscopy* **67** (2013) 949.
- [104] S. Fischer et al., *Monitoring of tritium purity during long-term circulation in the KATRIN test experiment LOOPINO using laser Raman spectroscopy*, *Fusion Sci. Technol.* **60** (2011) 925 [[arXiv:1208.1605](#)].
- [105] M. Aker et al., *Quantitative long-term monitoring of the circulating gases in the KATRIN experiment using Raman spectroscopy*, *Sensors* **20** (2020) 4827.
- [106] R.J. Lewis, H.H. Telle, B. Bornschein, O. Kazachenko, N. Kernert and M. Sturm, *Dynamic Raman spectroscopy of hydrogen isotopomer mixtures in-line at TILO*, *Laser Phys. Lett.* **5** (2008) 522.
- [107] A. Thompson et al., *X-ray data booklet*, Lawrence Berkeley National Laboratory, CA, U.S.A. (2009).
- [108] M. Röllig et al., *Activity monitoring of a gaseous tritium source by beta induced X-ray spectrometry*, *Fusion Eng. Design* **88** (2013) 1263.
- [109] L. Bornschein et al., *Status of the Karlsruhe tritium neutrino mass experiment KATRIN*, *Fusion Sci. Technol.* **71** (2017) 485.
- [110] E. Ellinger, *Development and investigation of the forward beam monitor for the KATRIN experiment*, Ph.D. thesis, [Bergische Universität Wuppertal](#), Wuppertal, Germany (2019).
- [111] A. Beglarian et al., *Forward beam monitor for the KATRIN experiment*, [arXiv:2101.11495](#).
- [112] E. Ellinger, N. Haußmann, K. Helbing, S. Hickford, M. Klein and U. Naumann, *Monitoring the KATRIN source properties within the beamline*, *J. Phys. Conf. Ser.* **888** (2017) 012229.
- [113] U. Schmitt, *Entwicklung eines Monitordetektors für das KATRIN-Experiment* (in German), Ph.D. thesis, [Universität Karlsruhe \(TH\)](#), Karlsruhe, Germany (2008).
- [114] M. Klein, *Tritium ions in KATRIN: blocking, removal and detection*, Ph.D. thesis, [Karlsruher Institut für Technologie \(KIT\)](#), Karlsruhe, Germany (2018).
- [115] F. Friedel, *Ion and plasma systematics during the first KATRIN neutrino mass measurements*, Ph.D. thesis, [Karlsruher Institut für Technologie \(KIT\)](#), Karlsruhe, Germany (2020).
- [116] E. Martin, *Electron detection systems for KATRIN detector and spectrometer section*, Ph.D. thesis, [University of Washington](#), Seattle, WA, U.S.A. (2017).
- [117] M. Ubieto-Díaz et al., *A broad-band FT-ICR penning trap system for KATRIN*, *Int. J. Mass Spectrom.* **288** (2009) 1.

- [118] M. Ubieta Díaz, *Off-line commissioning of a non-destructive FT-ICR detection system for monitoring the ion concentration in the KATRIN beamline*, Ph.D. thesis, [Ruperto-Carola University of Heidelberg](#), Heidelberg, Germany (2011).
- [119] M. Heck et al., *An online FT-ICR Penning-trap mass spectrometer for the DPS2-F section of the KATRIN experiment*, *Nucl. Instrum. Meth. A* **757** (2014) 54.
- [120] K. Blaum, *High-accuracy mass spectrometry with stored ions*, *Phys. Repts.* **425** (2006) 1.
- [121] A. Osipowicz et al., *A mobile magnetic sensor unit for the KATRIN main spectrometer*, *2012 JINST* **7 T06002** [[arXiv:1207.3926](#)].
- [122] NXP semiconductors (formerly Philips semiconductors), *Datasheet of magnetic field sensor type KMZ20M, product obsolete*, <https://www.te.com/usa-en/product-G-MRCO-003.html>, accessed 10 December 2020.
- [123] Bartington instruments, *Specifications of mag-03: three-axis magnetic field sensors*, https://www.bartington.com/wp-content/uploads/pdfs/datasheets/Mag-03_DS0013.pdf, accessed 10 December 2020.
- [124] M. Antoni, *Entwicklung eines Sensornetzes zur kontinuierlichen Magnetfeldüberwachung am KATRIN Hauptspektrometer* (in German), diploma thesis, [Karlsruher Institut für Technologie \(KIT\)](#), Karlsruhe, Germany (2013).
- [125] T. Thümmeler, *Präzisionsüberwachung und Kalibration der Hochspannung für das KATRIN-Experiment* (in German), Ph.D. thesis, [Westfälische Wilhelms-Universität](#), Münster, Germany (2007).
- [126] M. Slezák, *Monitoring of the energy scale in the KATRIN neutrino experiment*, Ph.D. thesis, [CERN-THESIS-2015-385](#), Charles University, Prague, Czech Republic (2015).
- [127] M. Kraus, *Energy-scale systematics at the KATRIN main spectrometer*, Ph.D. thesis, [Karlsruher Institut für Technologie \(KIT\)](#), Karlsruhe, Germany (2016).
- [128] M. Erhard et al., *High-voltage monitoring with a solenoid retarding spectrometer at the KATRIN experiment*, *2014 JINST* **9 P06022**.
- [129] M. Zbořil et al., *Ultra-stable implanted $^{83}\text{Rb}/^{83\text{m}}\text{Kr}$ electron sources for the energy scale monitoring in the KATRIN experiment*, *2013 JINST* **8 P03009** [[arXiv:1212.5016](#)].
- [130] D. Vénos, J. Sentkerestiová, O. Dragoun, M. Slezák, M. Ryšavý and A. Špalek, *Properties of $^{83\text{m}}\text{Kr}$ conversion electrons and their use in the KATRIN experiment*, *2018 JINST* **13 T02012**.
- [131] J. Sentkerestiová, O. Dragoun, O. Lebeda, M. Ryšavý, M. Sturm and D. Vénos, *Gaseous $^{83\text{m}}\text{Kr}$ generator for KATRIN*, *2018 JINST* **13 P04018**.
- [132] M.L. Arenz, *Production and PAC studies of $^{83}\text{Rb}/^{83\text{m}}\text{Kr}$ solid state calibration sources for the KATRIN experiment*, Ph.D. thesis, [Rheinische Friedrich-Wilhelms-Universität](#), Bonn, Germany (2017).
- [133] M. Slezák et al., *Electron line shape of the KATRIN monitor spectrometer*, *2013 JINST* **8 T12002**.
- [134] J. Behrens et al., *A pulsed, mono-energetic and angular-selective UV photo-electron source for the commissioning of the KATRIN experiment*, *Eur. Phys. J. C* **77** (2017) 410 [[arXiv:1703.05272](#)].
- [135] J.D. Behrens, *Design and commissioning of a mono-energetic photoelectron source and active background reduction by magnetic pulse at the KATRIN spectrometers*, Ph.D. thesis, [Westfälische Wilhelms-Universität](#), Münster, Germany (2016).

- [136] R. Sack, *Measurement of the energy loss of 18.6 keV electrons on deuterium gas and determination of the tritium Q -value at the KATRIN experiment*, Ph.D. thesis, [Westfälische Wilhelms-Universität, Münster, Germany](#) (2020).
- [137] J.P. Barrett, *A spatially resolved study of the KATRIN main spectrometer using a novel fast multipole method*, Ph.D. thesis, [Massachusetts Institute of Technology, Cambridge, MA, U.S.A.](#) (2017).
- [138] M. Babutzka, *Design and development for the rearsction of the KATRIN experiment*, Ph.D. thesis, [Karlsruher Institut für Technologie \(KIT\), Karlsruhe, Germany](#) (2014).
- [139] L. Schimpf, *Characterisation of energy loss processes of 18.6 keV electrons inside the windowless tritium source of KATRIN*, Ph.D. thesis, [Karlsruher Institut für Technologie \(KIT\), Karlsruhe, Germany](#) (2021).
- [140] K. Valerius et al., *Prototype of an angular-selective photoelectron calibration source for the KATRIN experiment*, [2011 JINST 6 P01002](#) [[arXiv:1011.6365](#)].
- [141] J. Bonn, L. Bornschein, B. Degen, E. Otten and C. Weinheimer, *A high resolution electrostatic time-of-flight spectrometer with adiabatic magnetic collimation*, [Nucl. Instrum. Meth. A 421 \(1999\) 256](#).
- [142] N.M.N. Steinbrink, J.D. Behrens, S. Mertens, P.C.-O. Ranitzsch and C. Weinheimer, *keV-scale sterile neutrino sensitivity estimation with time-of-flight spectroscopy in KATRIN using self-consistent approximate Monte Carlo*, [Eur. Phys. J. C 78 \(2018\) 212](#) [[arXiv:1710.04939](#)].
- [143] A. Fulst, A. Lokhov, M. Fedkevych, N. Steinbrink and C. Weinheimer, *Time-focusing time-of-flight, a new method to turn a MAC-E-filter into a quasi-differential spectrometer*, [Eur. Phys. J. C 80 \(2020\) 956](#) [[arXiv:2007.01020](#)].
- [144] N. Steinbrink, V. Hannen, E.L. Martin, R.G.H. Robertson, M. Zacher and C. Weinheimer, *Neutrino mass sensitivity by MAC-E-filter based time-of-flight spectroscopy with the example of KATRIN*, [New J. Phys. 15 \(2013\) 113020](#) [[arXiv:1308.0532](#)].
- [145] F. Block, *Magnetic field systematics and statistical data analysis tools for neutrino mass analysis with KATRIN (preliminary)*, Ph.D. thesis, [Karlsruher Institut für Technologie \(KIT\), Karlsruhe, Germany, to be published in \(2021\)](#).
- [146] S. Dyba, *Background reduction by the inner wire electrode and set-up of the condensed krypton source at the neutrino mass experiment KATRIN*, Ph.D. thesis, [Westfälische Wilhelms-Universität, Münster, Germany](#) (2019).
- [147] A. Fulst, *A novel quasi-differential method for MAC-E filters and determination and control of the electric potentials of the KATRIN experiment with a stabilized condensed krypton source and a UV illumination system*, Ph.D. thesis, [Westfälische Wilhelms-Universität, Münster, Germany](#) (2020).
- [148] M. Fedkevych, *Calibration and background reduction of the KATRIN experiment*, Ph.D. thesis, [Westfälische Wilhelms-Universität, Münster, Germany](#) (2019).
- [149] J. Wilkerson, T. Bowles, D. Knapp, M. Maley, R. Robertson and D. Wark, *Limit on mass from free molecular tritium beta decay*, [Nucl. Phys. A 478 \(1988\) 439](#).
- [150] S.T. Staggs, R.G.H. Robertson, D.L. Wark, P.P. Nguyen, J.F. Wilkerson and T.J. Bowles, *Energy of the 32 keV transition of $^{83}\text{Kr}^m$ and the atomic mass difference between ^3H and ^3He* , [Phys. Rev. C 39 \(1989\) 1503](#).
- [151] T. Bowles, R. Robertson, D. Wark, J. Wilkerson and D. Knapp, *Status of the Los Alamos tritium beta decay experiment*, [Nucl. Phys. B Proc. Suppl. 13 \(1990\) 514](#).

- [152] R.G.H. Robertson, T.J. Bowles, G.J. Stephenson, D.L. Wark, J.F. Wilkerson and D.A. Knapp, *Limit on anti-electron-neutrino mass from observation of the beta decay of molecular tritium*, *Phys. Rev. Lett.* **67** (1991) 957.
- [153] W. Stoeffl, D. Decman and J. Engle, *Status of the Livermore atomic tritium neutrino mass experiment*, in *Proceedings, 8th Moriond workshop*, (1988).
- [154] W. Stoeffl and D.J. Decman, *Anomalous structure in the beta decay of gaseous molecular tritium*, *Phys. Rev. Lett.* **75** (1995) 3237.
- [155] A.I. Belesev et al., *Investigation of space-charge effects in gaseous tritium as a source of distortions of the beta spectrum observed in the Troitsk neutrino-mass experiment*, *Phys. Atom. Nucl.* **71** (2008) 427.
- [156] PROJECT 8 collaboration, *Single electron detection and spectroscopy via relativistic cyclotron radiation*, *Phys. Rev. Lett.* **114** (2015) 162501 [[arXiv:1408.5362](#)].
- [157] D. Vénos et al., *Gaseous source of $^{83\text{m}}\text{Kr}$ conversion electrons for the neutrino experiment KATRIN*, 2014 *JINST* **9** P12010.
- [158] R. Brun and F. Rademakers, *ROOT: an object oriented data analysis framework*, *Nucl. Instrum. Meth. A* **389** (1997) 81.
- [159] S. Chilingaryan, A. Beglarian, A. Kopmann and S. Vöcking, *Advanced data extraction infrastructure: web based system for management of time series data*, *J. Phys. Conf. Ser.* **219** (2010) 042034.
- [160] I. Antcheva et al., *ROOT: a C++ framework for petabyte data storage, statistical analysis and visualization*, *Comput. Phys. Commun.* **180** (2009) 2499 [[arXiv:1508.07749](#)].
- [161] M. Kleesiek, *A data-analysis and sensitivity-optimization framework for the KATRIN experiment*, Ph.D. thesis, [Karlsruher Institut für Technologie \(KIT\)](#), Karlsruhe, Germany (2014).
- [162] R.A.V. Engelen, *A framework for service-oriented computing with C and C++ web service components*, *ACM Trans. Internet Technol.* **8** (2008) 1.
- [163] J. Hughes, *Why functional programming matters*, *Computer J.* **32** (1989) 98.
- [164] K. Altenmüller et al., *High-resolution spectroscopy of gaseous $^{83\text{m}}\text{Kr}$ conversion electrons with the KATRIN experiment*, *J. Phys. G* **47** (2020) 065002 [[arXiv:1903.06452](#)].