

MIT Open Access Articles

*Rapid Continuous Synthesis of 5#-Deoxyribonucleosides
in Flow via Brønsted Acid Catalyzed Glycosylation*

The MIT Faculty has made this article openly available. **Please share**
how this access benefits you. Your story matters.

Citation: Shen, Bo, and Timothy F. Jamison. Rapid Continuous Synthesis of 5#-Deoxyribonucleosides in Flow via Brønsted Acid Catalyzed Glycosylation. *Organic Letters* 14, no. 13 (July 6, 2012): 3348-3351.

As Published: <http://dx.doi.org/10.1021/ol301324g>

Publisher: American Chemical Society

Persistent URL: <http://hdl.handle.net/1721.1/79381>

Version: Author's final manuscript: final author's manuscript post peer review, without publisher's formatting or copy editing

Terms of Use: Article is made available in accordance with the publisher's policy and may be subject to US copyright law. Please refer to the publisher's site for terms of use.



Rapid Continuous Synthesis of 5'-Deoxy-Ribonucleosides in Flow via Brønsted Acid-Catalyzed Glycosylation

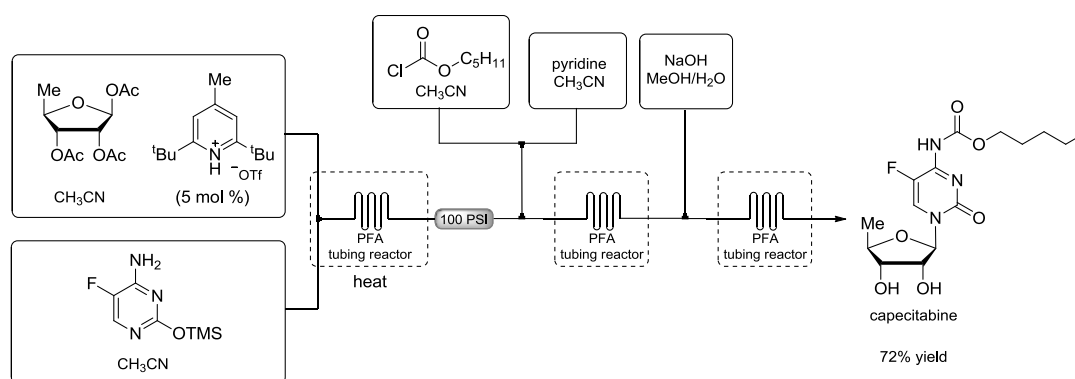
Bo Shen and Timothy F. Jamison*

Department of Chemistry, Massachusetts Institute of Technology, Cambridge, Massachusetts 02139, United States

tjj@mit.edu

Received Date (will be automatically inserted after manuscript is accepted)

ABSTRACT



A general, green, and efficient Brønsted acid-catalyzed glycosylation serves as a key step in the one-flow, multi-step syntheses of several important 5'-deoxy-ribonucleoside pharmaceuticals.

Compelling biological activities are associated with many deoxynucleosides.¹ Among them, 5'-deoxy-ribonucleosides, including doxifluridine (**1**), galocitabine (**2**) and capecitabine (**3**) (Figure 1), demonstrate potent anti-viral and anti-tumor effects. In particular, capecitabine is an important drug used for the treatment of breast and colorectal cancers.² Syntheses of some

specific 5'-deoxy-ribonucleoside targets have been reported,^{3,4} and in all cases the key glycosylation step is

¹ (a) Ichikawa, E.; Kato, K. *Curr. Med. Chem.* **2001**, *8*, 385. (b) Chu, C. K.; Baker, D. C.; Eds. *Nucleosides and Nucleotides as Antitumor and Antiviral Agents*; Plenum Press: New York, **1993**. (c) G. J. Peters, *Deoxynucleoside Analogs in Cancer Therapy*; Humana Press: Totowa, NJ **2006**. (d) P. Herdewijn, *Modified Nucleosides: in Biochemistry, Biotechnology and Medicine*, Wiley-VCH, Weinheim, **2008**. (e) Perigaud, C.; Gosselin, G.; Imbach, J. L. *Nucleosides Nucleotides* **1992**, *11*, 903.

² For reviews on capecitabine, see: (a) Walko, C. M.; Lindley, C. *Clin. Ther.* **2005**, *27*, 23. (b) Wagstaff, A. J.; Ibbotson, T.; Goa, K. L. *Drugs* **2003**, *63*, 217. (c) McGavin, J. K.; Goa, K. L. *Drugs* **2001**, *61*, 2309. (d) Koukourakis, G. V.; Kouloulis, V.; Koukourakis, M. J.; Zacharias, G. A.; Zabatis, H.; Kouvaris, J. *Molecules* **2008**, *13*, 1897. (e)

Malet-Martino, M.; Martino, R. *Oncologist* **2002**, *7*, 288. (f) Ishitsuka, H.; Shimma, N.; Horii, I. *J. Pharmaceut. Soc. Jap.* **1999**, *119*, 881.

³ Syntheses via glycosylation: (a) Moon, B. S.; Shim, A. Y.; Lee, K. C.; Lee, H. J.; Lee, B. S.; An, G. I.; Yang, S. D.; Chi, D. Y.; Choi, C. W.; Lim, S. M.; Chun, K. S. *Bull. Korean Chem. Soc.* **2005**, *26*, 1865. (b) Moon, B. S.; Lee, K. C.; Lee, H. J.; An, G. I.; Yang, S. D.; Chi, D. Y.; Chun, K. S. *J. Labelled Compd. Radiopharm.* **2005**, *48*, S201. (c) Fei, X. S.; Wang, J. Q.; Miller, K. D.; Sledge, G. W.; Hutchins, G. D.; Zheng, Q. H. *Nucl. Med. Biol.* **2004**, *31*, 1033. (d) Shimma, N.; Umeda, I.; Arasaki, M.; Murasaki, C.; Masubuchi, K.; Kohchi, Y.; Miwa, M.; Ura, M.; Sawada, N.; Tahara, H.; Kuruma, I.; Horii, I.; Ishitsuka, H. *Bioorg. Med. Chem.* **2000**, *8*, 1697. (e) Li, J. J.; Johnson, D. S., Eds. *Modern Drug Synthesis*; John Wiley & Sons, Hoboken, NJ **2010**, p 57–71, and references therein. Selected patents: (f) Brinkman, H. R.; Kalaritis, P.; Morrissey, J. F. US Pat. 5476932, Dec 19 1995. (g) Hu, T.-C.; Huang, H.-T. PCT Int. Appl. 2011010967, Jan 27, 2011. (h) Kamiya, T.; Ishiduka, M.; Nakajima, H. Eur. Pat. Appl. 602478, Jun 22, 1994. (i) Fujiu, M.; Ishitsuka, H.; Miwa, M.; Umeda, I.; Yokose, K. Eur. Pat. Appl. 316704, May 24, 1989. (j) Li, J.; He, B.; Shao, L.; Wang, L. PCT

effected using the Vorbrüggen modification of the silyl-Hilbert–Johnson reaction.^{5,6} This method joins a protected sugar (e.g., **4**) with silylated nitrogenous bases in the presence of a Lewis acid. However, the reaction generally requires several hours and a stoichiometric amount or excess of a Lewis acid, with SnCl₄ being the most commonly used. Aqueous work-up followed by extraction and separation, is required, generating copious amounts of waste. A greener and more efficient process for the synthesis of 5'-deoxy-ribonucleosides is highly desired. Herein we report an efficient synthesis of these valuable 5'-deoxy-ribonucleosides, a one-flow method that combines 2-3 steps into a single, telescoped procedure and affords the desired compounds rapidly (typically <10 minutes) and in high yields (typically >90%).

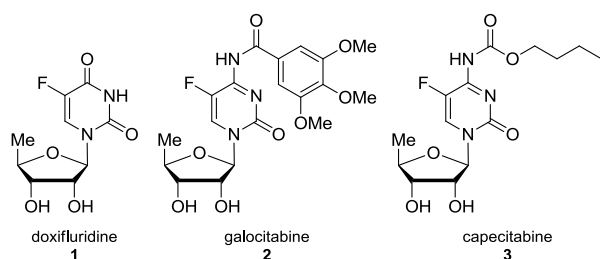


Figure 1. 5'-deoxy-ribonucleoside drugs

Continuous flow synthetic chemistry has emerged as a promising technology in the last decade, offering several advantages over traditional batch processes.^{7, 8} We

Int. Appl., 2005080351, Sep 01 2005. (k) Bertolini, G.; Frigerio, M., PCT Int. Appl., 2005040184, May 06, 2005.

⁴ Syntheses via modification of ribonucleosides: (a) Bavaro, T.; Rocchietti, S.; Ubiali, D.; Filice, M.; Terreni, M.; Pregolato, M. *Eur. J. Org. Chem.* **2009**, 1967. (b) Cotticelli, G.; De Meglio, G.; Monciardini, S.; Ordanini, G. *PCT Int. Appl.*, 9852960, Nov 26, 1998. (c) Cook, A. F. *Patentschrift (Switz.)*, 633810, Dec 31, 1982.

⁵ (a) Niedball, U.; Vorbrüggen, H. *Angew. Chem. Int. Ed.* **1970**, *9*, 461. (b) Vorbrüggen, H.; Krolkiewicz, K. *Angew. Chem. Int. Ed.* **1975**, *14*, 421. (c) Vorbrüggen, H.; Krolkiewicz, K.; Bennua, B. *Chem. Ber.* **1981**, *114*, 1234.

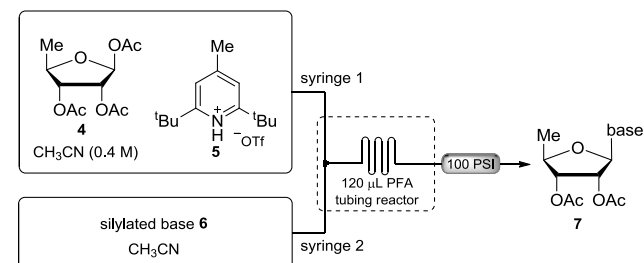
⁶ For a review on the synthesis of nucleosides, see: Vorbrüggen, H.; Ruh-Polenz, C. *Org. React.* **2000**, *55*, 1.

⁷ For recent general reviews on continuous flow chemistry see: a) Wiles, C.; Watts, P. *Chem. Commun.* **2011**, *47*, 6512. b) Wegner, J.; Ceylan, S.; Kirschning, A. *Chem. Commun.* **2011**, *47*, 4583. c) Hartman, R. L.; McMullen, J. P.; Jensen, K. F. *Angew. Chem. Int. Ed.* **2011**, *50*, 7502. d) Yoshida, J. I.; Kim, H.; Nagaki, A. *ChemSuschem* **2011**, *4*, 331. e) Illg, T.; Lob, P.; Hessel, V. *Bioorg. Med. Chem.* **2010**, *18*, 3707. f) Hartman, R. L.; Jensen, K. F. *Lab Chip* **2009**, *9*, 2495. g) Geyer, K.; Gustafsson, T.; Seeberger, P. H. *Synlett* **2009**, 2382. h) T. Wirth, *Microreactors in organic synthesis and catalysis*, Wiley-VCH, Weinheim, 2008. i) Fukuyama, T.; Rahman, T.; Sato, M.; Ryu, I. *Synlett* **2008**, 151. j) Mason, B. P.; Price, K. E.; Steinbacher, J. L.; Bogdan, A. R.; McQuade, D. T. *Chem. Rev.* **2007**, *107*, 2300. k) Watts, P.; Wiles, C. *Chem. Commun.* **2007**, 443. l) Kirschning, A.; Solodenko, W.; Mennecke, K. *Chem. Eur. J.* **2006**, *12*, 5972. m) Jahnisch, K.; Hessel, V.; Lowe, H.; Baerns, M. *Angew. Chem. Int. Ed.* **2004**, *43*, 406.

⁸ For reviews on the syntheses of pharmaceuticals by flow chemistry, see: a) Malet-Sanz, L.; Susanne, F. *J. Med. Chem.* **2012**, *55*, 4062. b) Proctor, L.; Dunn, P. J.; Hawkins, J. M.; Wells, A. S.; Williams, M. T. *Continuous Processing in the Pharmaceutical Industry*. In *Green Chemistry in the Pharmaceutical Industry*; Wiley-VCH: Weinheim, Germany, 2010; pp 221-242.

recently reported the first organocatalytic method for nucleobase glycosylation, a Brønsted acid-catalyzed C-N bond-forming reaction in flow that provides ribonucleosides in high yields.⁹ Pyridinium triflates, e.g., **5**, were found to be the superior catalysts.

Table 1. Brønsted acid-catalyzed glycosylation reaction in flow



entry ^a	silylated base 6	product 7	R	temp (°C)	t _r (min)	yield (%) ^b
1			a CH ₃	120	5	99 (0)
2			b F	100	5	55 (20)
3			b F	80	8	92 (6)
4 ^c			c H	80	12	89 (5)
5			d I	100	1	96 (0)
6			e NO ₂	100	3	92 (3)
7			f CF ₃	100	1	96 (0)
8 ^c			g	90	20	86 (5)
9			h	120	5	94 (0)
10			i	120	5	96 (0) ^d
11			j	100	4	88 (0)

^aAll reactions were performed using 1 equiv of sugar **4**, 1.1–2 equiv of silylated base **6** and 5 mol % catalyst **5**, unless otherwise noted. See Supporting Information for complete details. ^bIsolated yields. ^cBiglycosylation product yields in parantheses. ^d10 mol % catalyst **5** was used. ^eMixture of isomers N9:N7 = 5:1.

We thus began our present study with the glycosylation of silylated thymine **6a** by 5-deoxyribose donor **4**. A syringe pump was used to deliver the solution of the base and the sugar with the catalyst in two syringes. They were mixed in a T-mixer and reacted at an elevated

⁹ Sniady, A.; Bedore, M. W.; Jamison, T. F. *Angew. Chem. Int. Ed.* **2011**, *50*, 2155.

temperature in PFA tubing coils (120 μ L) as they flowed. A back pressure regulator (100 psi) was employed to allow reaction temperatures above the boiling point of solvent CH_3CN . We quickly identified that in the presence of 5 mol % catalyst **5**, the glycosylation of **6a** with 5-deoxyribose **4** was complete at 120 $^\circ\text{C}$ in only 5 min, affording 5'-deoxy-ribonucleoside **7a** in 99% yield and >98:2 dr (limit of detection) after purification via column chromatography (Table 1, entry 1). It is worth noting that no aqueous work-up was necessary, reducing labor, cost and waste.

Other pyrimidine derivatives were examined and individually optimized, rapidly (1–12 minutes) affording desired 5'-deoxy-nucleosides **7** in high yields (Table 1, entries 3–7). An important trend was observed that merits discussion: nucleophiles bearing electron-withdrawing groups were more reactive, requiring less time and lower temperature (cf. entries 1 vs. 7, and 3 vs. 4), consistent with our previous study wherein a ribose derivative was used as the glycosyl donor.⁹ Smaller nucleophiles tended to give small amounts of *N1,N3*-bisglycosylation products (entries 3–4, 6 and 8). Nevertheless, the formation of the desired monosubstitution product was favored at a lower temperature with extended reaction time (cf. entries 2 vs. 3, 55% vs. 92% yield, respectively).

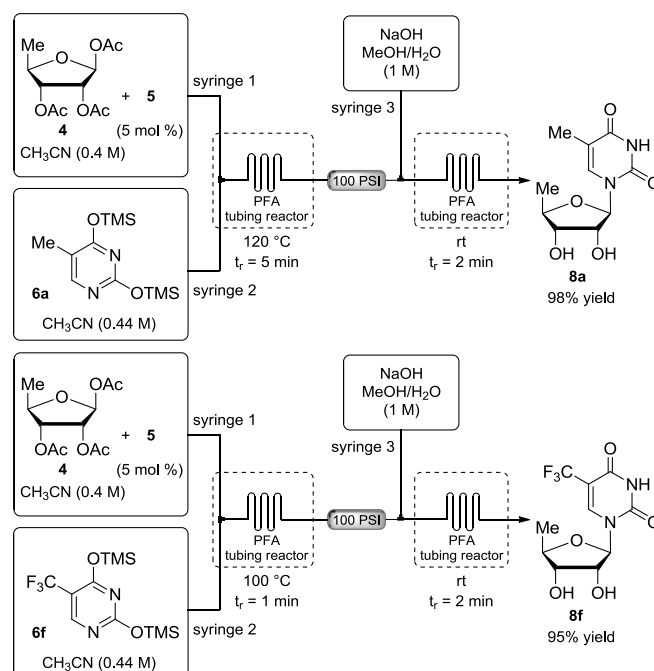
This glycosylation method encompasses other silylated bases, such as derivatives of naturally-occurring cytosine (**6g**), adenosine (**6h**) and guanine (**6i**), as well as the nonnatural imidazole derivative **6j** (entries 8–11). All were smoothly converted to the corresponding deoxynucleosides in high yield and, as above, >98:2 dr. In the case of guanine derivative **6i**, a mixture of regioisomers (*N9:N7* = 5:1) was obtained, similar to our previous observations.⁹

For a reaction with 0.4 M in sugar **4** and residence time of 5 min, using a 120 μ L tubing reactor, a throughput of 0.288 mmol/h was obtained (115 mg/h for MW of 400 based on 100% yield). Higher through-put can generally be achieved using reactors with a larger volume and faster flow rate under the same reaction conditions.

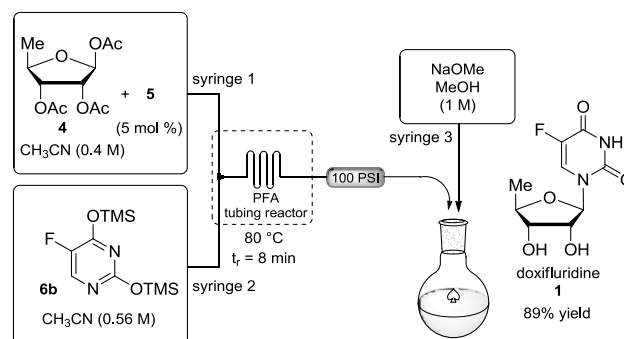
Multi-step synthesis in flow has emerged as a very effective strategy as it circumvents the need for purifying and isolating intermediate products.¹⁰ The very efficient heat transfer of the continuous flow format also allows drastic changes in reaction conditions from one step to the next; very rapid heating/cooling of the small reaction volumes is easily accomplished. We examined the one-flow, two-step synthesis of fully deprotected 5'-deoxy-ribonucleosides by introducing a solution of NaOH in methanol and water to the exiting stream of the glycosylation reaction (Scheme 1). The deprotection was complete in only 2 min at room temperature, affording **8a** and **8f** in excellent yields.¹¹ The use of methanol/water

mixture as the solvent is critical as it maintains the homogeneity of the reaction mixture. When only methanol was used, the product precipitated and clogged the tubing; when only water was used, the reaction mixture became biphasic, significantly slowing the reaction. Deprotection using methanolic ammonia (7*N*) was also examined, but in comparison was much more sluggish at room temperature.

Scheme 1. One-flow, two-step synthesis of 5'-deoxy-ribonucleosides



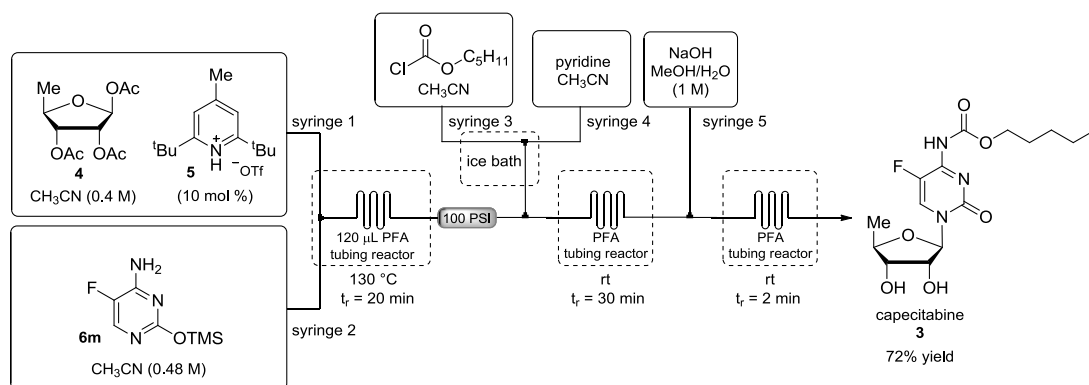
Scheme 2. Synthesis of doxifluridine



¹⁰ For reviews, see: a) Webb, D.; Jamison, T. F. *Chem. Sci.* **2010**, *1*, 675. b) Wegner, J.; Ceylan, S.; Kirschning, A. *Adv. Synth. Catal.* **2012**, *354*, 17.

¹¹ The product crude mixture was neutralized, concentrated and purified using column chromatography. See supporting information for experimental details.

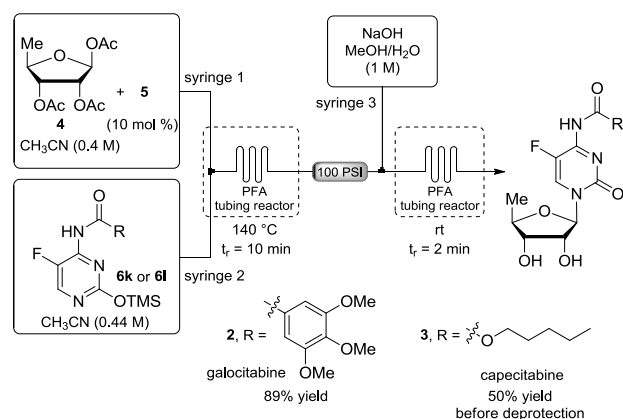
Scheme 4. One-flow three-step synthesis of capecitabine



We then investigated the one-flow, two-step synthesis of doxifluridine. Due to its poor solubility in methanol (even the presence of water could not prevent precipitation in this case), the streams of the glycosylation reaction and NaOMe were simultaneously introduced to a round-bottom flask, where the deprotection occurred (Scheme 2). We used NaOMe instead of NaOH for deprotection because the byproduct (methyl acetate) was easier to remove than acetic acid. Thus, doxifluridine (**1**) was obtained in 89% yield in only 10 min.

In order to synthesize galocitabine and capecitabine, silylated 5-fluorocytosine derivatives **6k** and **6l** were prepared and immediately used. Being much less reactive, these substrates required higher reaction temperature and 10 mol % catalyst **5**. The glycosylation of **6k** occurred smoothly at 140 °C, and upon deprotection provided galocitabine (**2**) in 89% yield (Scheme 3).

Scheme 3. Synthesis of galocitabine and capecitabine



However, the glycosylation of **6l** was accompanied with significant decomposition, resulting in only 50% yield of the corresponding product. An alternative

sequence that began with glycosylation of **6m** instead of carbamate **6l** provided a solution to this problem (Scheme 4). The more electron-rich and thus less nucleophilic **6m** was glycosylated in 20 min at 130 °C. The subsequent carbamate formation required 30 min at ambient temperature. Attempts to heat this stage in order to improve efficiency proved unfruitful. Critical are both mixing the chloroformate and pyridine at 0 °C and using the resulting mixture immediately; otherwise decomposition occurred. With 10 mol % pyridinium triflate **5**, this 3-step-in-1-flow protocol (glycosylation-carbamate formation-deprotection) afforded capecitabine (**3**) in 72% yield in less than 1 hour and is clearly greener and more efficient than any other previously reported processes.^{3a-j}

In summary, we have developed a general synthesis of 5'-deoxy-ribonucleosides by way of an organocatalytic glycosylation reaction in continuous flow. The use of a Brønsted acid as a catalyst renders this method greener and more efficient than those requiring stoichiometric amounts (or more) of Lewis acids. The one-flow, multi-step sequence circumvents purification of the intermediate products and produces unprotected 5'-deoxy-ribonucleosides in a streamlined manner, as demonstrated by the syntheses of the important compounds doxifluridine, galocitabine and capecitabine.

Acknowledgment The authors thank the Novartis-MIT Center for Continuous Manufacturing for their continued generosity and support.

Supporting Information Available: Complete experimental procedures and characterization data of novel compounds. This material is available free of charge via the Internet at <http://pubs.acs.org>.